



Chipsmall Limited consists of a professional team with an average of over 10 year of expertise in the distribution of electronic components. Based in Hongkong, we have already established firm and mutual-benefit business relationships with customers from,Europe,America and south Asia,supplying obsolete and hard-to-find components to meet their specific needs.

With the principle of "Quality Parts,Customers Priority,Honest Operation,and Considerate Service",our business mainly focus on the distribution of electronic components. Line cards we deal with include Microchip,ALPS,ROHM,Xilinx,Pulse,ON,Everlight and Freescale. Main products comprise IC,Modules,Potentiometer,IC Socket,Relay,Connector.Our parts cover such applications as commercial,industrial, and automotives areas.

We are looking forward to setting up business relationship with you and hope to provide you with the best service and solution. Let us make a better world for our industry!



Contact us

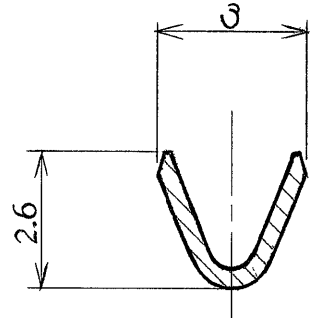
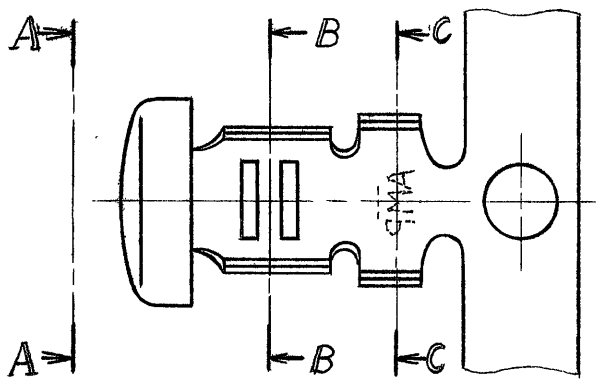
Tel: +86-755-8981 8866 Fax: +86-755-8427 6832

Email & Skype: info@chipsmall.com Web: www.chipsmall.com

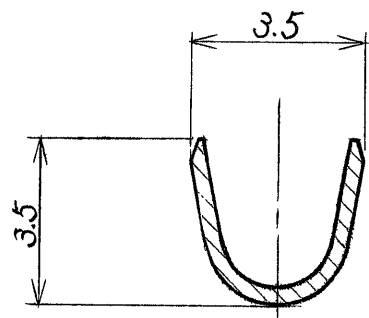
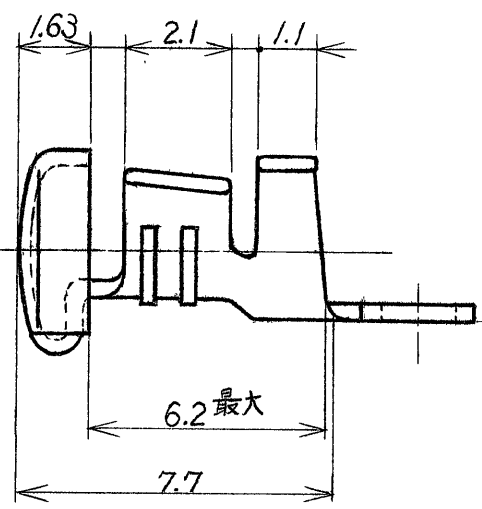
Address: A1208, Overseas Decoration Building, #122 Zhenhua RD., Futian, Shenzhen, China



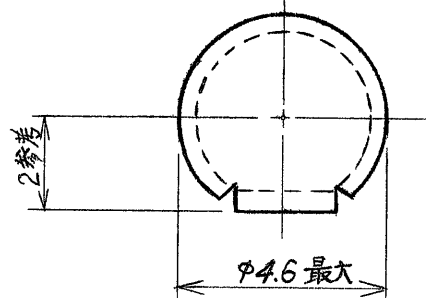
番号 (NUMBER)
C-170067



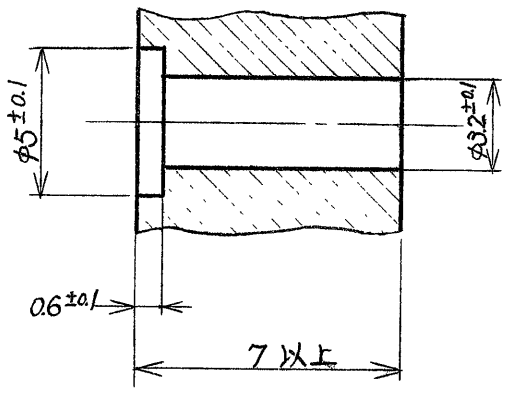
断面 B-B



断面 C-C



矢視 A-A



参考取付穴

黄銅 0.4t	錫めっき済	170067-3
黄銅 0.4t	—	170067-2
材質	仕上	型番

WAS CP 72-25/38

単位: 耗 DIMENSIONS IN MM DO NOT SCALE PRINT

©1974 日本エー・エム・ピー株式会社 AMP社の諸製品は特許又は特許出願中		©1974 BY AMP (Japan), Ltd ALL RIGHTS RESERVED AMP PRODUCTS COVERED BY PATENTS AND/OR PATENTS PENDING		参考図面 (CUSTOMER COPY) REFERENCE ONLY	
材料 (MATERIAL) 表参照		仕上 (FINISH) 表参照		AMP TRADE MARK 日本エー・エム・ピー株式会社 TOKYO, JAPAN	
抱合電線断面積 (WIRE RANGE) 0.3 ~ 0.89 mm ² (AWG 22-18)		被覆外径 (INSULATION DIA) 1.5 ~ 2.6 mm (060 ~ 105IN)		分類 (CLASS) —	
一般公差 { TOLERANCE EXCEPT AS NOTED } ±0.4 ±1°		尺度 (SCALE) —		型式 (TYPE) —	
LTR 変更 (REVISION RECORD)		DR	CHK	DATE	REV
DR. H. Shibasaki 4/19/74		DE.		LOC SIZE 番号 (NO)	
CHK T. Imaizumi 4/15/74		APP. Y. Sato 4/15/74		J A C-170067 E	
名称 (NAME) ボタン・コンタクト					