



Chipsmall Limited consists of a professional team with an average of over 10 year of expertise in the distribution of electronic components. Based in Hongkong, we have already established firm and mutual-benefit business relationships with customers from,Europe,America and south Asia,supplying obsolete and hard-to-find components to meet their specific needs.

With the principle of “Quality Parts,Customers Priority,Honest Operation,and Considerate Service”,our business mainly focus on the distribution of electronic components. Line cards we deal with include Microchip,ALPS,ROHM,Xilinx,Pulse,ON,Everlight and Freescale. Main products comprise IC,Modules,Potentiometer,IC Socket,Relay,Connector.Our parts cover such applications as commercial,industrial, and automotives areas.

We are looking forward to setting up business relationship with you and hope to provide you with the best service and solution. Let us make a better world for our industry!



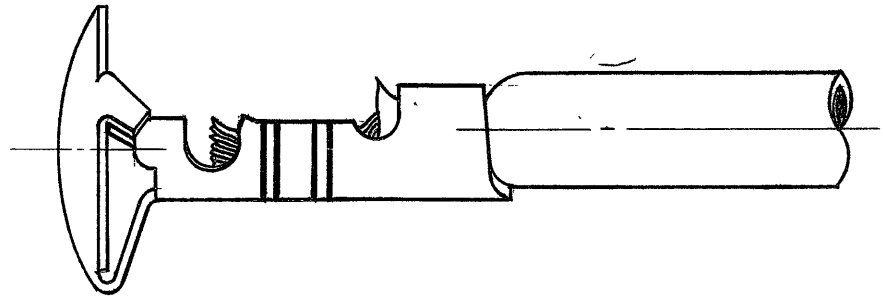
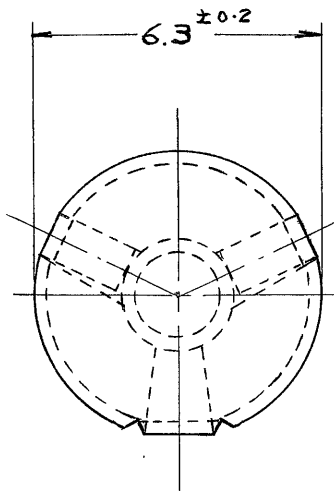
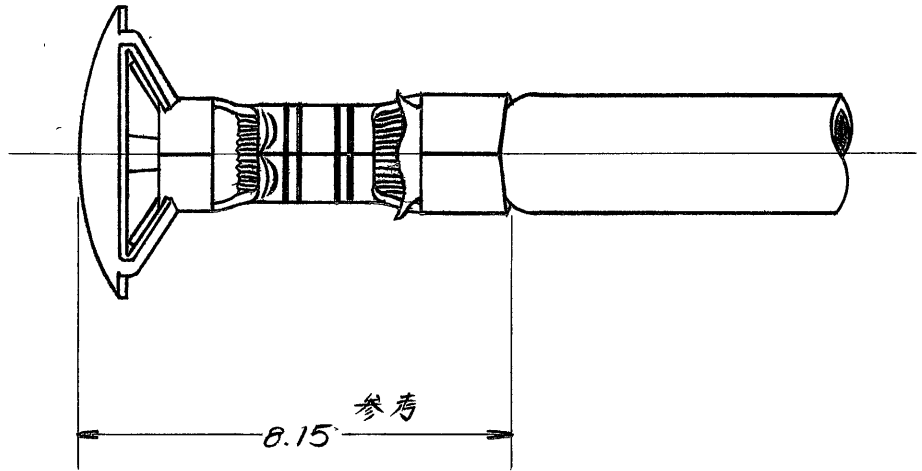
Contact us

Tel: +86-755-8981 8866 Fax: +86-755-8427 6832

Email & Skype: info@chipsmall.com Web: www.chipsmall.com

Address: A1208, Overseas Decoration Building, #122 Zhenhua RD., Futian, Shenzhen, China





型番	材質	仕上	備考
170061-1	黄銅, 板厚0.41	—	—
170061-2	” ”	錫めっき	—
170071-1	” ”	—	注記参照
170071-2	” ”	錫めっき	”

注: 170061の逆巻アミナル

単位: 耗 DIMENSIONS IN MM DO NOT SCALE PRINT

PRINT DIST

©1969 日本エー・エム・ピー株式会社 AMP社の諸製品は特許又は 特許出願中		©1969 BY AMP (Japan), Ltd ALL RIGHTS RESERVED AMP PRODUCTS COVERED BY PATENTS AND/OR PATENTS PENDING		参考図面 (CUSTOMER COPY REFERENCE ONLY)	
材料 (MATERIAL) 表参照		仕上 (FINISH) 表参照		AMP 日本エー・エム・ピー株式会社 TRADE MARK TOKYO, JAPAN	
B J2-2273 P-DWG REVISED (REV. B4) K.S. 4/2/69		A 8.15 WAS 8.37 (P-DWG REV. B) S.K. 2/26/69		分組 (CLASS.) —	
A1 ADDED 170071-1 & 2 (P-DWG REV. B2) S.K. 2/26/69		O RELEASED (P-DWG REV. A) S.K. 3/19/69		型式 (TYPE) オートマチック	
LTR 変更 (REVISION RECORD)		DR CHK DATE		抱合電線断面積 (WIRE RANGE) # 0.50 ~ 1.42 mm ² (AWG 20-16)	
DR S. Kosuga 3/20/69		DE. 3/20/69		被覆外径 (INSULATION DIA.) 2.29 ~ 3.18 mm (.090-.125IN)	
CHK. 3/20/69		APP T. Nakano 3/20/69		一般公差 (TOLERANCE EXCEPT AS NOTED) ±0.4	
				尺度 (SCALE) 6-1	
				LOC SIZE 番号 (NO) JA C-170061	
				REV B	
				名称 (NAME) ボタンコンタクト	