



Chipsmall Limited consists of a professional team with an average of over 10 year of expertise in the distribution of electronic components. Based in Hongkong, we have already established firm and mutual-benefit business relationships with customers from,Europe,America and south Asia,supplying obsolete and hard-to-find components to meet their specific needs.

With the principle of “Quality Parts,Customers Priority,Honest Operation,and Considerate Service”,our business mainly focus on the distribution of electronic components. Line cards we deal with include Microchip,ALPS,ROHM,Xilinx,Pulse,ON,Everlight and Freescale. Main products comprise IC,Modules,Potentiometer,IC Socket,Relay,Connector.Our parts cover such applications as commercial,industrial, and automotives areas.

We are looking forward to setting up business relationship with you and hope to provide you with the best service and solution. Let us make a better world for our industry!



Contact us

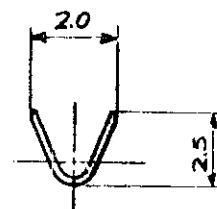
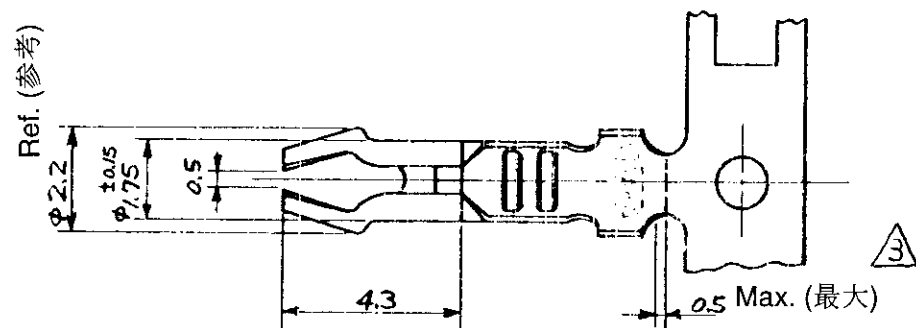
Tel: +86-755-8981 8866 Fax: +86-755-8427 6832

Email & Skype: info@chipsmall.com Web: www.chipsmall.com

Address: A1208, Overseas Decoration Building, #122 Zhenhua RD., Futian, Shenzhen, China



LOC	DIST	REVISIONS 変更					
J		P	LTR	DESCRIPTION	DATE	DWN	APVD
		L2		REVISED PER ECO-11-005140	05APR11	RK	HMR



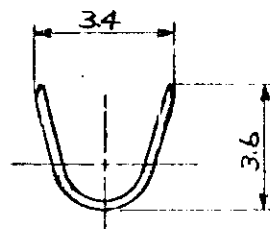
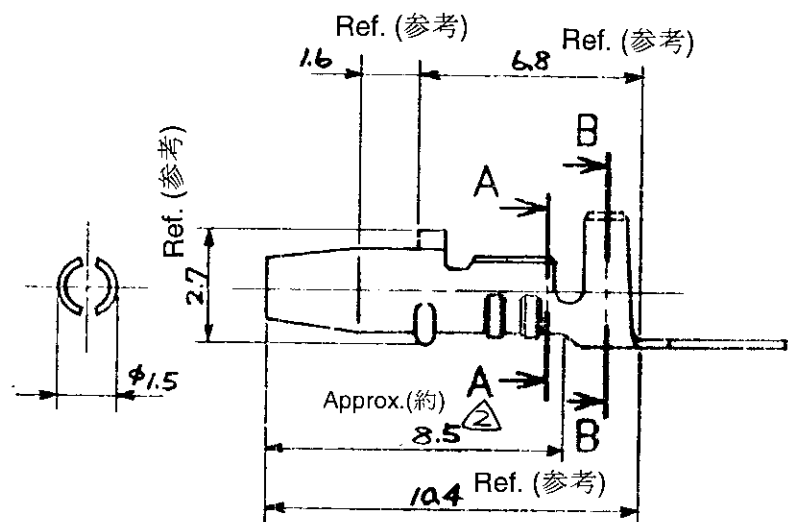
Sect A - A (断面 A-A)

注記

1. 取付用 PC 板下穴は、φ1.8~φ1.9 とする。
2. PC 板取付後、はんだの上がり位置は最大約 8.5 とする。
3. ばら端子の切断寸法。
4. 取付適用規格 114-5028

Notes

1. Outside diameter of the Printed Circuit Board trough hole must be 1.8~1.9.
2. Solder rising must be under the position.
3. Cutting position for Loose Piece Terminal.
4. Application Specification number : 114-5028



Sect B - B (断面 B-B)

	錫めっき済りん青銅 (Phosphor Bronze, Pre-Tin)	170072-6	
	錫めっき済りん青銅 (Phosphor Bronze, Pre-Tin)	170072-5	
錫めっき (Tin Plating)	黄銅 (Brass)	170072-4	
錫めっき (Tin Plating)	黄銅 (Brass)	170072-3	
	銅下地錫めっき済黄銅 (Brass, Pre-Tin Plating under Copper Plating)	170072-2	
	銅下地錫めっき済黄銅 (Brass, Pre-Tin Plating under Copper Plating)	170072-1	172769-1
仕上 (Finish)	材料 (Material)	連鎖状端子型番 (Strip Terminal P/N)	ばら状端子型番 (Loose Piece Terminal P/N)

WIRE RANGE 包含電線断面積	0.20 - 0.56 mm ² #24 - #20 AWG	INSULATION DIA 被覆外径	1.52 - 2.79 mm
-----------------------	--	------------------------	----------------

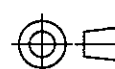


AMP- IN TERMINAL
(アンプイン ターミナル)

SIZE	CAGE CODE	DRAWING NO 番号	RESTRICTED TO
A3	00779	170072	-

THIS DRAWING IS A CONTROLLED DOCUMENT.

DIMENSIONS:
単位: 耗
MM



TOLERANCES UNLESS
OTHERWISE SPECIFIED:
一般公差

0 PLC	±	} ±0.4
1 PLC	±	
2 PLC	±	
3 PLC	±	
4 PLC	±	} ±1°
ANGLES	±	

MATERIAL
材料

SEE TABLE (表参照)

FINISH
仕上

SEE TABLE (表参照)

DWN
21 AUG 00
K. Komuro

CHK
SIA

APVD
SIA

PRODUCT SPEC
製品規格
108-5012

APPLICATION SPEC
取付適用規格
114-5028

WEIGHT

CUSTOMER DRAWING

SCALE
尺度 5:1

SHEET
1 OF 1

REV
L2