



Chipsmall Limited consists of a professional team with an average of over 10 year of expertise in the distribution of electronic components. Based in Hongkong, we have already established firm and mutual-benefit business relationships with customers from,Europe,America and south Asia,supplying obsolete and hard-to-find components to meet their specific needs.

With the principle of “Quality Parts,Customers Priority,Honest Operation,and Considerate Service”,our business mainly focus on the distribution of electronic components. Line cards we deal with include Microchip,ALPS,ROHM,Xilinx,Pulse,ON,Everlight and Freescale. Main products comprise IC,Modules,Potentiometer,IC Socket,Relay,Connector.Our parts cover such applications as commercial,industrial, and automotives areas.

We are looking forward to setting up business relationship with you and hope to provide you with the best service and solution. Let us make a better world for our industry!



Contact us

Tel: +86-755-8981 8866 Fax: +86-755-8427 6832

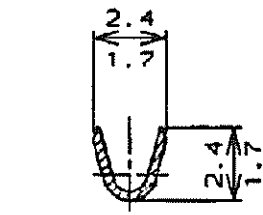
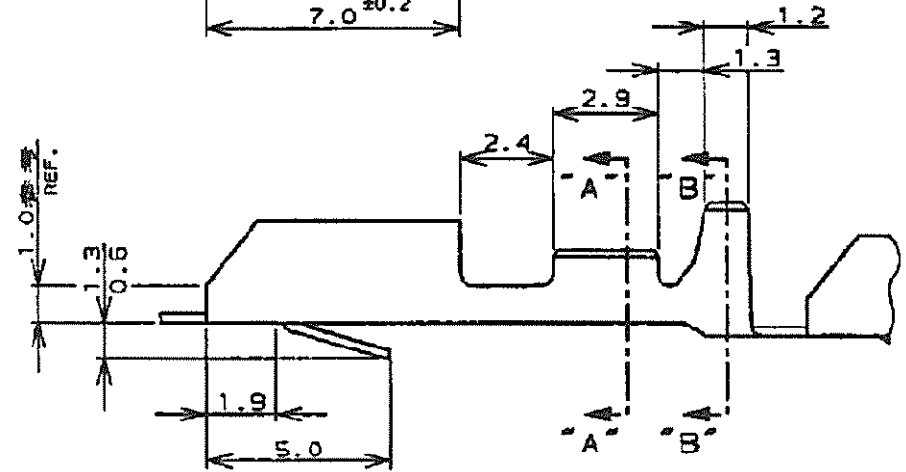
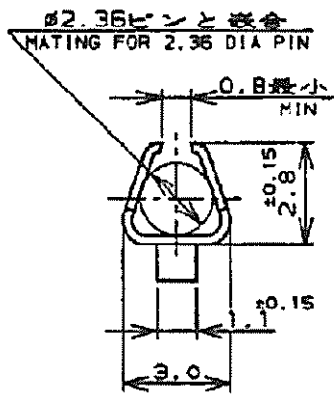
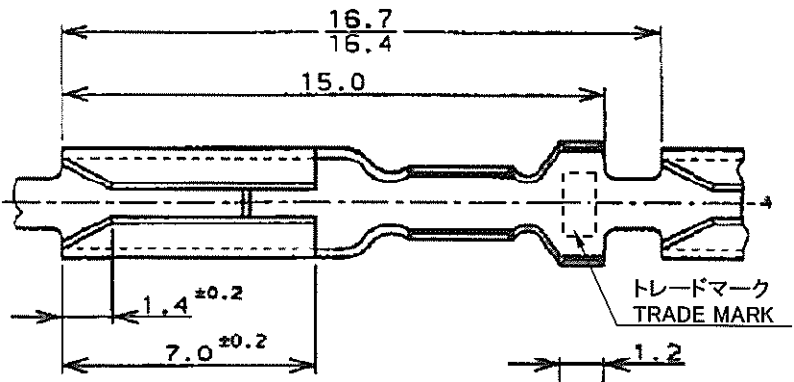
Email & Skype: info@chipsmall.com Web: www.chipsmall.com

Address: A1208, Overseas Decoration Building, #122 Zhenhua RD., Futian, Shenzhen, China

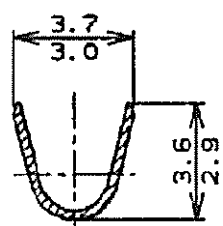


THIS DRAWING IS UNPUBLISHED. ALL RIGHTS RESERVED. 19

Loc	Q151	REVISIONS			DATE	DWN	APVD
J		P	LTR	DESCRIPTION	15APR2015	NK	LP
		M1		REVISED PER ECR-15-005548			



断面 "A" - "A" SECT.



断面 "B" - "B" SECT.

OBSOLETE	黄銅0.25t (BRASS)	170073-7
	錫めっき済・黄銅0.25t (PRE-TIN PHOS. BRONZE)	170073-6
	錫めっき済・黄銅0.25t (PRE-TIN BRASS)	170073-5
	錫めっき (POST-TIN) 黄銅0.25t (BRASS)	170073-2
	仕上 (FINISH) 材料 (MATERIAL)	型番 (PART NO.)

WIRE RANGE 仕上 電線断面積 0.2~0.56mm ² (AWG#24~#20)	INSULATION DIA 線径外径 1.2~2.79mm
--	--------------------------------------

DIMENSIONS: 単位 ㎜ mm

TOLERANCES UNLESS OTHERWISE SPECIFIED.

~~長さ 10mm ±0.2
 30mm ±0.25
 100mm ±0.3
 角度 ±0.3°~~

±0.25
±1.0°

DWN *N. Nishino* 3/24 96

CHK *S. Sugita* 24. APR '96

APVD *S. Sugita* 25 APR '95

PRODUCT SPEC
製品規格 108-5014
108-5054

APPLICATION SPEC
取付適用規格

WEIGHT

CUSTOMER DRAWING

MATERIAL 表参照 SEE TABLE

FINISH 仕上 表参照 SEE TABLE

STE TE Connectivity

NAME 名称 φ2.36用 ピン リセプタクル
2.36 DIA PIN RECEPTACLE

SIZE A4 CAGE CODE 00779 DRAWING NO. 番号 C=170073

SCALE 尺度 1:5 SHEET 1 OF 1 REV M1

顧客用図面