



Chipsmall Limited consists of a professional team with an average of over 10 year of expertise in the distribution of electronic components. Based in Hongkong, we have already established firm and mutual-benefit business relationships with customers from,Europe,America and south Asia,supplying obsolete and hard-to-find components to meet their specific needs.

With the principle of "Quality Parts,Customers Priority,Honest Operation,and Considerate Service",our business mainly focus on the distribution of electronic components. Line cards we deal with include Microchip,ALPS,ROHM,Xilinx,Pulse,ON,Everlight and Freescale. Main products comprise IC,Modules,Potentiometer,IC Socket,Relay,Connector.Our parts cover such applications as commercial,industrial, and automotives areas.

We are looking forward to setting up business relationship with you and hope to provide you with the best service and solution. Let us make a better world for our industry!



Contact us

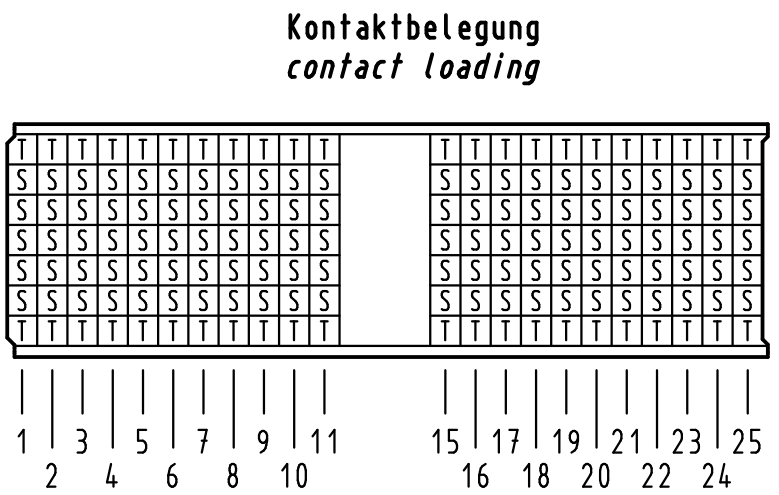
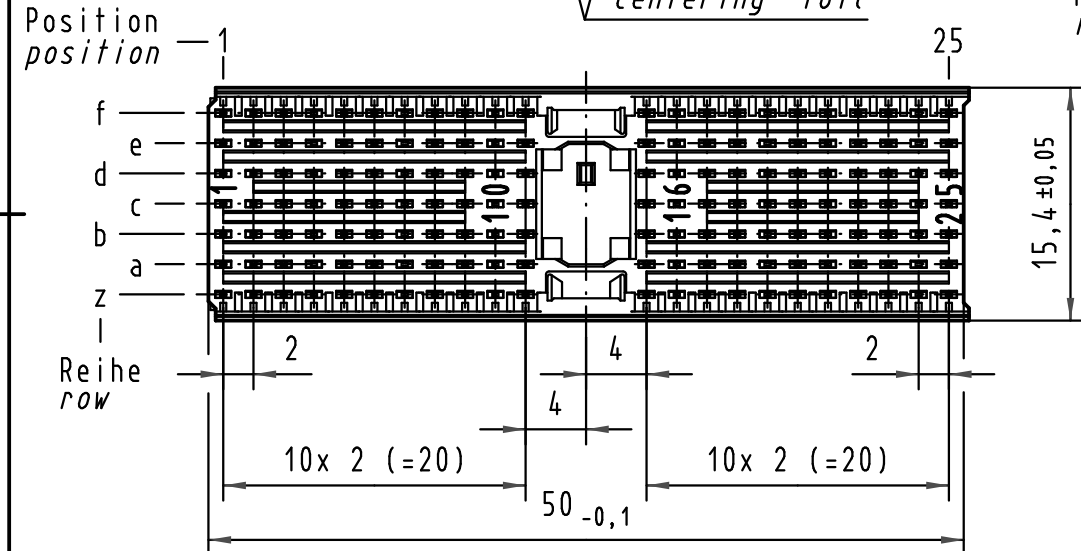
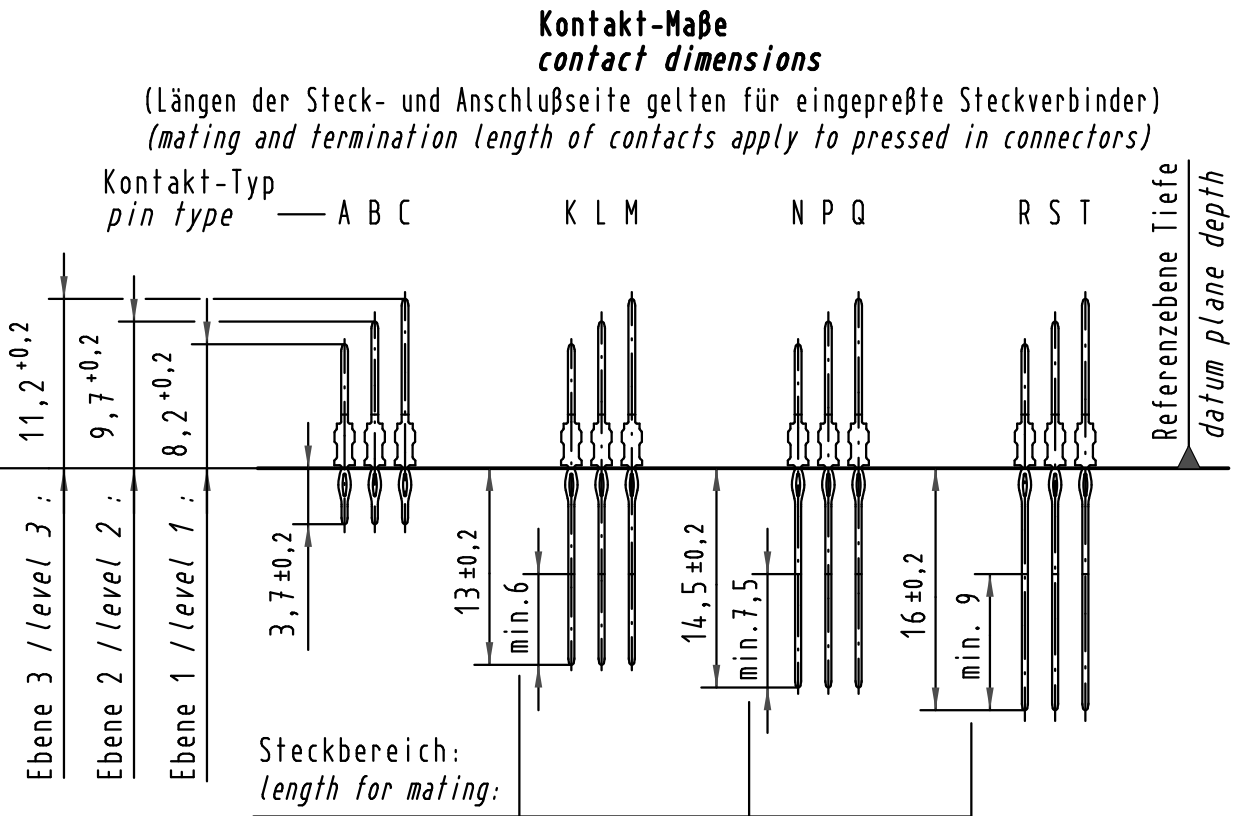
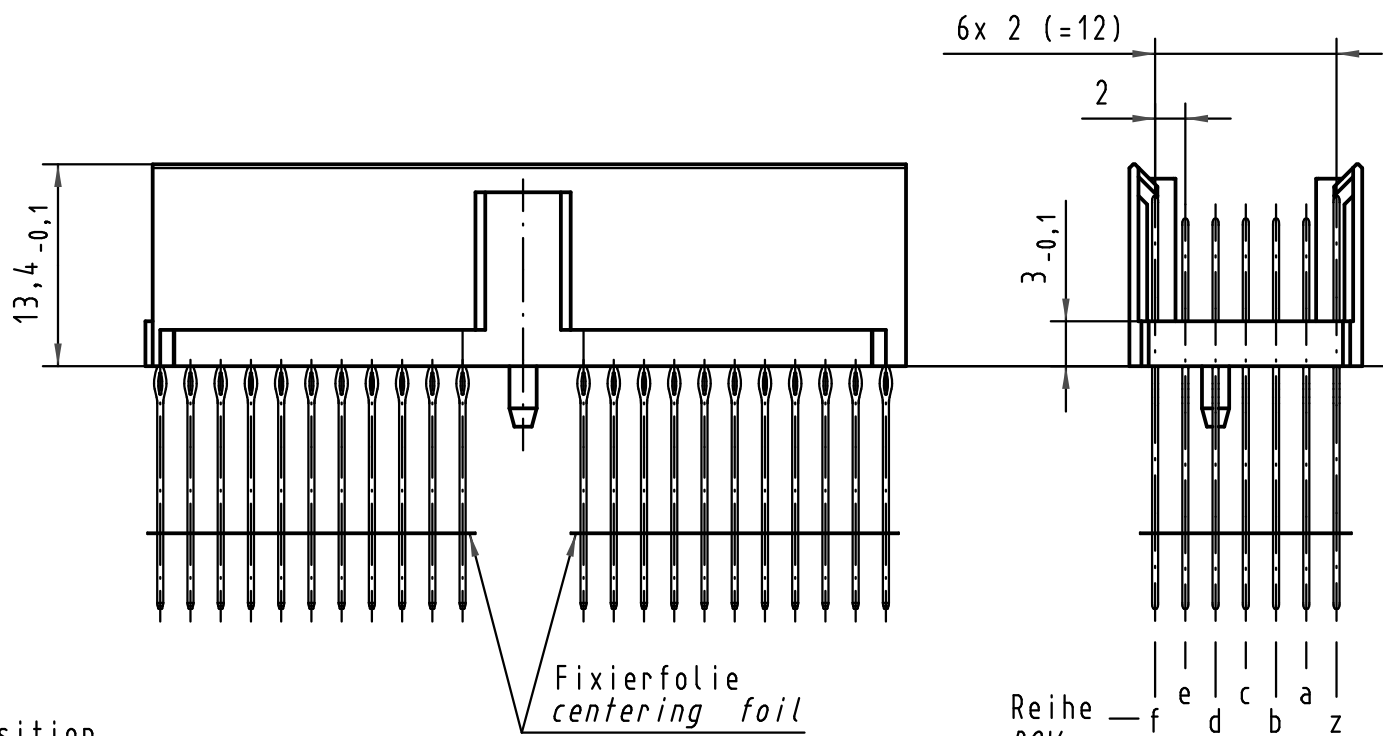
Tel: +86-755-8981 8866 Fax: +86-755-8427 6832

Email & Skype: info@chipsmall.com Web: www.chipsmall.com

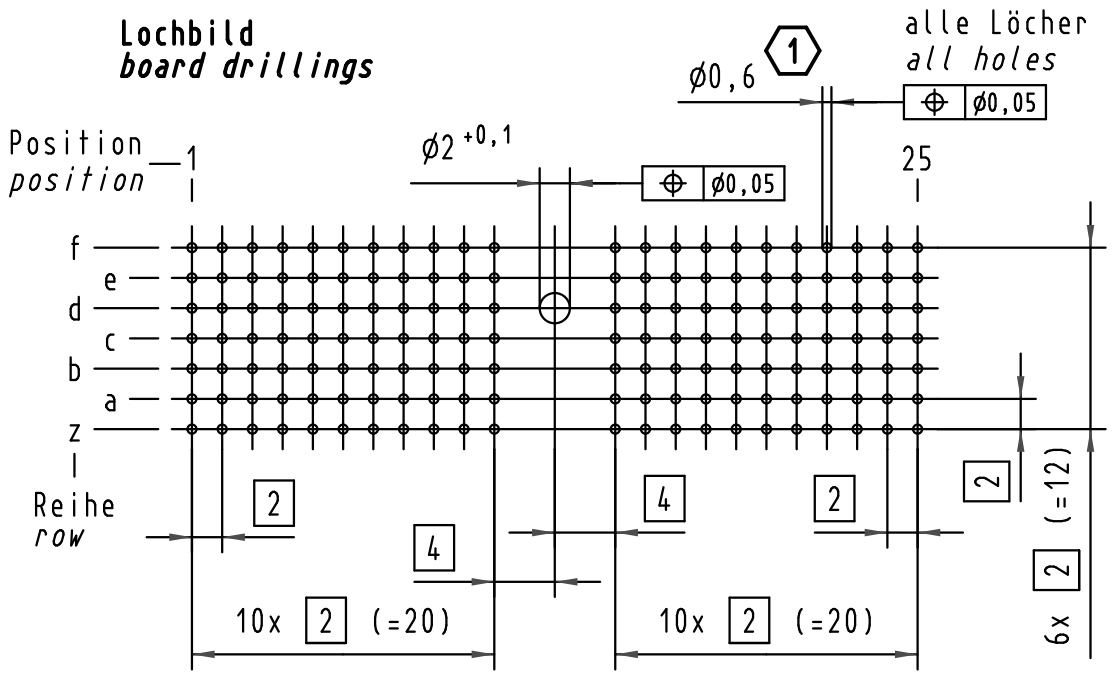
Address: A1208, Overseas Decoration Building, #122 Zhenhua RD., Futian, Shenzhen, China



Alle Rechte vorbehalten/ All rights reserved



Lochbild board drillings



1 Empfohlener Lochaufbau und weitere Informationen siehe: DS 17 00 110 0101
recommended configuration of plated through holes and further information see: DS 17 00 110 0101

17 01 154 4604	S4
17 01 154 2604	2
17 01 154 1604	1
Bestell-Nr. part-no.	Anforderungsstufe performance level 1

All Dimensions in mm Original Size DIN A 3			Techn. Character.			Nicht tolerierte Ma�el Free size tolerances IEC 61076-4-101			
			Dat.		Name	Ma�stab/Scale	har-bus HM Messerleiste Typ A 154pol., Anschlu�blange 16mm har-bus HM male connector type A 154pol., termination length 16mm		
			Detail.		17.12.99	HL.			
35947			11.12.09		Hage.	Insp.		17.12.99	Pa.
34337			16.05.07		Cl a	Stand.			
29375			29.03.01		HL.				
26988									
Mod.			Dat.		Name	HARTING Electronics GmbH & Co. KG D-32339 ESPELKAMP		HARTING	TB 17 01 154 x604
								Sub.	Blatt/page