



Chipsmall Limited consists of a professional team with an average of over 10 year of expertise in the distribution of electronic components. Based in Hongkong, we have already established firm and mutual-benefit business relationships with customers from,Europe,America and south Asia,supplying obsolete and hard-to-find components to meet their specific needs.

With the principle of "Quality Parts,Customers Priority,Honest Operation,and Considerate Service",our business mainly focus on the distribution of electronic components. Line cards we deal with include Microchip,ALPS,ROHM,Xilinx,Pulse,ON,Everlight and Freescale. Main products comprise IC,Modules,Potentiometer,IC Socket,Relay,Connector.Our parts cover such applications as commercial,industrial, and automotives areas.

We are looking forward to setting up business relationship with you and hope to provide you with the best service and solution. Let us make a better world for our industry!



Contact us

Tel: +86-755-8981 8866 Fax: +86-755-8427 6832

Email & Skype: info@chipsmall.com Web: www.chipsmall.com

Address: A1208, Overseas Decoration Building, #122 Zhenhua RD., Futian, Shenzhen, China



CIOC 4-1-FV-A


Order No.: 1701388



<http://eshop.phoenixcontact.de/phoenix/treeViewClick.do?UID=1701388>

Header, Nominal current: 3 A, Number of positions: 4, Pitch: 2 mm,
Color: black, Metal surface: Au, Assembly: Soldering

Commercial data

GTIN (EAN)	 4 046356 030496
sales group	E194
Pack	100 pcs.
Customs tariff	85366990
Catalog page information	Page 177 (NTK-2010)

Product notes

WEEE/RoHS-compliant since:
02/25/2005



<http://www.download.phoenixcontact.com>
Please note that the data given here has been taken from the online catalog. For comprehensive information and data, please refer to the user documentation. The General Terms and Conditions of Use apply to Internet downloads.

Technical data

Dimensions / positions

Pitch	2 mm
Dimension a	6 mm
Number of positions	4
Pin spacing	2.00 mm

Technical data

Range of articles	CIOC-FV
Connection in acc. with standard	EN-VDE
Nominal current I_N	3 A
Nominal voltage U_N	32 V
Maximum load current	3 A
Insulating material	PA
Inflammability class acc. to UL 94	V0

Certificates / Approvals

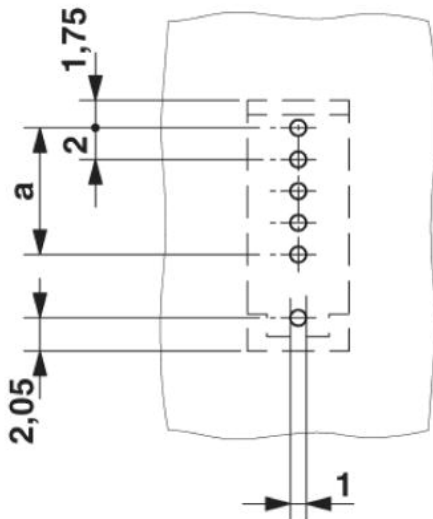


Certification

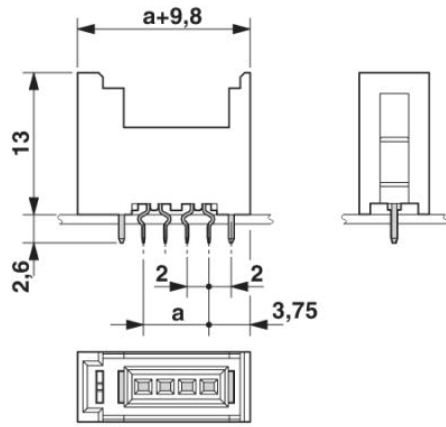
CUL, UL

Diagrams/Drawings

Drilling plan/solder pad geometry



Dimensioned drawing



Address

PHOENIX CONTACT Deutschland GmbH
Flachmarktstr. 8
32825 Blomberg, Germany
Phone +49 5235 3 12000
Fax +49 5235 3 41200
<http://www.phoenixcontact.de>



© 2010 Phoenix Contact
Technical modifications reserved;