



Chipsmall Limited consists of a professional team with an average of over 10 year of expertise in the distribution of electronic components. Based in Hongkong, we have already established firm and mutual-benefit business relationships with customers from,Europe,America and south Asia,supplying obsolete and hard-to-find components to meet their specific needs.

With the principle of “Quality Parts,Customers Priority,Honest Operation,and Considerate Service”,our business mainly focus on the distribution of electronic components. Line cards we deal with include Microchip,ALPS,ROHM,Xilinx,Pulse,ON,Everlight and Freescale. Main products comprise IC,Modules,Potentiometer,IC Socket,Relay,Connector.Our parts cover such applications as commercial,industrial, and automotives areas.

We are looking forward to setting up business relationship with you and hope to provide you with the best service and solution. Let us make a better world for our industry!



## Contact us

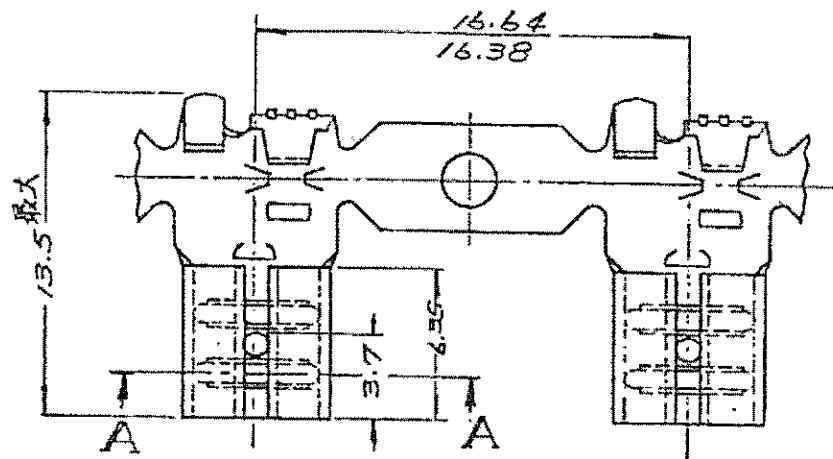
Tel: +86-755-8981 8866 Fax: +86-755-8427 6832

Email & Skype: info@chipsmall.com Web: www.chipsmall.com

Address: A1208, Overseas Decoration Building, #122 Zhenhua RD., Futian, Shenzhen, China



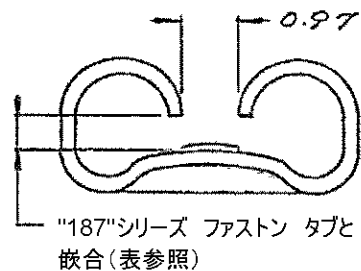
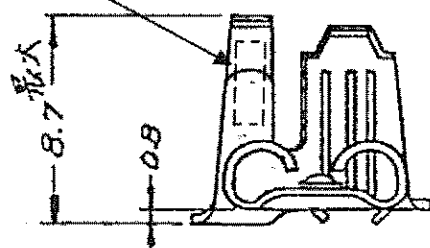
REVISED PER ECR-15-016623		DATE	OWN	APVD
D5	REVISED PER ECR-15-016623	12NOV2015	K.S	T.D



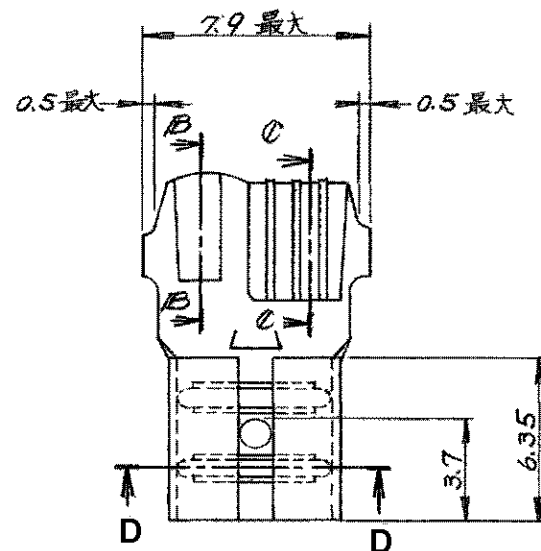
□ - 170140 - □

連鎖状 STRIP

TRADE MARK  
トレードマーク

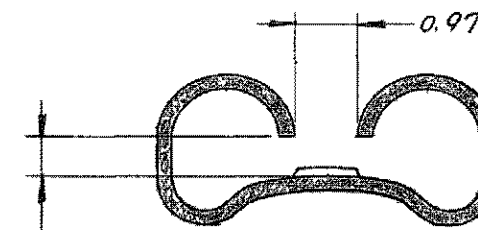


A - A

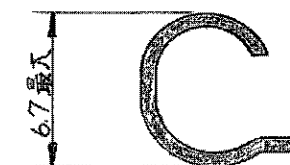


170141 - □

バラ状 LOOSE



D - D



B - B



C - C

1. 嵌合するファストン タブの詳細については CP63-046J の図面を参照のこと。

2. ストレス除去処理  
処理法により外観が変わります。  
不活性ガス加熱方式.....無光沢  
大気加熱方式.....光沢

1. SEE DRAWING CP63-046J FOR THE DETAIL OF MATING TAB
2. STRESS RELIEVING  
FINISH IS SUBJECT TO CHANGE BY THE TYPE OF  
STRESS RELIEVING PRECESS  
INSERT GAS FURNAS.....MATTE  
ATMOSPHERIC FURNAS FOLLOWED BY ACID PICKLE.....BRIGHT

3. OBSOLETE PARTS: OBSOLETE CIS STREAMLINING PER D.RENAUD/D.SINISI

連鎖状端子型番	バラ状端子型番 (パレルはワリワリ)	材 料	仕 上	嵌合厚打厚 ±0.025
170140-1	170141-1	黄銅 0.3t	—△	0.5t
170140-2	170141-2	黄銅 0.3t	錫めっき	0.5t
170140-5	170141-3	黄銅 0.3t	—△	0.6t
170140-6	170141-4	黄銅 0.3t	錫めっき	0.6t
1-170140-1	△ 1-170141-1	黄銅 0.3t	—△	0.5t
1-170140-2	△ 1-170141-2	黄銅 0.3t	錫めっき	0.5t
1-170140-3	△ 1-170141-3	錫めっき黄銅 0.3t	—△	0.5t

WIRE RANGE 適合電線断面積	INSULATION DIA 線径外径
0.5~1.42 mm <sup>2</sup> (AWG #20-16)	2.79~4.32 mm (.110~.170 IN)

DIMENSIONS 単位: mm		TOLERANCES UNLESS OTHERWISE SPECIFIED		TE Connectivity		
		一般公差 100 > 30 : ±0.2 30 > 10 : ±0.25 10 > 3 : ±0.3 3 > 1 : ±0.4 1 > 0 : ±1.0		108-5067 APPLICATION SPEC		NAME 名称 ("187" SERIES FLAG FASTON RECEPTACLE) "187"シリーズ フラグ ファストン リセプタクル
MATERIAL 材料		FINISH 仕上		SIZE	DRAWING NO	
表参照 (SEE TABLE)		表参照 (SEE TABLE)		A3	00779	
CUSTOMER DRAWING				SCALE 尺 4-1	SHEET 1 OF 1	

D

C

B

A