



Chipsmall Limited consists of a professional team with an average of over 10 year of expertise in the distribution of electronic components. Based in Hongkong, we have already established firm and mutual-benefit business relationships with customers from,Europe,America and south Asia,supplying obsolete and hard-to-find components to meet their specific needs.

With the principle of “Quality Parts,Customers Priority,Honest Operation,and Considerate Service”,our business mainly focus on the distribution of electronic components. Line cards we deal with include Microchip,ALPS,ROHM,Xilinx,Pulse,ON,Everlight and Freescale. Main products comprise IC,Modules,Potentiometer,IC Socket,Relay,Connector.Our parts cover such applications as commercial,industrial, and automotives areas.

We are looking forward to setting up business relationship with you and hope to provide you with the best service and solution. Let us make a better world for our industry!



## Contact us

Tel: +86-755-8981 8866 Fax: +86-755-8427 6832

Email & Skype: info@chipsmall.com Web: www.chipsmall.com

Address: A1208, Overseas Decoration Building, #122 Zhenhua RD., Futian, Shenzhen, China



4

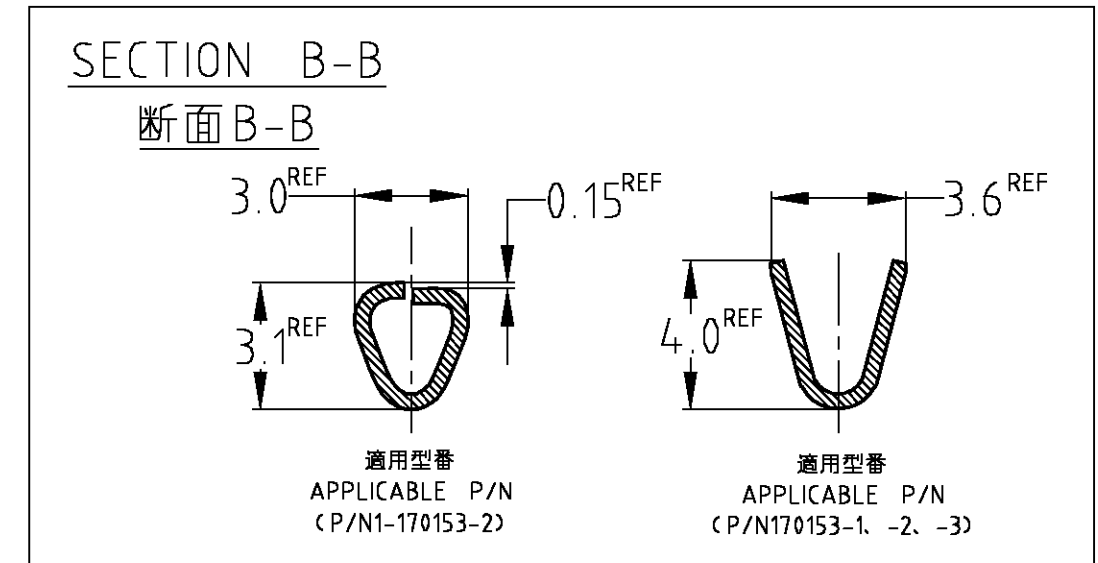
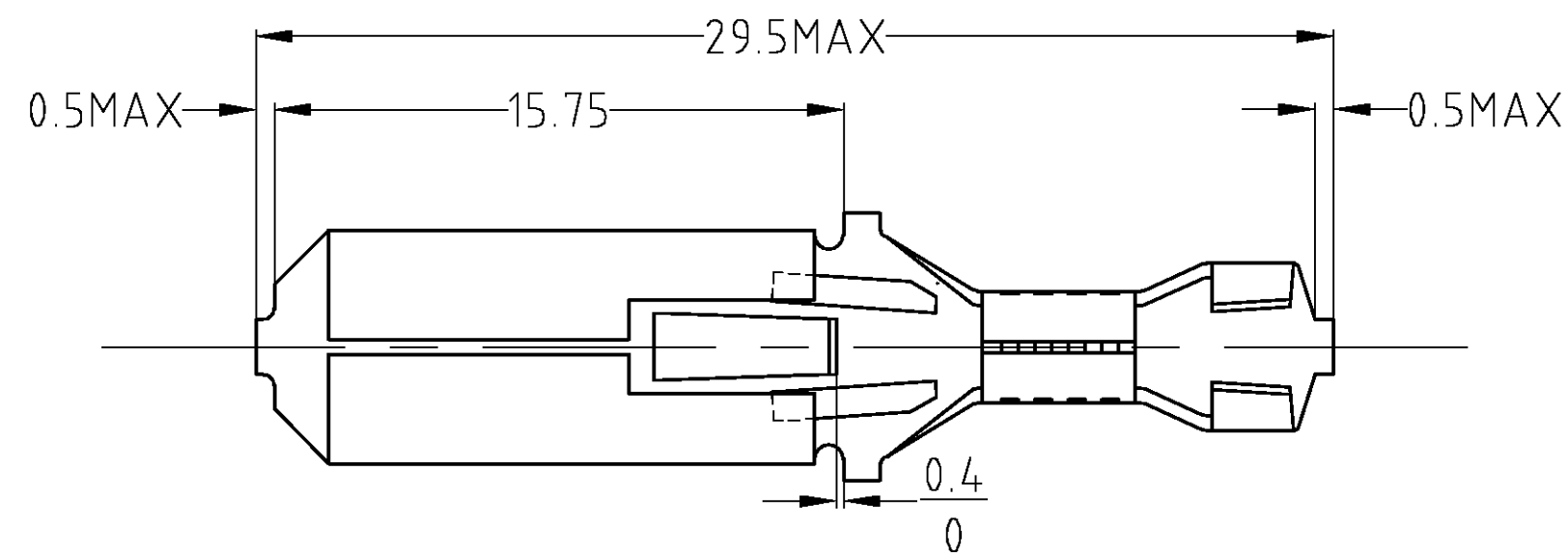
3

2

1

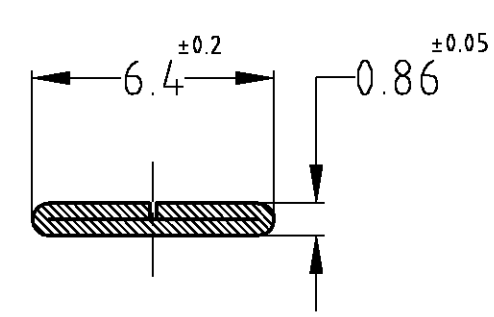
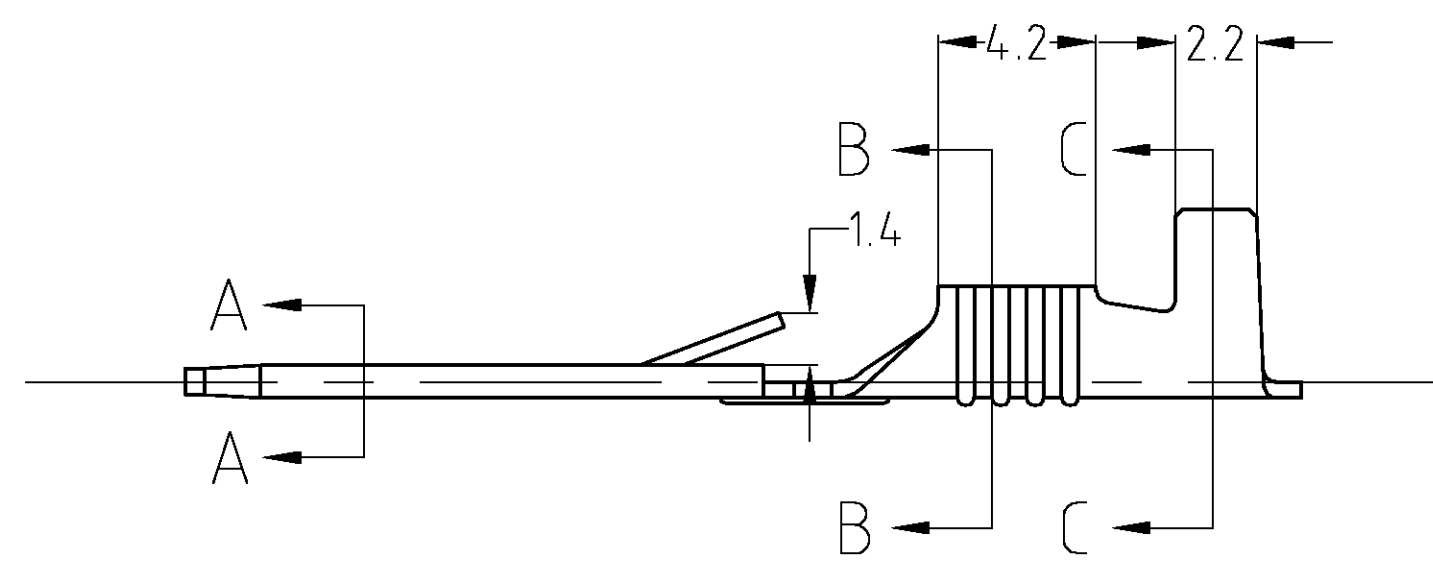
THIS DRAWING IS UNPUBLISHED. RELEASED FOR PUBLICATION  
 © COPYRIGHT - ALL RIGHTS RESERVED.

| LOC | DIST | REVISIONS |     |                           |         |     |      |
|-----|------|-----------|-----|---------------------------|---------|-----|------|
|     |      | P         | LTR | DESCRIPTION               | DATE    | DWN | APVD |
| J   | -    | C1        |     | REVISED PER ECO-11-005030 | 23MAR11 | RK  | HMR  |

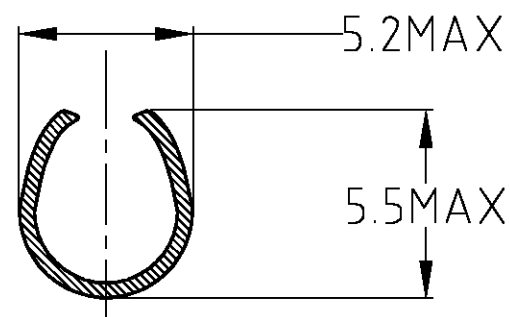


- 注)  
 1. 適用電線: AWG18 - AWG14 (0.75~2.27)  
 2. 適用被覆外径: φ3.1~4.1MM

- NOTE)  
 1. APPLICABLE WIRE SIZE  
 : AWG18 - AWG14 (0.75~2.27)  
 2. APPLICABLE WIRE INSULATION  
 : φ3.1~4.1MM



SECTION A-A  
断面A-A



SECTION C-C  
断面C-C

|                   |                                       |                              |                            |
|-------------------|---------------------------------------|------------------------------|----------------------------|
|                   | 錫めっき済み黄銅 0.41t<br>PRE-TIN BRASS 0.41t | 170151-2                     | 1-170153-2                 |
| 錫めっき<br>TIN-PLATE | 黄銅 0.41t<br>BRASS 0.41t               | 170151-3                     | 170153-3                   |
|                   | 錫めっき済み黄銅 0.41t<br>PRE-TIN BRASS 0.41t | 170151-2                     | 170153-2                   |
|                   | 黄銅 0.41t<br>BRASS 0.41t               | 170151-1                     | 170153-1                   |
| 仕上げ<br>FINISH     | 材料<br>MATERIAL                        | 連鎖状端子型番<br>STRIP CONTACT P/N | バラ状端子型番<br>L.P CONTACT P/N |

THIS DRAWING IS A CONTROLLED DOCUMENT.

| DIMENSIONS:<br>単位: 概<br>mm | TOLERANCES UNLESS<br>OTHERWISE SPECIFIED:<br>一般公差 |
|----------------------------|---|
|                            | 0 PLC ± 0.4                                       |
|                            | 1 PLC ± -   |
|                            | 2 PLC ± -   |
|                            | 3 PLC ± -   |
|                            | 4 PLC ± -   |
|                            | ANGLES ± 1.0                                      |

MATERIAL  
材料  
SEE TABLE

FINISH  
仕上  
SEE TABLE

DWN J.HOSHIBA 02OCT'06  
 CHK N.YAMASAKI 16FEB'07  
 APVD N.YAMASAKI 16FEB'07

PRODUCT SPEC  
製品規格  
108-5048

APPLICATION SPEC  
取付適用規格  
-

WEIGHT -

CUSTOMER DRAWING

**STE** TE Connectivity

250 SERIES FASTIN FASTON TAB(L.P)

NAME  
名称

SIZE A3 CAGE CODE 00779 DRAWING NO. 番号 C-170153 RESTRICTED TO -

SCALE 尺度 5:1 SHEET 1 OF 1 REV C1