



Chipsmall Limited consists of a professional team with an average of over 10 year of expertise in the distribution of electronic components. Based in Hongkong, we have already established firm and mutual-benefit business relationships with customers from,Europe,America and south Asia,supplying obsolete and hard-to-find components to meet their specific needs.

With the principle of “Quality Parts,Customers Priority,Honest Operation,and Considerate Service”,our business mainly focus on the distribution of electronic components. Line cards we deal with include Microchip,ALPS,ROHM,Xilinx,Pulse,ON,Everlight and Freescale. Main products comprise IC,Modules,Potentiometer,IC Socket,Relay,Connector.Our parts cover such applications as commercial,industrial, and automotives areas.

We are looking forward to setting up business relationship with you and hope to provide you with the best service and solution. Let us make a better world for our industry!



Contact us

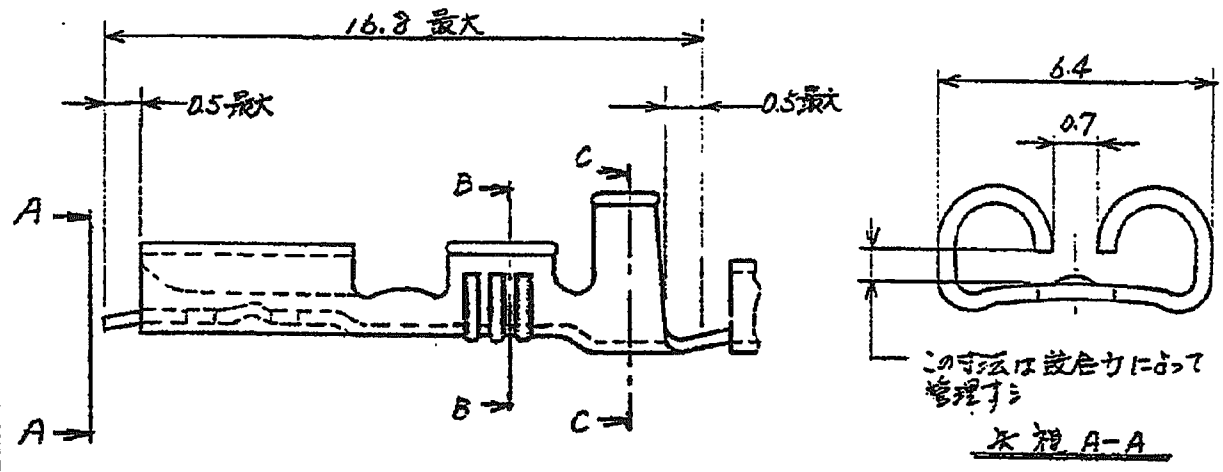
Tel: +86-755-8981 8866 Fax: +86-755-8427 6832

Email & Skype: info@chipsmall.com Web: www.chipsmall.com

Address: A1208, Overseas Decoration Building, #122 Zhenhua RD., Futian, Shenzhen, China

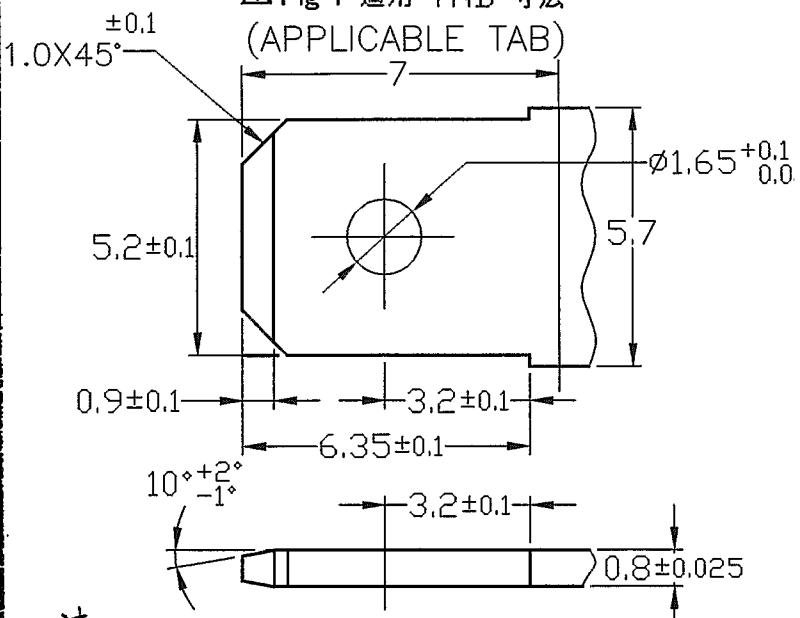


C-170180

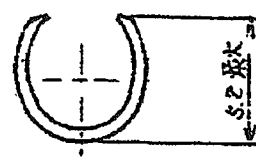


この寸法は設計力によって管理する
次相 A-A

△ Fig 1 適用 TAB 寸法 (APPLICABLE TAB)



断面 B-B



断面 C-C

注.
 △. 適用 TAB 寸法については Fig 1 を参照のこと。

170180-2	170179-2	電銅 0.4X	銅引線 0.4X	108-5007
170180-1	170179-1	電銅 0.4X	---	108-5007
型番	ST型倉	材質	仕上	階号規格番号

単位: 寸 寸法は公差を以て示す

				170180-2		170179-2		電銅 0.4X		銅引線 0.4X		108-5007	
				170180-1		170179-1		電銅 0.4X		---		108-5007	
				型番		ST型倉		材質		仕上		階号規格番号	
				MATERIAL		意参照		tyco		Tyco Electronics AMP K.K. Kawasaki, Japan			
				FRSH		意参照		Electronics					
A				REVISED FJD0-0495-04		Y.Y		N.Y		22DEC '04		CLASS: フォストン	
D				SUPERSEDES 42303 (REV. 1.0) H.S. ZV 4/10/04									
LTR				REVISION RECORD		DR		CHK		DATE		SCALE: 1:1	
DR				H. Shikata								LOC SIZE 34' NO. J A C-170180 A	
CHK				10/10/04								REV	
				of Sat. 10/10/04								205 シリーズ フォストン リセ 797R L/P	