



Chipsmall Limited consists of a professional team with an average of over 10 year of expertise in the distribution of electronic components. Based in Hongkong, we have already established firm and mutual-benefit business relationships with customers from,Europe,America and south Asia,supplying obsolete and hard-to-find components to meet their specific needs.

With the principle of “Quality Parts,Customers Priority,Honest Operation,and Considerate Service”,our business mainly focus on the distribution of electronic components. Line cards we deal with include Microchip,ALPS,ROHM,Xilinx,Pulse,ON,Everlight and Freescale. Main products comprise IC,Modules,Potentiometer,IC Socket,Relay,Connector.Our parts cover such applications as commercial,industrial, and automotives areas.

We are looking forward to setting up business relationship with you and hope to provide you with the best service and solution. Let us make a better world for our industry!



## Contact us

Tel: +86-755-8981 8866 Fax: +86-755-8427 6832

Email & Skype: info@chipsmall.com Web: www.chipsmall.com

Address: A1208, Overseas Decoration Building, #122 Zhenhua RD., Futian, Shenzhen, China

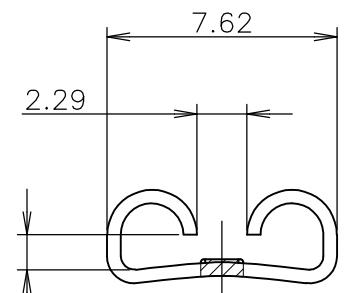
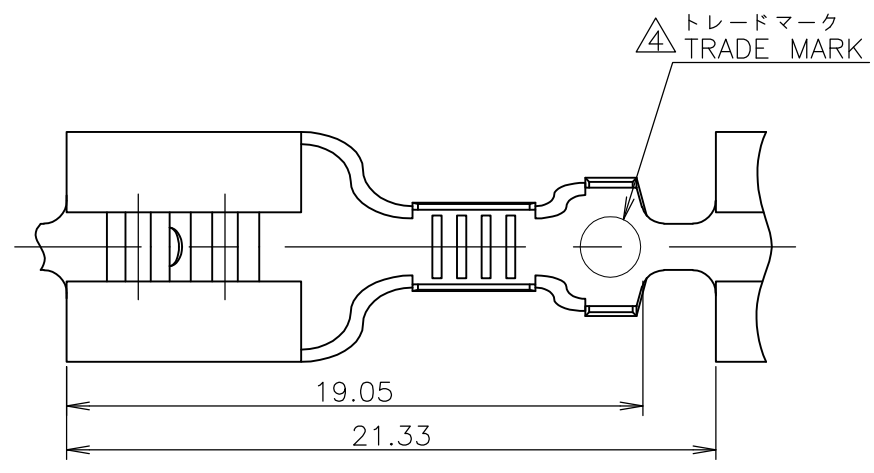


THIS DRAWING IS UNPUBLISHED. RELEASED FOR PUBLICATION JUN, 1998.  
 © COPYRIGHT 1998 By - ALL RIGHTS RESERVED.

LOC	DIST	REVISIONS 変更					
J	/	P	LTR	DESCRIPTION	DATE	DWN	APVD
		E1		REVISED PER ECO-11-005030	11MAR11	RK	HMR

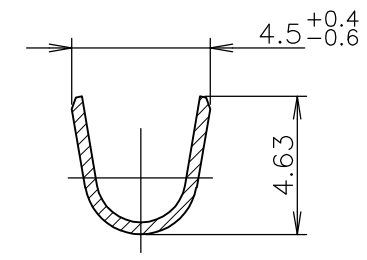
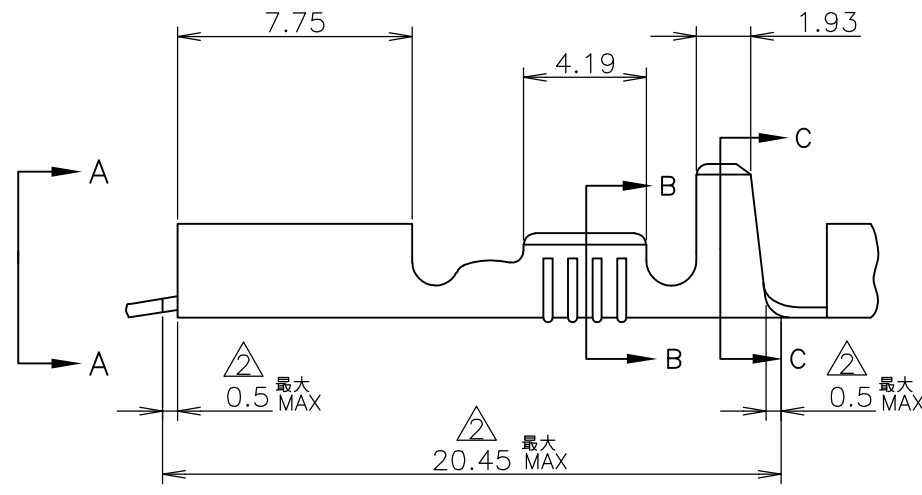
表1 TABLE 1

トレードマーク TRADE MARK	生産場所 MANUFACTURING LOCATION
AMP	シンガポール SINGAPORE
TE	中国 CHINA

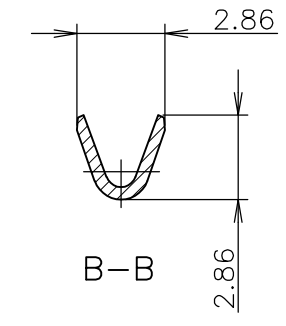


この寸法は嵌合力によって管理する。  
BE CONTROLLED BY MATING FORCE

VIEW A-A  
矢視



C-C



B-B

- 1 嵌合するファストンタブの詳細については#CP63-048Jの図面を参照の事
- ② LP型番の時のカット位置を示す
- ③ ストレス除去処理  
処理法により外観が変わります。  
不活性ガス加熱方式・・・無光沢  
大気加熱方式・・・・・・・・光沢
- ④ 表1参照

- 1 SEE DWG CP63-048J FOR THE DETAIL OF MATING TAB
- ② INDICATE CUT DIMENSION FOR LOOSE PIECE PART
- ③ STRESS RELIEVING  
FINISH IS SUBJECT TO CHANGE BY THE TYPE OF  
STRESS RELIEVING PROCESS  
INERT GAS FURNACE-----MATTE  
ATMOSPHERIC FURNACE FOLLOWED BY ACID PICKLE---BRIGHT
- ④ SEE TABLE 1

108-5178	TIN PLT 錫めっき	170187-2	BRASS 0.4 THK 黄銅 板厚 0.4	170183-2
108-5006	—H— ③	170187-1	BRASS 0.4 THK 黄銅 板厚 0.4	170183-1
PRODUCT SPEC 製品規格	FINISH 仕上	L.P.NO. LP型番(ワイヤパレルが プリフォーム)	MATERIAL 材質	P/N 型番

WIRE RANGE  
包合電線断面積 AWG #22-#18  
0.30~0.89 mm<sup>2</sup>

INSULATION DIA  
被覆外径 (.090-.130IN)  
2.29~33 mm $\phi$

THIS DRAWING IS A CONTROLLED DOCUMENT.		DWN M.SUZUKI 04JUN1998	TE Connectivity													
DIMENSIONS: 単位: 耗 mm		CHK M.SHINDO 04JUN1998														
TOLERANCES UNLESS OTHERWISE SPECIFIED: 一般公差		APVD S.KUBOUCHI 04JUN1998	NAME 名称 250 SERIES FASTON RECEPTACLE 250 シリーズ ファストン リセプタクル													
<table border="1"> <tr><td>0-PLC</td><td>±</td></tr> <tr><td>1-PLC</td><td>±</td></tr> <tr><td>2-PLC</td><td>±</td></tr> <tr><td>3-PLC</td><td>±</td></tr> <tr><td>4-PLC</td><td>±</td></tr> <tr><td>ANGLES</td><td>±</td></tr> </table>		0-PLC	±	1-PLC	±	2-PLC	±	3-PLC	±	4-PLC	±	ANGLES	±	PRODUCT SPEC 製品規格 表参照 SEE TABLE	SIZE A3	
0-PLC	±															
1-PLC	±															
2-PLC	±															
3-PLC	±															
4-PLC	±															
ANGLES	±															
MATERIAL 材料 表参照 SEE TABLE		APPLICATION SPEC 取付適用規格 114-5084	CAGE CODE 00779	DRAWING NO 番号 C-170183												
FINISH 仕上 表参照 SEE TABLE		WEIGHT	RESTRICTED TO													
CUSTOMER DRAWING		SCALE 尺度 4:1		SHEET 1 OF 1												
				REV E1												