



Chipsmall Limited consists of a professional team with an average of over 10 year of expertise in the distribution of electronic components. Based in Hongkong, we have already established firm and mutual-benefit business relationships with customers from,Europe,America and south Asia,supplying obsolete and hard-to-find components to meet their specific needs.

With the principle of “Quality Parts,Customers Priority,Honest Operation,and Considerate Service”,our business mainly focus on the distribution of electronic components. Line cards we deal with include Microchip,ALPS,ROHM,Xilinx,Pulse,ON,Everlight and Freescale. Main products comprise IC,Modules,Potentiometer,IC Socket,Relay,Connector.Our parts cover such applications as commercial,industrial, and automotives areas.

We are looking forward to setting up business relationship with you and hope to provide you with the best service and solution. Let us make a better world for our industry!



## Contact us

Tel: +86-755-8981 8866 Fax: +86-755-8427 6832

Email & Skype: info@chipsmall.com Web: www.chipsmall.com

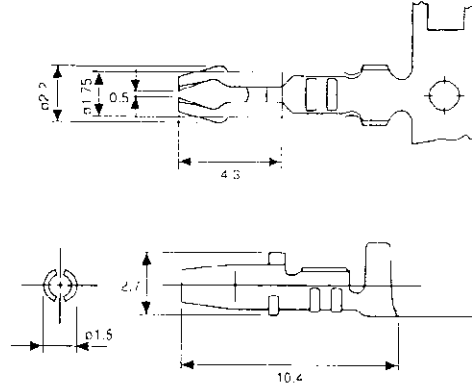
Address: A1208, Overseas Decoration Building, #122 Zhenhua RD., Futian, Shenzhen, China



## Wire to Board Terminals (AMP-IN Terminal)

### Material and Finish

Tin-plated  
Brass or phosphor bronze

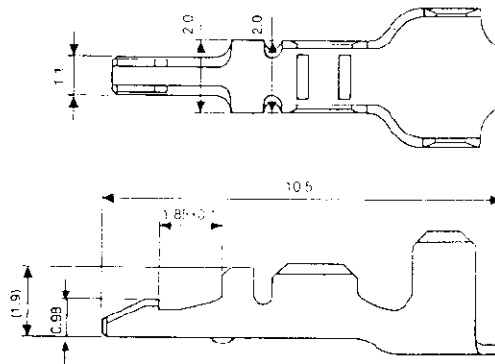


**Part Number:** 170072-1  
**Application Spec:** 114-5028  
**Product Specifications:** 108-5012  
**Recommended PCB Hole Size:**  
 $\phi 1.8$ - $\phi 1.9$ mm

Wire Size		Wire Insulation
AWG	mm <sup>2</sup>	Diameter
24-20	0.20-0.56	1.52-2.79

### Material and Finish

Tin-plated brass



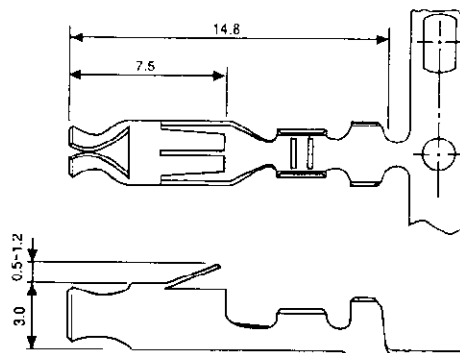
**Part Number:** 170197-1 (with dimple) and 170197-2 (without dimple)  
**Application Spec:** 114-5014  
**Product Specifications:** 108-5012  
**Recommended PCB Hole Size:**  
 $\phi 1.2$ - $\phi 1.6$ mm

Wire Size		Wire Insulation
AWG	mm <sup>2</sup>	Diameter
24-20	0.20-0.56	1.6-2.3

### AMP VASE Terminal

#### Material and Finish

Tin-plated brass



**Part Number:** 170219-1 and 170219-2 (Low mating force)  
**Application Spec:** 114-5016  
**Product Specifications:** 108-5012  
**Mates with 1.57 diameter pin**

Wire Size		Wire Insulation
AWG	mm <sup>2</sup>	Diameter
24-20	0.20-0.53	1.2-2.6