



Chipsmall Limited consists of a professional team with an average of over 10 year of expertise in the distribution of electronic components. Based in Hongkong, we have already established firm and mutual-benefit business relationships with customers from,Europe,America and south Asia,supplying obsolete and hard-to-find components to meet their specific needs.

With the principle of "Quality Parts,Customers Priority,Honest Operation,and Considerate Service",our business mainly focus on the distribution of electronic components. Line cards we deal with include Microchip,ALPS,ROHM,Xilinx,Pulse,ON,Everlight and Freescale. Main products comprise IC,Modules,Potentiometer,IC Socket,Relay,Connector.Our parts cover such applications as commercial,industrial, and automotives areas.

We are looking forward to setting up business relationship with you and hope to provide you with the best service and solution. Let us make a better world for our industry!



## Contact us

Tel: +86-755-8981 8866 Fax: +86-755-8427 6832

Email & Skype: info@chipsmall.com Web: www.chipsmall.com

Address: A1208, Overseas Decoration Building, #122 Zhenhua RD., Futian, Shenzhen, China



THIS DRAWING IS UNPUBLISHED.

RELEASED FOR PUBLICATION

---

LOC

DIST

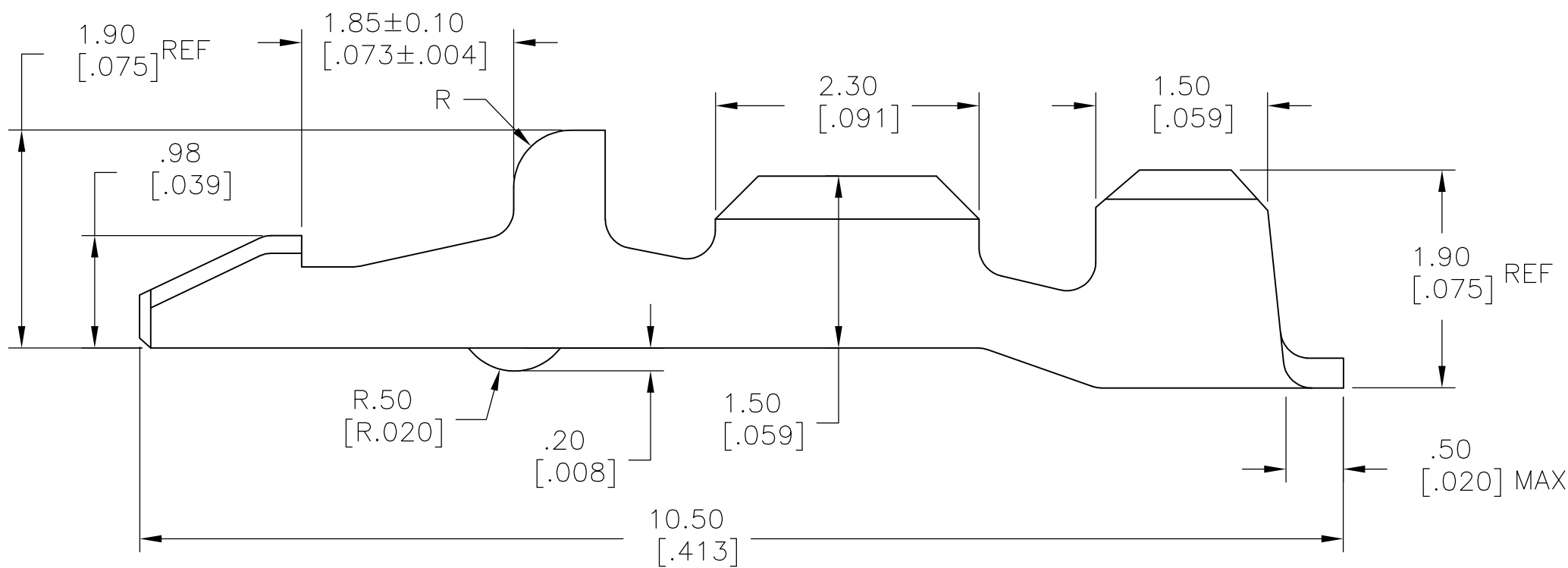
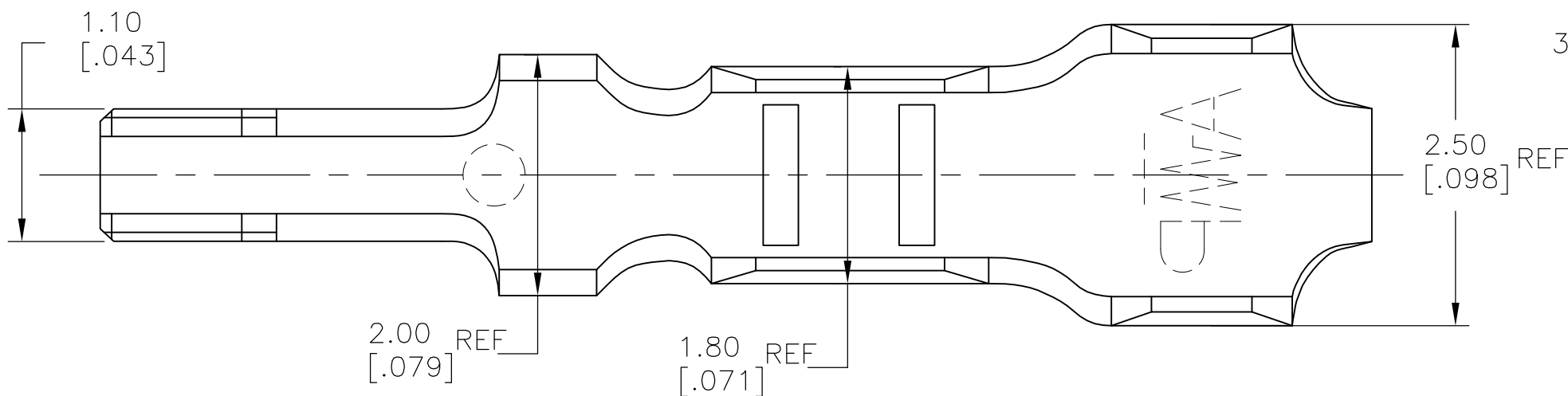
REVISIONS

© COPYRIGHT - By -

ALL RIGHTS RESERVED.

P	LTR	DESCRIPTION	DATE	DWN	APVD
E		REVISED PER ECR-14-016288	20NOV2014	NK	GJ

- 1 PRODUCT SPECIFICATION: 108-5087.
- 2 APPLICATION SPEC: 114-5014.
- 3 PC BOARD THICKNESS 1.60±0.14[.063±.005]  
HOLE DIAMETER 1.20±0.00[.047±.000]  
(DRILL SIZE).



THIS DRAWING IS A CONTROLLED DOCUMENT.

DWN *H. Skubogzki* 08/01/74

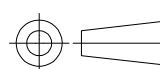
CHK *Y. Sebel* 08/01/74

APVD *H. Skubogzki* -



DIMENSIONS:  
mm [INCHES]

TOLERANCES UNLESS  
OTHERWISE SPECIFIED:



0 PLC	± -
1 PLC	± -
2 PLC	± 0.40[.015]
3 PLC	± -
4 PLC	± -
ANGLES	± 1°

WIRE RANGE  
0.05~0.15 mm<sup>2</sup>  
[.000071~.00023 SQ IN]  
(AWG #30-#26)

INSULATION DIA  
0.66~1.22 mm  
[.026~.048 IN]

MATERIAL  
BRASS

FINISH  
POST PLATED  
TIN OVER Ni

PRODUCT SPEC

---

APPLICATION SPEC

---

WEIGHT

---

NAME

MINI AMP-IN

SIZE	CAGE CODE	DRAWING NO	RESTRICTED TO
------	-----------	------------	---------------

A3	00779	C-170198	---
----	-------	----------	-----

CUSTOMER DRAWING	SCALE 12:0	SHEET 1 OF 1	REV E
------------------	------------	--------------	-------