



Chipsmall Limited consists of a professional team with an average of over 10 year of expertise in the distribution of electronic components. Based in Hongkong, we have already established firm and mutual-benefit business relationships with customers from,Europe,America and south Asia,supplying obsolete and hard-to-find components to meet their specific needs.

With the principle of “Quality Parts,Customers Priority,Honest Operation,and Considerate Service”,our business mainly focus on the distribution of electronic components. Line cards we deal with include Microchip,ALPS,ROHM,Xilinx,Pulse,ON,Everlight and Freescale. Main products comprise IC,Modules,Potentiometer,IC Socket,Relay,Connector.Our parts cover such applications as commercial,industrial, and automotives areas.

We are looking forward to setting up business relationship with you and hope to provide you with the best service and solution. Let us make a better world for our industry!



## Contact us

Tel: +86-755-8981 8866 Fax: +86-755-8427 6832

Email & Skype: info@chipsmall.com Web: www.chipsmall.com

Address: A1208, Overseas Decoration Building, #122 Zhenhua RD., Futian, Shenzhen, China

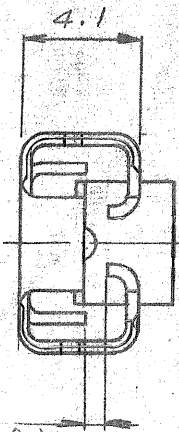


© 1976 年日本エー・エム・ピー株式会社  
AMP 社の諸製品は特許又は特許出願中

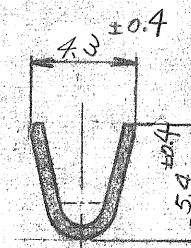
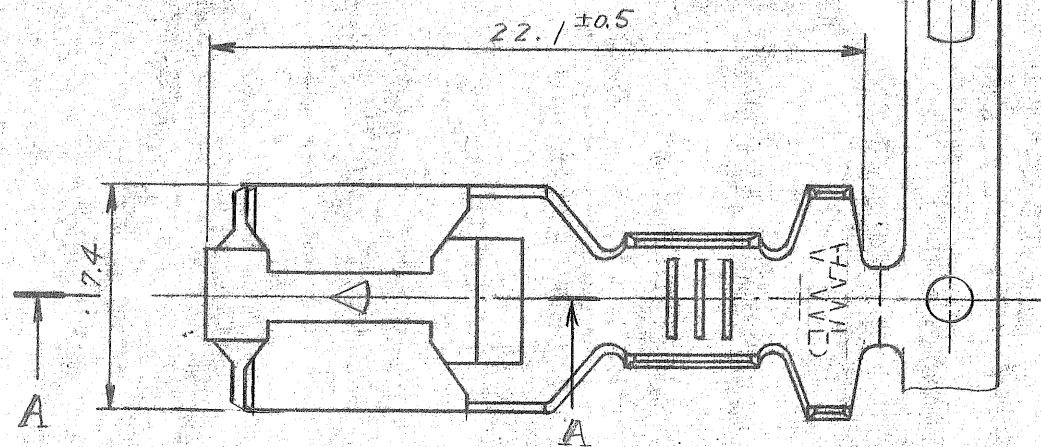
© 1976 BY AMP (Japan) Ltd.  
ALL RIGHTS RESERVED. AMP  
PRODUCTS COVERED BY PATENTS  
AND OR PATENTS PENDING

一般公差

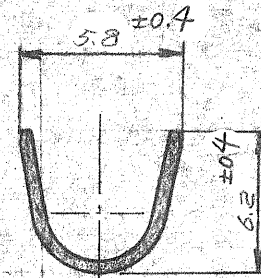
10 以下	±0.2
10 を越え 30 以下	±0.25
30 を越え 100 以下	±0.3
角度	±3°



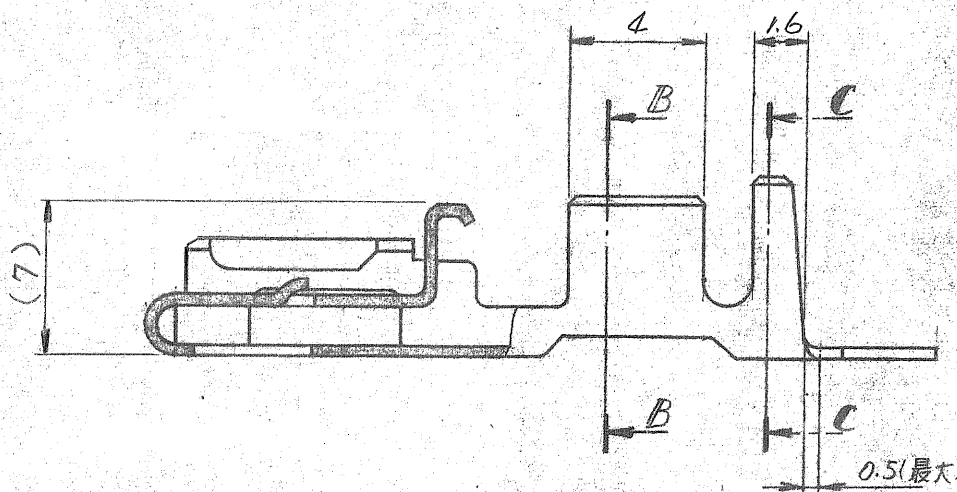
(0.8 厚 97 と適合)



断面 B-B



断面 C-C




断面 A-A

注)

1. 適用ハウジングは型番 171809, 171810, 171848, 30154719.
2. 適用製品規格 108-5114, 108-5117.
3. 適用圧着規格 114-5032.

PRINT DIST 4 C 単位: 概 DIMENSIONS IN MM. DO NOT SCALE PRINT

E	ECN: J10660 (P-DWG REV. 1)	Ym	4-1	1/17/88
D	ECN: J83-6968 (REV. F)	Y.F	2-26	1/83
D	変更 (REV. C)	S.O	1/17/88	
C	変更 (REV. C)	TS	1/17/88	
B	変更 (REV. B)	TD	1/17/88	
A	変更 (REV. A)	TD	1/17/88	
O	JF 取 (P-DWG REV. 0)	MA	3/5/77	
LTR.	変更 (REVISION RECORD)	DR.	CHK.	DATE

170266-4	3.08 ~ 5.63	3.8 ~ 5.1 mm	錫めっき	170234-4
170266-2	3.08 ~ 5.63 ⊙	3.8 ~ 5.1 mm	錫めっき	170234-2
170266-1	3.08 ~ 5.63 ⊙	3.8 ~ 5.1 mm	—	170234-1
形状端子型番	適用電線範囲	被覆-外径	仕上	型番
材料 (MATERIAL) t=0.4 黄銅 (ASTM B36 に準拠)	公差 TOLERANCE ± EXCEPT ± AS NOTED ±	 日本エー・エム・ピー株式会社 TOKYO, JAPAN		
仕上 (FINISH) 表参照	DR CHK. M. EDD NOT 3/5/77 DE. APP. 1/11/77	名称 (NAME) 250 シリーズ ポジティブロックリセブク7ク7ク SIZE LOC 番号 (NO.) B J C-170234 尺度 (SCALE) REV. SHEET 4-1 E 1		