



Chipsmall Limited consists of a professional team with an average of over 10 year of expertise in the distribution of electronic components. Based in Hongkong, we have already established firm and mutual-benefit business relationships with customers from,Europe,America and south Asia,supplying obsolete and hard-to-find components to meet their specific needs.

With the principle of "Quality Parts,Customers Priority,Honest Operation,and Considerate Service",our business mainly focus on the distribution of electronic components. Line cards we deal with include Microchip,ALPS,ROHM,Xilinx,Pulse,ON,Everlight and Freescale. Main products comprise IC,Modules,Potentiometer,IC Socket,Relay,Connector.Our parts cover such applications as commercial,industrial, and automotives areas.

We are looking forward to setting up business relationship with you and hope to provide you with the best service and solution. Let us make a better world for our industry!



## Contact us

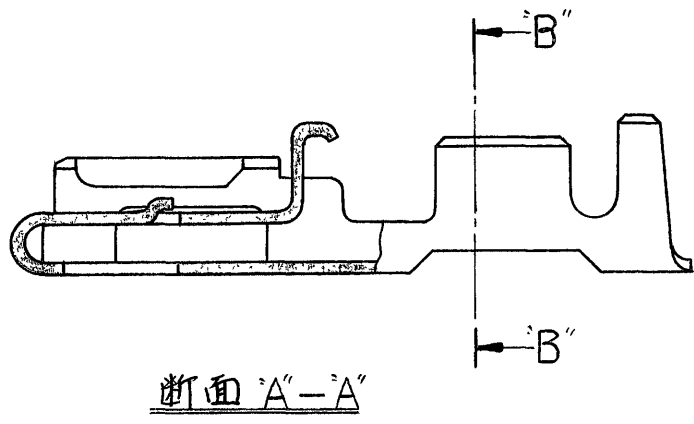
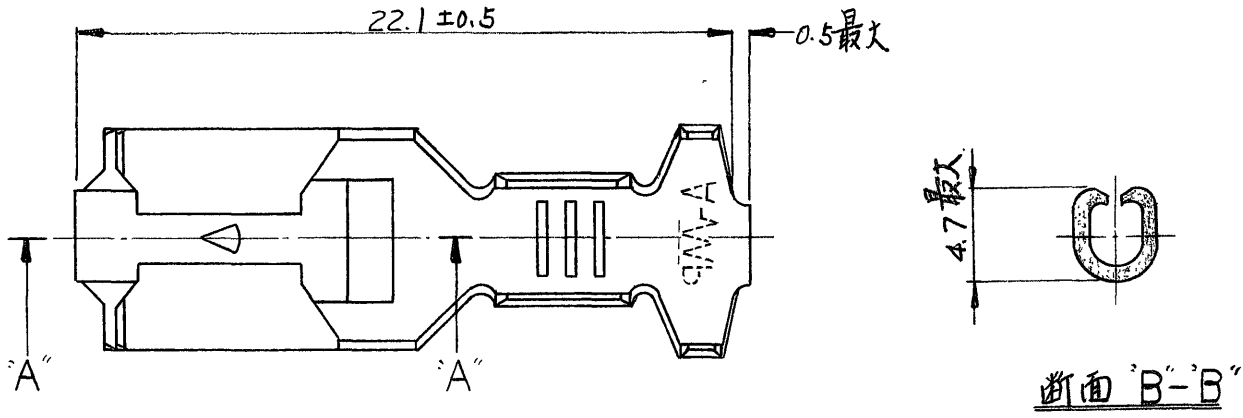
Tel: +86-755-8981 8866 Fax: +86-755-8427 6832

Email & Skype: info@chipsmall.com Web: www.chipsmall.com

Address: A1208, Overseas Decoration Building, #122 Zhenhua RD., Futian, Shenzhen, China




番号 (NUMBER)  
C-170266



注; 1. 規定寸法以外の寸法については連鎖状図面による。  
 2. 本製品の7代バレルはトリオムにてある。  
 ③ 3. 適用取扱説明書 IS 076J

シ青銅 t=0.4	170234-4	錫めっき	170266-4
黄銅 t=0.4	170234-2	錫めっき	170266-2
黄銅 t=0.4	170234-1	—	170266-1
材料	連鎖状端子型番	仕上	18寸状端子型番

©19 年日本エー・エム・ビー株式会社 AMP社の特許品は特許又は特許出願中		©19 BY AMP (Japan), Ltd ALL RIGHTS RESERVED AMP PRODUCTS COVERED BY PATENTS AND/OR PATENTS PENDING		参考図面 (CUSTOMER COPY) (REFERENCE ONLY)	
材料 (MATERIAL) 表参照			 日本エー・エム・ビー株式会社 TOKYO, JAPAN		
仕上 (FINISH) 表参照					
抱合電線断面積 (WIRE RANGE) 3.08 ~ 5.63 mm <sup>2</sup> (AWG # — )			分類 (CLASS) — # —		
被覆外径 (INSULATION DIA) 3.8 ~ 5.1 mm ( — # IN)			型式 (TYPE) — # —		
一般公差 (TOLERANCE) ±0.4 (EXCEPT AS NOTED) (±.015") (±1°)		尺度 (SCALE)	LOC	SIZE	番号 (NO)
名称 (NAME) ポジティブロックリセプタクル (L.P)			J	A	C-170266
LTR 変更 (REVISION RECORD)		DR	CHK	DATE	REV
DR 9/26/77 DE		CHK 9/28/77 APP. Y. Sato 9/29/77			02

単位: 耗 DIMENSIONS IN MM DO NOT SCALE PRINT

PRINT DIST 4