



Chipsmall Limited consists of a professional team with an average of over 10 year of expertise in the distribution of electronic components. Based in Hongkong, we have already established firm and mutual-benefit business relationships with customers from,Europe,America and south Asia,supplying obsolete and hard-to-find components to meet their specific needs.

With the principle of “Quality Parts,Customers Priority,Honest Operation,and Considerate Service”,our business mainly focus on the distribution of electronic components. Line cards we deal with include Microchip,ALPS,ROHM,Xilinx,Pulse,ON,Everlight and Freescale. Main products comprise IC,Modules,Potentiometer,IC Socket,Relay,Connector.Our parts cover such applications as commercial,industrial, and automotives areas.

We are looking forward to setting up business relationship with you and hope to provide you with the best service and solution. Let us make a better world for our industry!



## Contact us

Tel: +86-755-8981 8866 Fax: +86-755-8427 6832

Email & Skype: info@chipsmall.com Web: www.chipsmall.com

Address: A1208, Overseas Decoration Building, #122 Zhenhua RD., Futian, Shenzhen, China



THIS DRAWING IS UNPUBLISHED. RELEASED FOR PUBLICATION 2009  
 COPYRIGHT 2009 BY TYCO ELECTRONICS CORPORATION. ALL RIGHTS RESERVED.  
 MATED WITH: PASSEND ZU: -

LOC	DIST	REVISIONS			
P	LTR	DESCRIPTION	DATE	DWN	APVD
A1	-	1703013-2 und/AND 1703017-2 hinzugefuegt/ADDED	24FEB2004	Abr	C.G.
A2	-	Ausfuehrng. je nach Wkzg./VARIANT DEPENDS ON TOOLING	12APR2005	Abr	C.G.
A3	-	1703013-8. und/AND NOTE 3 hinzugefuegt/ADDED	17OCT2005	K.F.	C.G.
A5	-	NEW PROE DRAWING CREATED ECR-10-007842	12APR2010	Frue	Goe

REMARKS  
Bemerkungen

1 PRE TINNED  
vorverzinnt 1-3 µm

2 FINISH: ELECTROPLATED SILVER  
Oberflaeche: galvanisch versilbert

ZONE "A": MIN. 3-5 µm Ag  
min. 3-5 µm Ag

ZONE "B": MIN. 1-3 µm ELECTROPLATED SN  
min. 1-3 µm galvanisch Sn

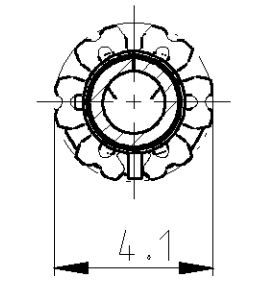
REST: SILVER OR TIN ALLOWED. IN TRANSITION AREAS  
OVERLAPPING LAYER OR PLAIN SURFACES ARE NOT ALLOWED.  
Silber oder Zinn erlaubt. Im Uebergangsbereich sind keine uebertappenden Schichten oder blanke Stellen erlaubt.

3 FINISH: ELECTROPLATED GOLD  
Oberflaeche: galvanisch vergoldet

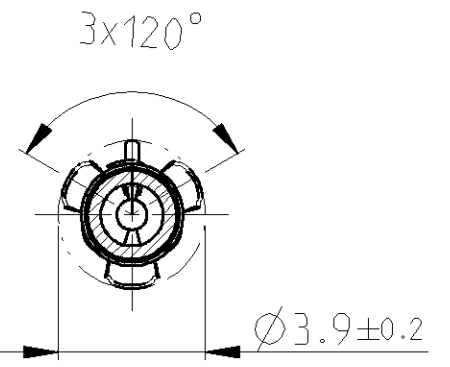
ZONE "A": MIN 0.8 µm ELECTROPLATED Au OVER MIN 1.3 µm ELECTROPLATED Ni LAYER  
min 0.8 µm galvanisch Au ueber min 1.3 µm galvanisch Ni

ZONE "B": MIN 1-2 µm ELECTROPLATED SN OVER MIN 0.05 µm ELECTROPLATED Ni LAYER  
min 1-2 µm galvanisch Sn ueber min 0.05 µm galvanisch Ni

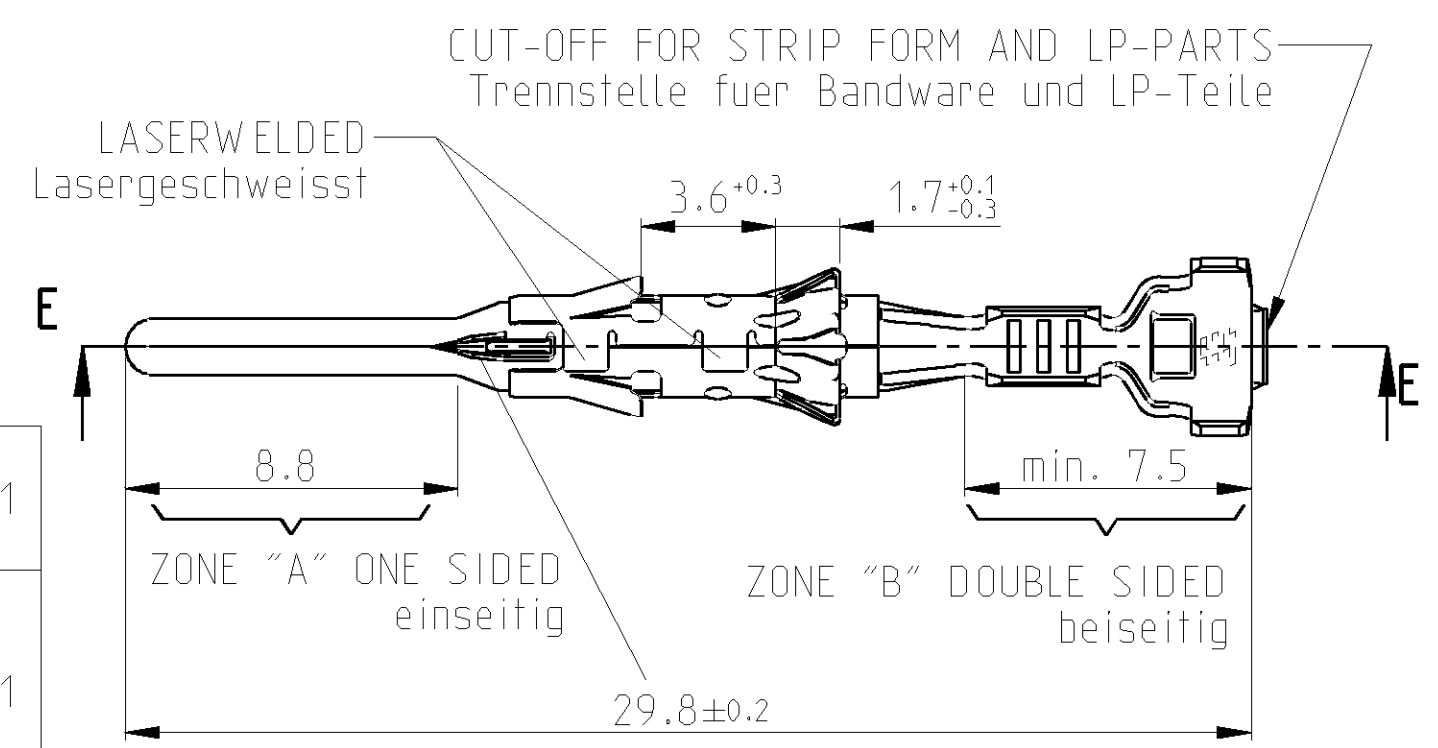
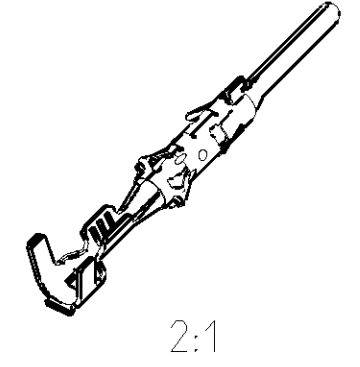
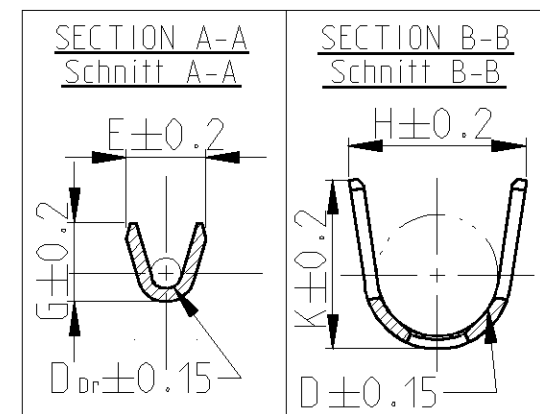
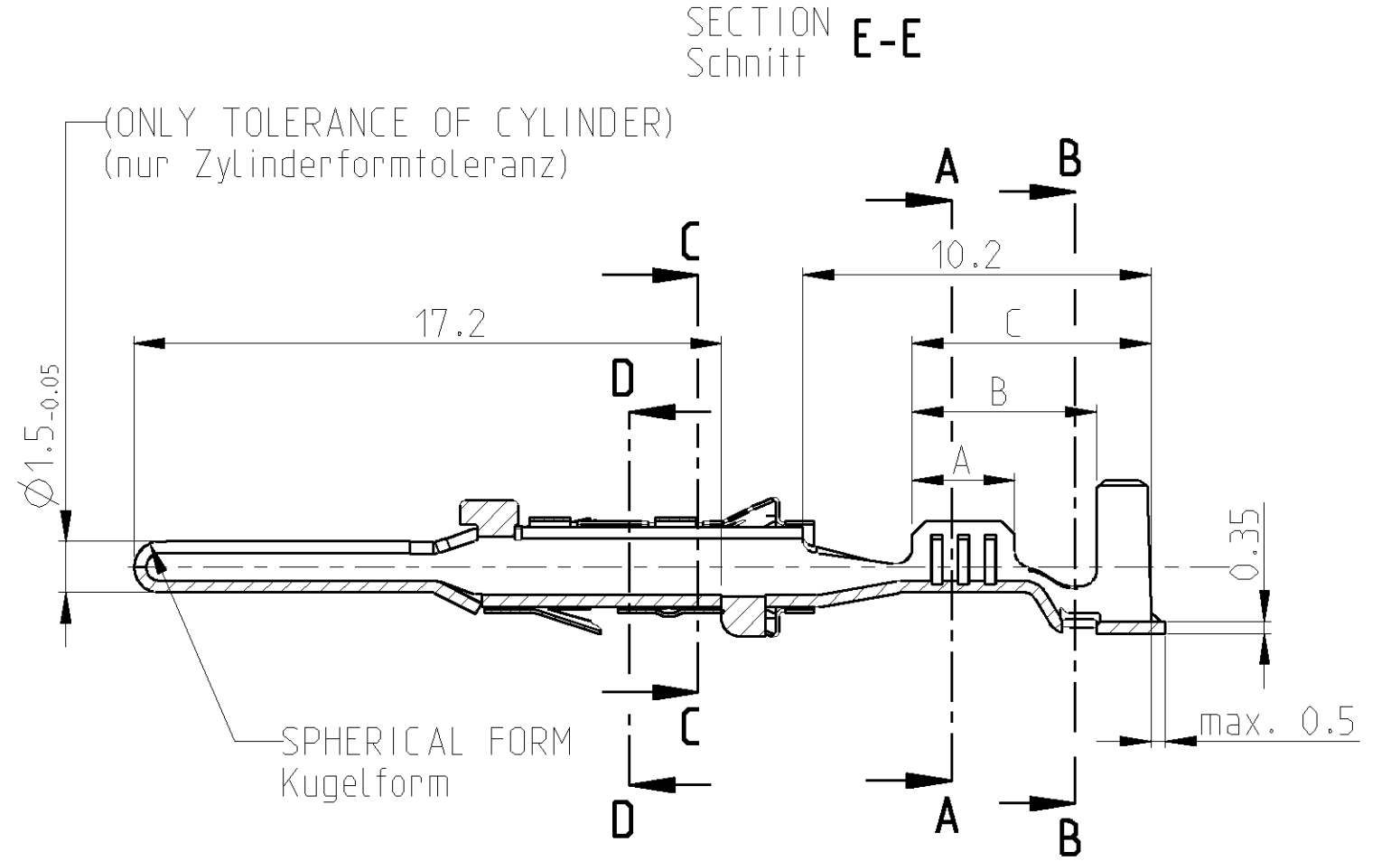
REST: GOLD, TIN OR NICKEL SURFACE. NO PLAIN SURFACES ALLOWED  
Gold, Zinn oder Nickel Oberflaeche. Keine blanke Stellen erlaubt.



SECTION C-C  
Schnitt



SECTION D-D  
Schnitt



TE ORDER-No. STRIP FORM Bandware	TE ORDER-No. LOOSE PIECE. Einzelausfuehrung	REV.	MATERIAL Werkstoff	SURFACE Oberflaeche	DGB [mm <sup>2</sup> ]	ISOL. Ø [mm]	WIRE CRIMP Drahtcrimp	INSUL.-CRIMP Isol.-Crimp	A	B	C	TE ORDER-No. SINGLE SEAL Einzeldichtung	TE ORDER-No. DEAD END PLUG Blindstopfen
1703014-4	1703018-4	A	CuFe2	1	>1.0-2.5	2.2-3.0	E=3.6 G=3.8 D <sub>or</sub> =1.7	H=5.0 K=5.0 D=3.6	4	6.9	8.5	828905-1	828922-1
1703014-1	1703018-1	A	CuNiSi	1	0.5-1.0	1.2-2.1	E=2.6 G=2.8 D <sub>or</sub> =1.1	H=4.8 K=4.8 D=3.2	3	5.4	7	828904-1	828922-1
1703013-8		A	CuNiSi	3									
1703013-4	1703017-4	A	CuFe2	1	0.2-0.4	1.2-2.1	E=2.1 G=2.1 D <sub>or</sub> =0.8	H=4.7 K=4.5 D=3.2	3	5.4	7	828904-1	828922-1
1703013-2	1703017-2	A	CuNiSi	2									
1703013-1	1703017-1	A	CuNiSi	1									
1703012-4	1703016-4	A	CuFe2	1	0.2-0.4	1.2-2.1	E=2.1 G=2.1 D <sub>or</sub> =0.8	H=4.7 K=4.5 D=3.2	3	5.4	7	828904-1	828922-1
			CuNiSi										
1703012-1	1703016-1	A	CuNiSi	1									

DIMENSIONS: mm 		TOLERANCES UNLESS OTHERWISE SPECIFIED: 0 PLC ±0.15 2 PLC ± 3 PLC ± 4 PLC ± ANGLES ±2° FINISH		DWN Abraham.G. 04FEB2004 CHK Goepfel.C. 05FEB2004 APVD Bleicher.M. 05FEB2004 PRODUCT SPEC 108-18028 APPLICATION SPEC 114-18040 WEIGHT 0.5g		Tyco Electronics AMP GmbH 64625 Bensheim NAME DIA 1.5mm CONTACT-PIN, ASSY FOR SINGLE WIRE SEALING Ø1.5mm Kontaktstift, Einzeldichtungssystem	
MATERIAL -		CUSTOMER DRAWING		SCALE 5:1		SHEET 1 OF 1	
				REV A5			