



Chipsmall Limited consists of a professional team with an average of over 10 year of expertise in the distribution of electronic components. Based in Hongkong, we have already established firm and mutual-benefit business relationships with customers from,Europe,America and south Asia,supplying obsolete and hard-to-find components to meet their specific needs.

With the principle of “Quality Parts,Customers Priority,Honest Operation,and Considerate Service”,our business mainly focus on the distribution of electronic components. Line cards we deal with include Microchip,ALPS,ROHM,Xilinx,Pulse,ON,Everlight and Freescale. Main products comprise IC,Modules,Potentiometer,IC Socket,Relay,Connector.Our parts cover such applications as commercial,industrial, and automotives areas.

We are looking forward to setting up business relationship with you and hope to provide you with the best service and solution. Let us make a better world for our industry!



## Contact us

Tel: +86-755-8981 8866 Fax: +86-755-8427 6832

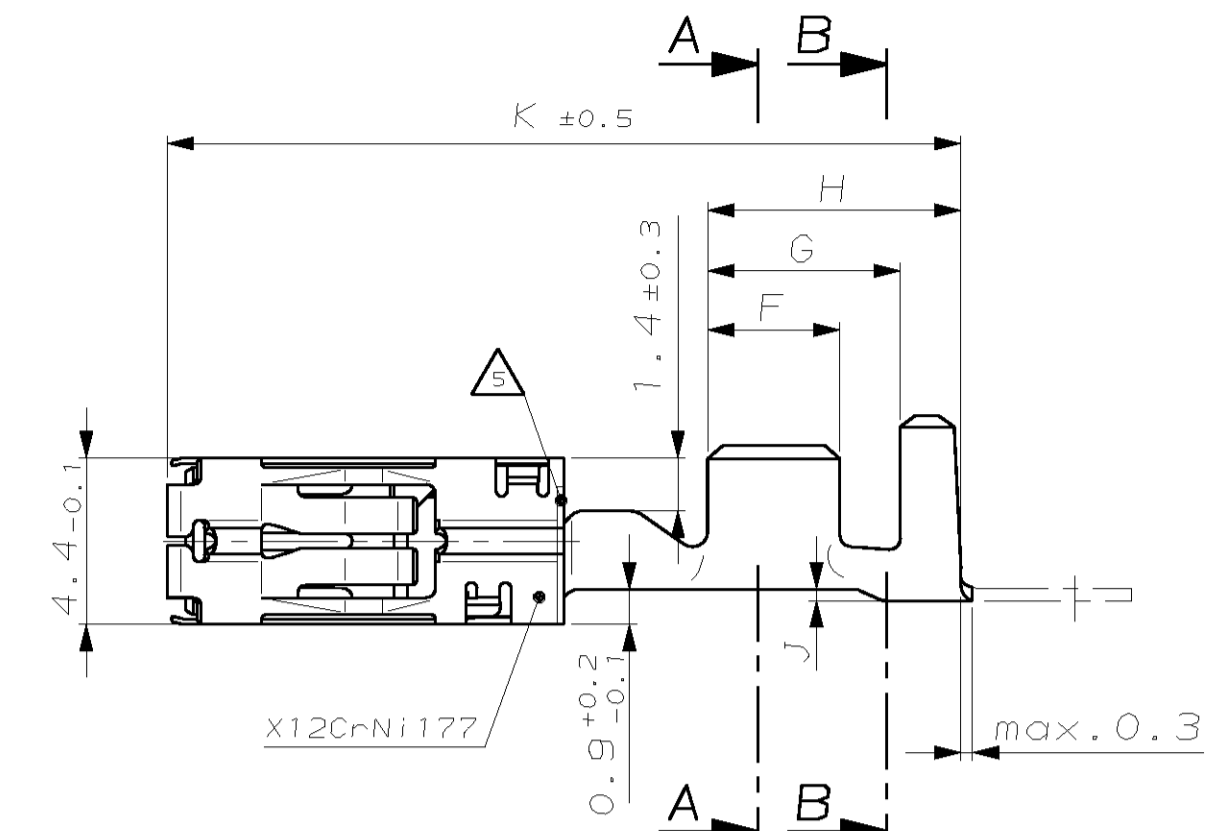
Email & Skype: info@chipsmall.com Web: www.chipsmall.com

Address: A1208, Overseas Decoration Building, #122 Zhenhua RD., Futian, Shenzhen, China

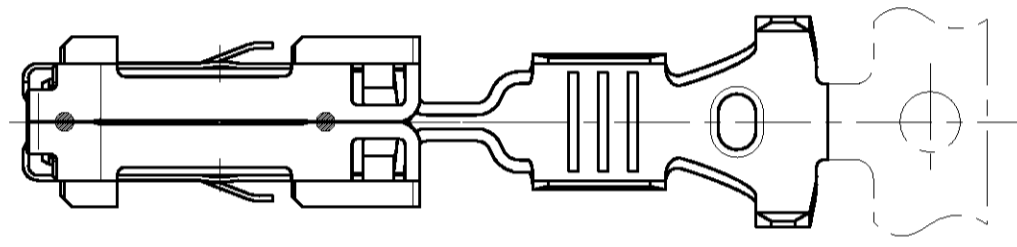
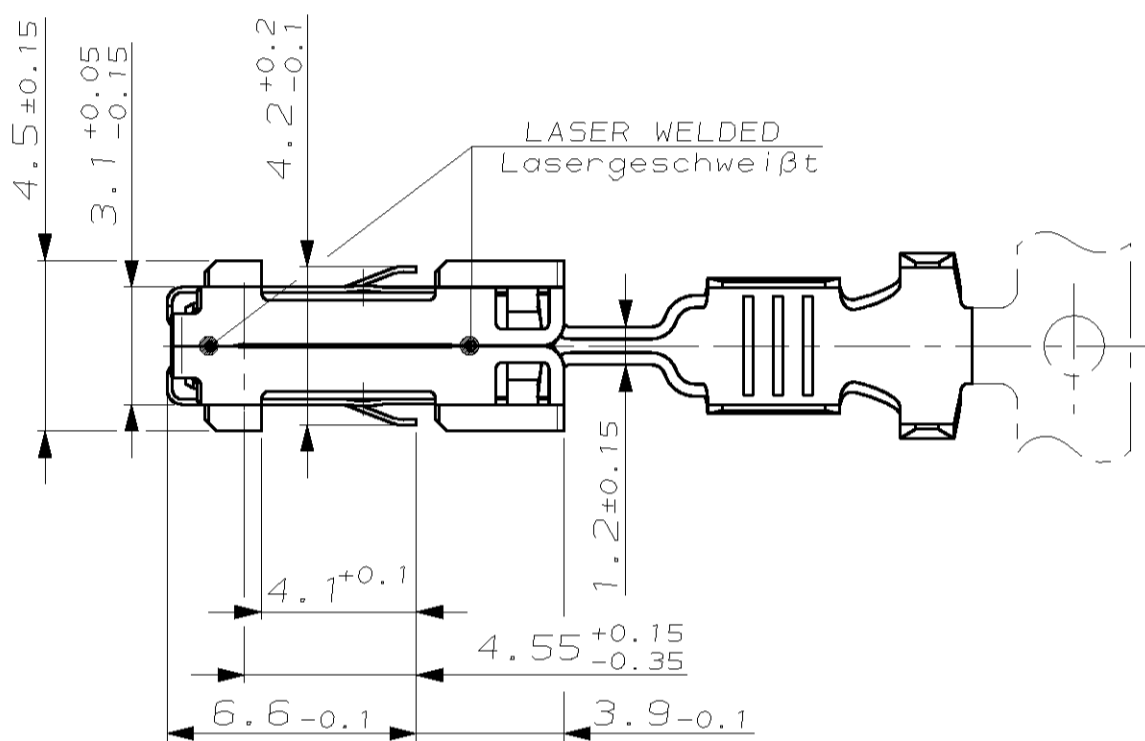
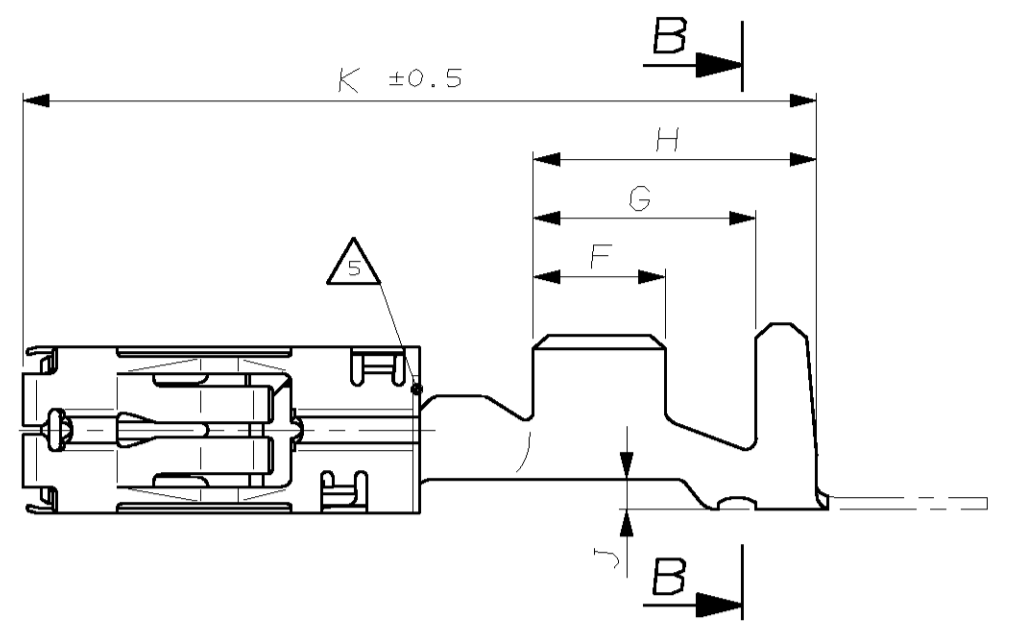


LOC	DIST	REV	DATE	BY	DESCRIPTION
AI	-	A	05-JUL-04	M. Pfeilschifter	NEW DRAWING CREATED

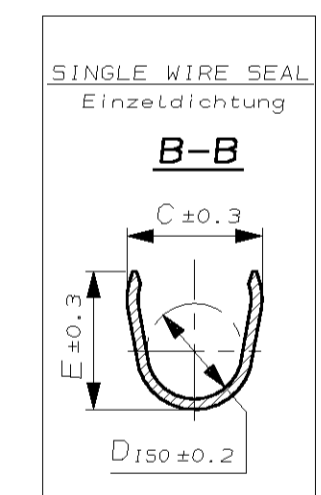
### STANDARDCRIMP



### SINGLE WIRE SEAL Einzelichtungssystem



- REMARKS  
Bemerkungen
- MATING PART SEE INTERFACE SPECIFICATION  
Gegenstecker nach Ausführungsvorschrift:  
114-18230-002; 2.8<sup>+0.3</sup> × 0.8 ± 0.03
  - ONLY FOR FLR-WIRE SEE DIN 72551, PART 6  
Nur für FLR-Leitung nach DIN 72551, Teil 6
  - ONLY IN ZONE OF CONTACT  
Nur in Kontaktzone
  - 
  - OUTSIDE EDGE SWAGED  
Außenkante angeprägt
  - CRIMPDATA SEE APPLICATION SPEC.  
Crimpdata sind der Verarbeitungsspec. zu entnehmen
  - DETAILS OF DESIGN ARE LEFT TO MANUFACTURER  
Einzelheiten der Ausführung bleiben dem Hersteller überlassen
  - ONLY THE GERMAN-LANGUAGE VERSION SHALL BE BINDING  
Maßgebend ist der deutsche Text
  - STRIP THICKNESS OF THE BODY 0.32 ± 0.01  
Kontaktkörper Banddicke 0.32 ± 0.01
  - STRIP THICKNESS OF THE SPRING 0.14 ± 0.01  
Banddicke der Überfeder 0.14 ± 0.01



F-Crimp	STANDARDCRIMP	LOOSE PIECE Einzelausführung	SINGLE WIRE SEAL Einzelichtung	DEAD END PLUS Blindstopfen
			tyco NO.	tyco NO.

VERSION Ausführung	tyco ORDER-NO. STRIP FORM Bestell-Nr. Bandware	tyco ORDER-NO. LOOSE PIECE Bestell-Nr. Einzelausführung	Rev.	MATERIAL Werkstoff	SURFACE Oberfläche	APPLICATION TOOL Anschluss-WKZ	HAND TOOL Handzange	WIRE SIZE RANGE Leiterquerschnitt mm²	PROCESS PARAMETER Verarbeitungsparameter mm	CRIMP DIMENSIONS / Crimpabmessungen mm											SINGLE WIRE SEAL Einzelichtung	DEAD END PLUS Blindstopfen								
										A	B	D <sub>0.5</sub>	C	E	D <sub>100</sub>	A	B	D <sub>0.5</sub>	C	E			R	F	G	H	J	K		
SINGLE WIRE SEAL Einzelichtung	1703035-3	1703037-3	-	CuNiSi	△ SILVER PLATED versilbert	tyco NO. x-878974-x	Basis-HZ tyco NO. 354940-1	2.5	△ B	3.6	3.8	1.7	5.0	5.0	3.5	2.8	3.9	1.7	4.8	4.4	2.8	3.5	5.9	7.5	0.8	2)	828905-1	828922-1		
	1703035-2	1703037-2	A		△ GOLD PLATED vergoldet					1.5	△ B	2.5	2.7	1.2	4.8	4.8	3.3	2.2	2.8	1.2	4.4	4.2	2.6	3	5.4	7	0.75	2)	828904-1	828922-1
	1703035-1	1703037-1	A		PRE TIN PLATED verzinkt					0.5	△ B	2.5	2.7	1.2	4.8	4.8	3.3	2.2	2.8	1.2	4.4	4.2	2.6	3	5.4	7	0.75	2)	828904-1	828922-1
	1703034-3	1703036-3	-	CuNiSi	△ SILVER PLATED versilbert	tyco NO. x-878973-x	Basis-HZ tyco NO. 354940-1	1.0	△ B	2.5	2.7	1.2	4.8	4.8	3.3	2.2	2.8	1.2	4.4	4.2	2.6	3	5.4	7	0.75	2)	828904-1	828922-1		
	1703034-2	1703036-2	A		△ GOLD PLATED vergoldet					0.75	△ B	2.5	2.7	1.2	4.8	4.8	3.3	2.2	2.8	1.2	4.4	4.2	2.6	3	5.4	7	0.75	2)	828904-1	828922-1
	1703034-1	1703036-1	A		PRE TIN PLATED verzinkt					0.5	△ B	2.5	2.7	1.2	4.8	4.8	3.3	2.2	2.8	1.2	4.4	4.2	2.6	3	5.4	7	0.75	2)	828904-1	828922-1

THIS DRAWING IS A CONTROLLED DOCUMENT AND THE INFORMATION IT IS SUBJECT TO CHANGE AND THE CONTROLLING ENGINEER'S SIGNATURE SHALL BE OBTAINED FOR THE LATEST REVISION. ALLE DATEN UND ANMERKUNGEN SIND DURCH DIE VERANTWORTLICHE INGENIEURIN VERIFIED. FÜR DIE LETZTE REVISION MÜSSEN DIE SIGNATUREN DER VERANTWORTLICHEN INGENIEURIN UND DES VERANTWORTLICHEN VERARBEITERS ANGEFÜHRT SEIN.

AMP 4805 REV 27/JUN06

tyco Electronics AMP GmbH  
D - 64625 Bensheim

PRODUCT GROUP DRAWING FOR  
2.8mm SENSOR CONTACT  
Tabellenzeichnung für  
2.8mm Sensor-Kontakt

SIZE CASE CODE DRAWING NO. ZEICHNUNG-NR.  
A1 00779 G-1241995

RESTRICTED TO NEW PIER