



Chipsmall Limited consists of a professional team with an average of over 10 year of expertise in the distribution of electronic components. Based in Hongkong, we have already established firm and mutual-benefit business relationships with customers from,Europe,America and south Asia,supplying obsolete and hard-to-find components to meet their specific needs.

With the principle of “Quality Parts,Customers Priority,Honest Operation,and Considerate Service”,our business mainly focus on the distribution of electronic components. Line cards we deal with include Microchip,ALPS,ROHM,Xilinx,Pulse,ON,Everlight and Freescale. Main products comprise IC,Modules,Potentiometer,IC Socket,Relay,Connector.Our parts cover such applications as commercial,industrial, and automotives areas.

We are looking forward to setting up business relationship with you and hope to provide you with the best service and solution. Let us make a better world for our industry!



Contact us

Tel: +86-755-8981 8866 Fax: +86-755-8427 6832

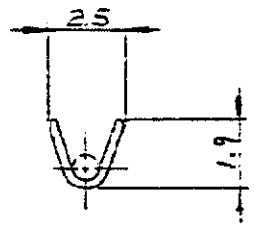
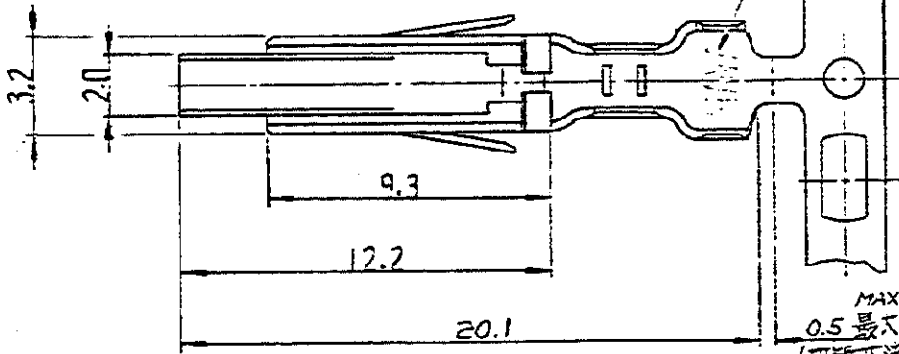
Email & Skype: info@chipsmall.com Web: www.chipsmall.com

Address: A1208, Overseas Decoration Building, #122 Zhenhua RD., Futian, Shenzhen, China

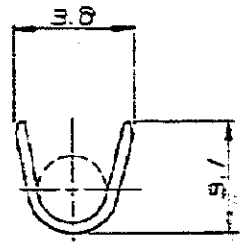
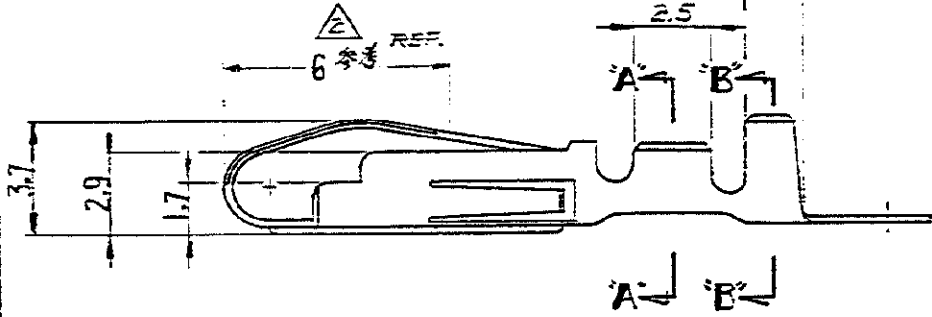


C170311

TRADE MARK
H-102-7



断面 'A-A'
SECT.



断面 'B-B'
SECT.

注:

1. 通用ハウジング型番は以下の通り

POS. 極数	MALE H'SG オス・ハウジング	FEMALE H'SG メス・ハウジング
16	172059	172068
12	172061	172069
8	172063	172070

△ 先端から約6mmまでの接触面は金めっき。
他の部分は一ニッケルめっきである。

NOTES:

1. APPLICABLE HOUSING P/N'S ARE SHOWN IN TABLE OF LEFT SIDE.

△ GOLD PLATING ON CONTACT AREA OF 6mm FROM TOP, OTHERS ARE NICKEL PLATED.

単位: 寸 寸法は mm. DO NOT SCALE PRINT

170311-1	汎用型番 (P/N NUMBER)	材料 (MATERIAL)	170311-1	型番 (PART NUMBER)
1979 BY AMP JAPAN LTD. ALL RIGHTS RESERVED. AMP PRODUCTS COVERED BY PATENTS AND OR PATENTS PENDING.		参考図面 (CUSTOMER COPY) (REFERENCE ONLY)		
MATERIAL 参考参照 SEE TABLE		参考図面 (CUSTOMER COPY) (REFERENCE ONLY)		
WIRE RANGE 0.22~0.53 AWG #4-20		TRADE MARK		
INSULATION GA 1.5~1.95		参考図面 (CUSTOMER COPY) (REFERENCE ONLY)		
SCALE 4:1		LOG SIZE J A		
DATE 1/12/79		REV C-170311 C		
DR. K. YUASA		NAME: ジャコト (ジャコト・コネクタ) CONTACT (DRAWER CONNECTOR)		

4