



Chipsmall Limited consists of a professional team with an average of over 10 year of expertise in the distribution of electronic components. Based in Hongkong, we have already established firm and mutual-benefit business relationships with customers from,Europe,America and south Asia,supplying obsolete and hard-to-find components to meet their specific needs.

With the principle of “Quality Parts,Customers Priority,Honest Operation,and Considerate Service”,our business mainly focus on the distribution of electronic components. Line cards we deal with include Microchip,ALPS,ROHM,Xilinx,Pulse,ON,Everlight and Freescale. Main products comprise IC,Modules,Potentiometer,IC Socket,Relay,Connector.Our parts cover such applications as commercial,industrial, and automotives areas.

We are looking forward to setting up business relationship with you and hope to provide you with the best service and solution. Let us make a better world for our industry!



## Contact us

Tel: +86-755-8981 8866 Fax: +86-755-8427 6832

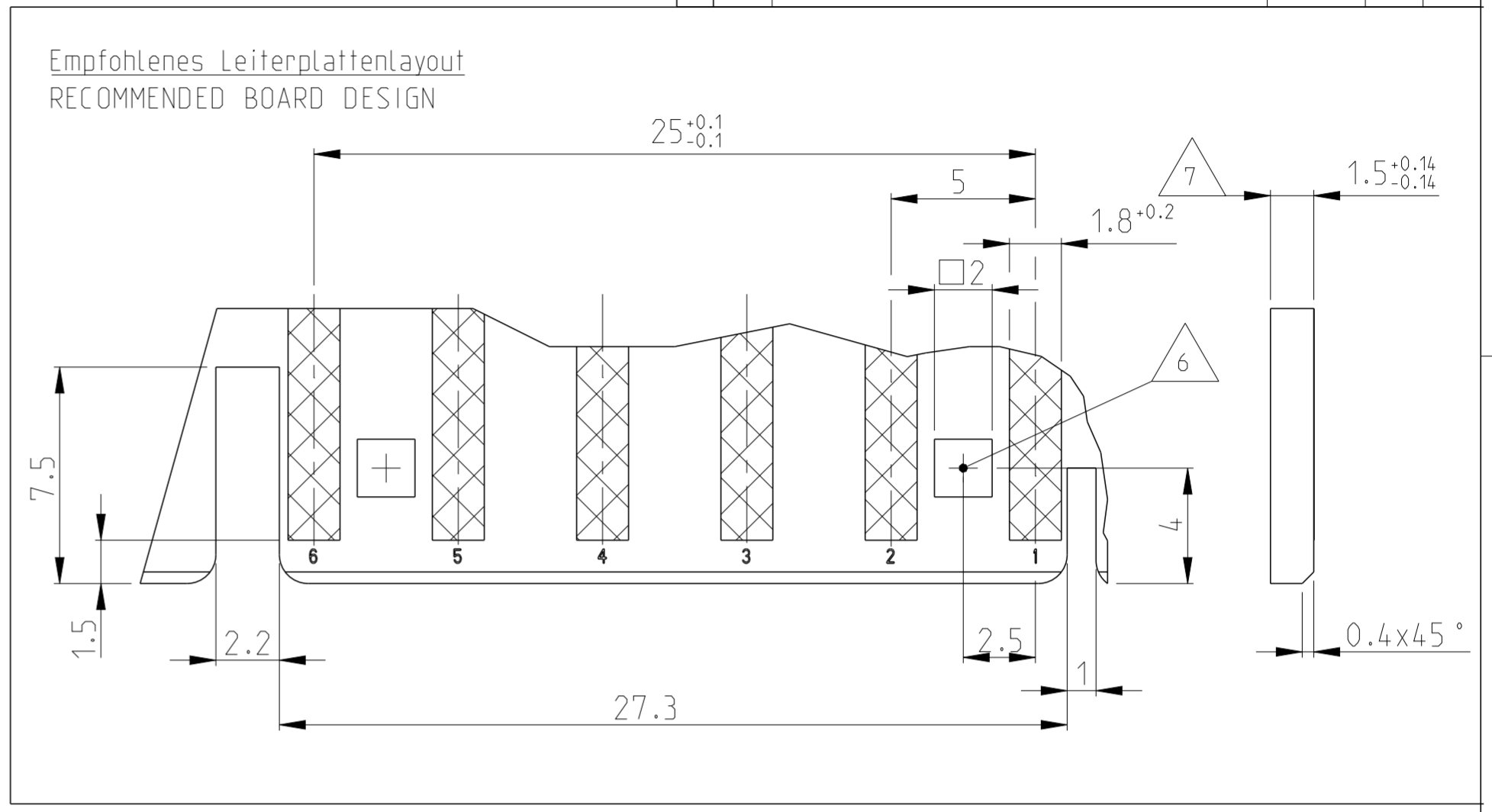
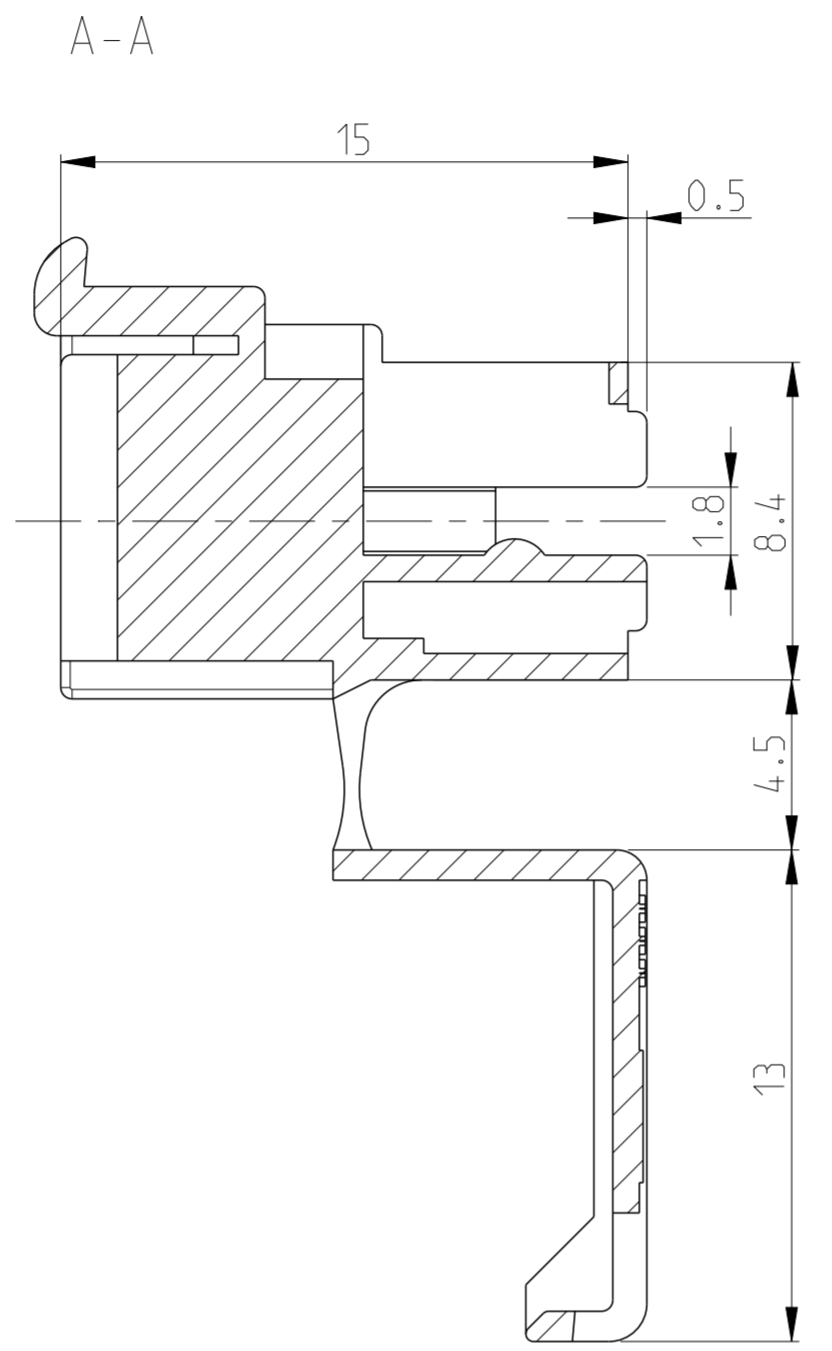
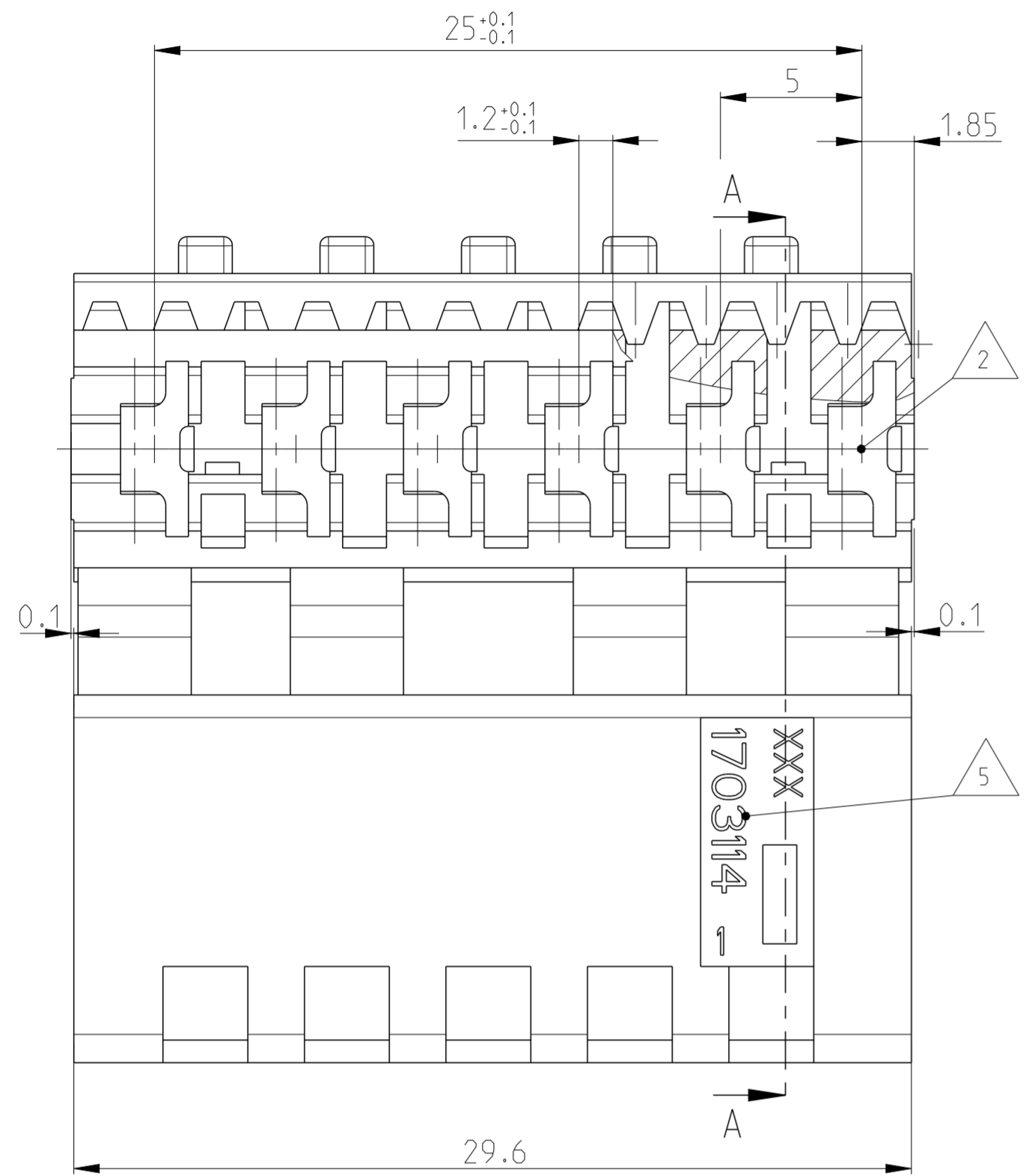
Email & Skype: info@chipsmall.com Web: www.chipsmall.com

Address: A1208, Overseas Decoration Building, #122 Zhenhua RD., Futian, Shenzhen, China



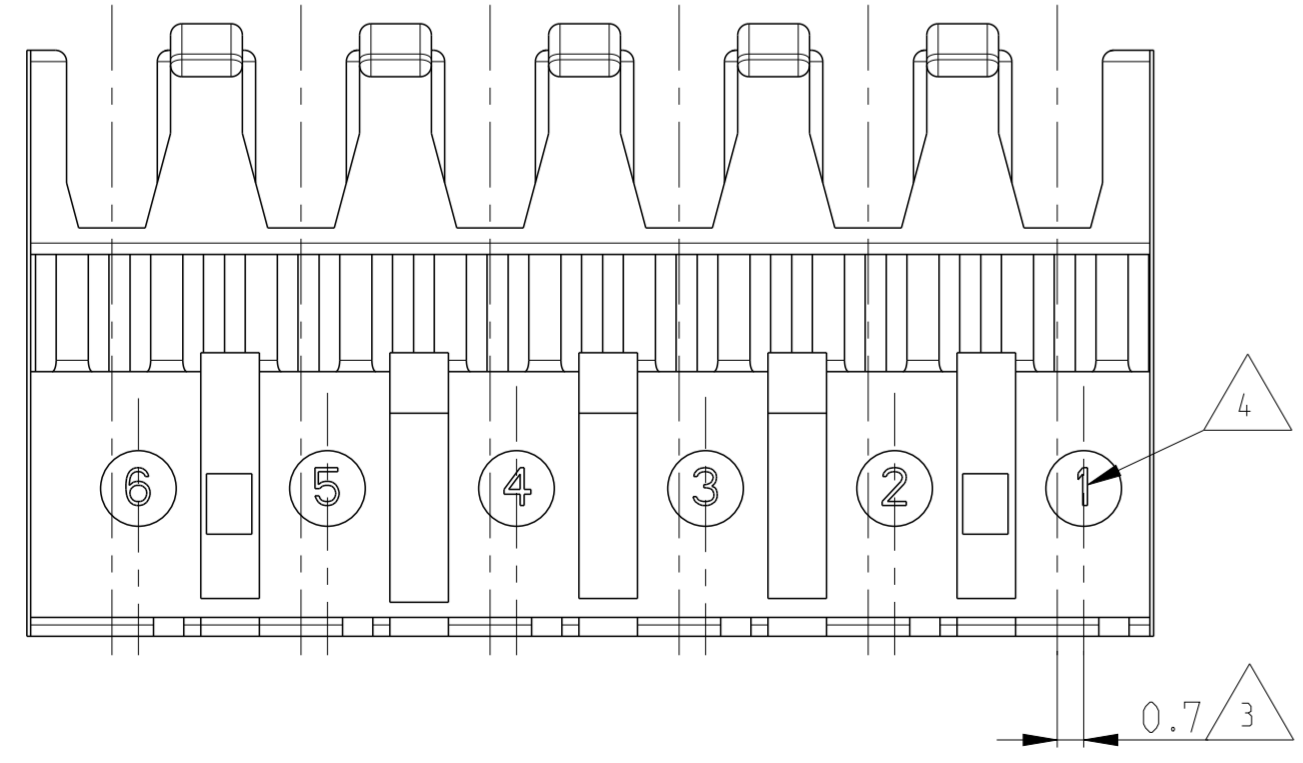
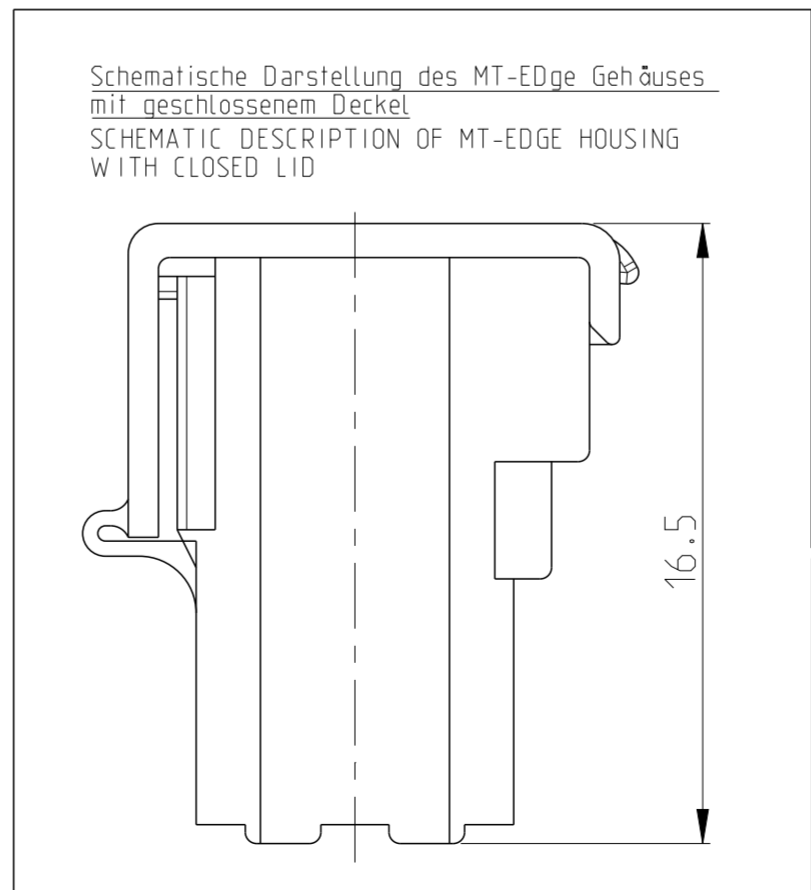
THIS DRAWING IS UNPUBLISHED. RELEASED FOR PUBLICATION 2003  
 © COPYRIGHT 2003 ALL RIGHTS RESERVED.

LOC	DIST	REVISIONS			
P	LTR	DESCRIPTION	DATE	DWN	APVD
A1	-				
B		ECR-12-002845	16APR2012	MDK	RRP
B1		ECR-13-010494	08JUL2013	MKD	RRP



Bemerkungen  
NOTES

- 1 Massgebend ist der deutsche Text  
ONLY THE GERMAN-LANGUAGE VERSION SHALL BE BINDING
- 2 Lage des Kontaktpunktes auf der Leiterplatte; Abweichung ±0.4  
POSITION OF CONTACT POINT ON BOARD; DEVIATION ±0.4
- 3 Kontaktierung zur Drahtmitte um 0.7mm versetzt  
CONTACTING 0.7mm DISPLACED TO WIRE CENTRELINE
- 4 Kontaktkammer-Nr.  
CONTACT CAVITY #
- 5 Firmenlogo und Leergehäuse-Nr.  
ARTWORK LOGO AND HOUSING # (NON LOADED)
- 6 Vierkantloch 2x2 mm wahlweise Rastloch Ø2.5 mm  
SQUARE HOLE 2x2 mm OPTIONAL LOCKING HOLE Ø2.5mm
- 7 Ausführung nach DIN 60249-2-4  
BOARD DESIGN ACCORDING TO DIN 60249-2-4
- 8 Crimp Kontakt-Nr.:  
Material: CuSn4 926770-1, 926917-1  
CRIMP CONTACT #: MATERIAL: CuSn4



1703114-1	MT-EDGE HOUSING	NATURE
PART-NO.:	DESCRIPTION	COLOUR

THIS DRAWING IS A CONTROLLED DOCUMENT.

DIMENSIONS: mm	TOLERANCES UNLESS OTHERWISE SPECIFIED:	DWN MAHNKE, B. 22SEP2004	TE Connectivity NAME 6 POS. MT-EDGE HOUSING RAST 5mm SIZE CAGE CODE DRAWING NO RESTRICTED TO A2 C-1703114 - SCALE 5:1 SHEET 1 OF 1 REV B1
MATERIAL PA6.6 / UL94V-2	FINISH	CHK STREDAK, F. 20DEC2004	
		APVD BLEICHER, M. 21DEC2004	
		PRODUCT SPEC 108-18003	
		APPLICATION SPEC 114-18002	
		WEIGHT 2.964 g	
		CUSTOMER DRAWING	