



Chipsmall Limited consists of a professional team with an average of over 10 year of expertise in the distribution of electronic components. Based in Hongkong, we have already established firm and mutual-benefit business relationships with customers from,Europe,America and south Asia,supplying obsolete and hard-to-find components to meet their specific needs.

With the principle of “Quality Parts,Customers Priority,Honest Operation,and Considerate Service”,our business mainly focus on the distribution of electronic components. Line cards we deal with include Microchip,ALPS,ROHM,Xilinx,Pulse,ON,Everlight and Freescale. Main products comprise IC,Modules,Potentiometer,IC Socket,Relay,Connector.Our parts cover such applications as commercial,industrial, and automotives areas.

We are looking forward to setting up business relationship with you and hope to provide you with the best service and solution. Let us make a better world for our industry!



## Contact us

Tel: +86-755-8981 8866 Fax: +86-755-8427 6832

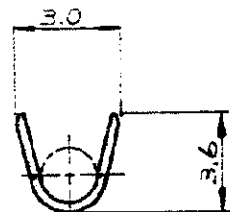
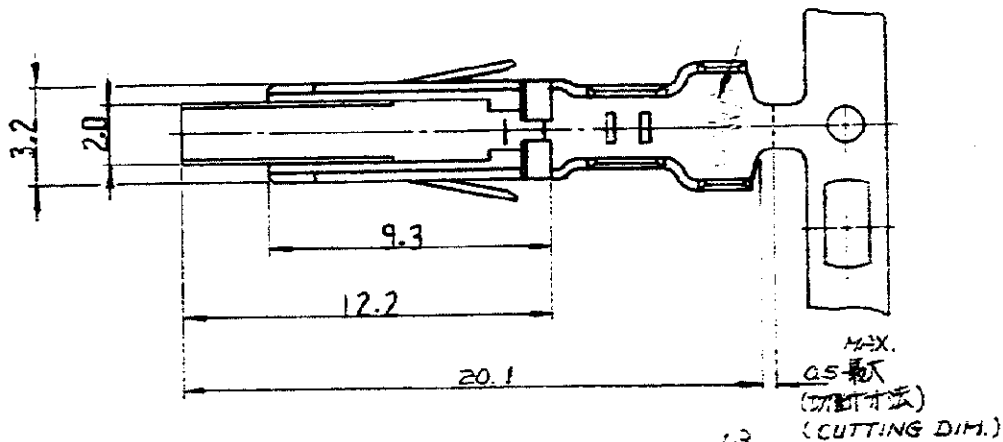
Email & Skype: info@chipsmall.com Web: www.chipsmall.com

Address: A1208, Overseas Decoration Building, #122 Zhenhua RD., Futian, Shenzhen, China

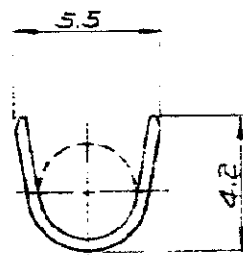
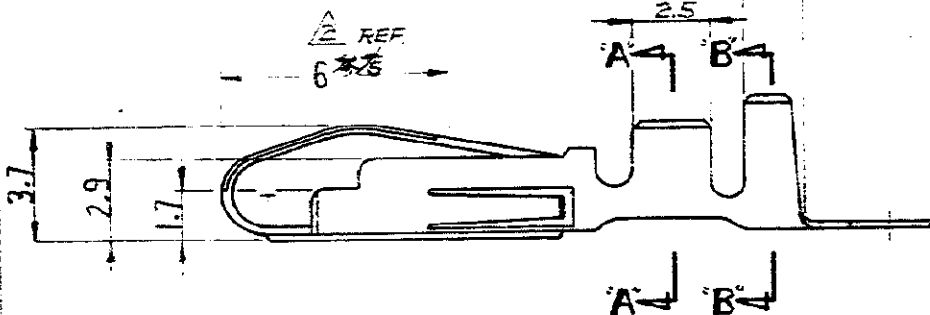


C-170312

TRADE MARK  
トレードマーク



断面 A-A  
SECT.



断面 B-B  
SECT.

注:

1. 通用ハウジング型番(以下通)

POS. 極数	MALE HSG オス・ハウジング	FEMALE HSG メス・ハウジング
16	172059	172068
12	172061	172069
8	172063	172070

△ 先端から約6mmまでの長端面は金めっき。  
他の部分はニッケルめっきである。

3 本端子はハウジング 両側電源部(4極)  
に使用される。

NOTES:

1. APPLICABLE HOUSING P/Ns ARE SHOWN IN TABLE OF LEFT SIDE.
2. △ GOLD PLATING ON CONTACT AREA OF 6mm FROM TOP, OTHERS ARE NICKEL PLATED.
- 3 THIS CONTACT IS USED FOR BOTH SIDES AS POWER (4 POS.) OF HOUSING.

170314-1 16極用 PWS. ER. 0.3A

170312-1

16極用型番 (NUMBER) 材料 (MATERIAL) 型番 (PART NUMBER)

170314-1 16極用 PWS. ER. 0.3A 170312-1  
参考図面  
CUSTOMER COPY  
REFERENCE ONLY

AMP 日本エー・エム・シー株式会社  
TOKYO, JAPAN

WIRE RANGE 0.86 ~ 2.10 mm AWG 18 ~ 14  
INSULATION DIA 2.25 ~ 3.9 mm

SCALE 4:1 J A C-170312 C

CONTACT (DRAWER CONNECTOR)

DIMENSIONS IN MM DO NOT SCALE PRINT

REV. NO.	DATE	BY	CHK.
1	18/79	K. YUASA	
2			
3			

REVISION RECORD DR. CHK. DATE