



Chipsmall Limited consists of a professional team with an average of over 10 year of expertise in the distribution of electronic components. Based in Hongkong, we have already established firm and mutual-benefit business relationships with customers from,Europe,America and south Asia,supplying obsolete and hard-to-find components to meet their specific needs.

With the principle of “Quality Parts,Customers Priority,Honest Operation,and Considerate Service”,our business mainly focus on the distribution of electronic components. Line cards we deal with include Microchip,ALPS,ROHM,Xilinx,Pulse,ON,Everlight and Freescale. Main products comprise IC,Modules,Potentiometer,IC Socket,Relay,Connector.Our parts cover such applications as commercial,industrial, and automotives areas.

We are looking forward to setting up business relationship with you and hope to provide you with the best service and solution. Let us make a better world for our industry!



Contact us

Tel: +86-755-8981 8866 Fax: +86-755-8427 6832

Email & Skype: info@chipsmall.com Web: www.chipsmall.com

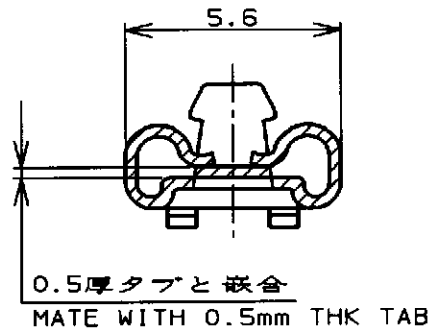
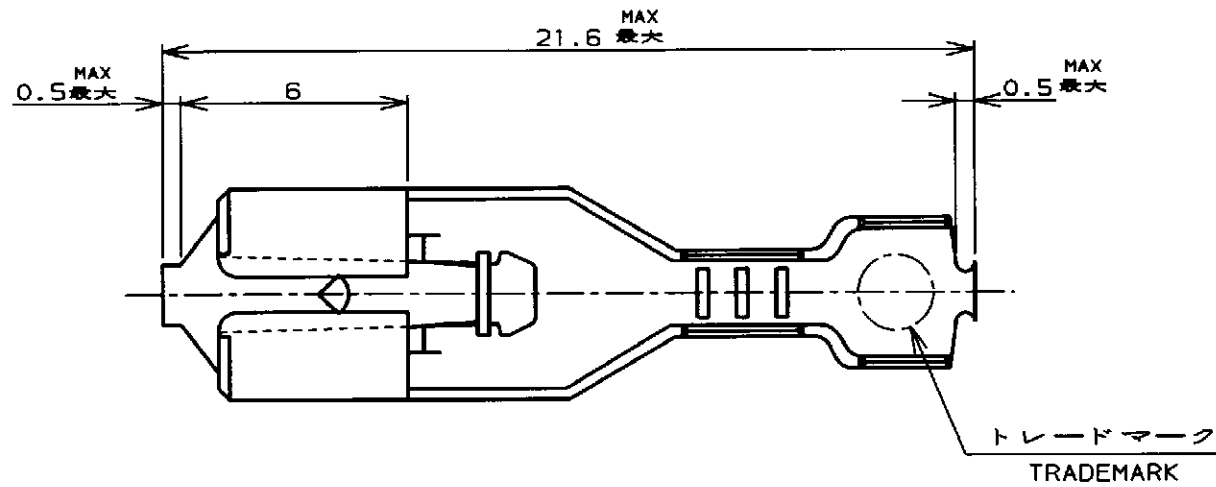
Address: A1208, Overseas Decoration Building, #122 Zhenhua RD., Futian, Shenzhen, China



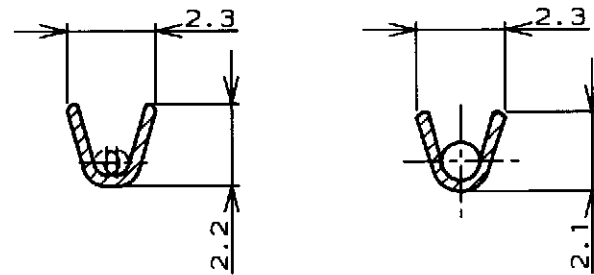
LOC J
DIST

REVISIONS

P	LTR	DESCRIPTION	DATE	DWN	APVD
H2		REVISED PER ECO-11-005030	22MAR11	RK	HMR

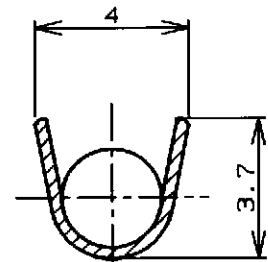
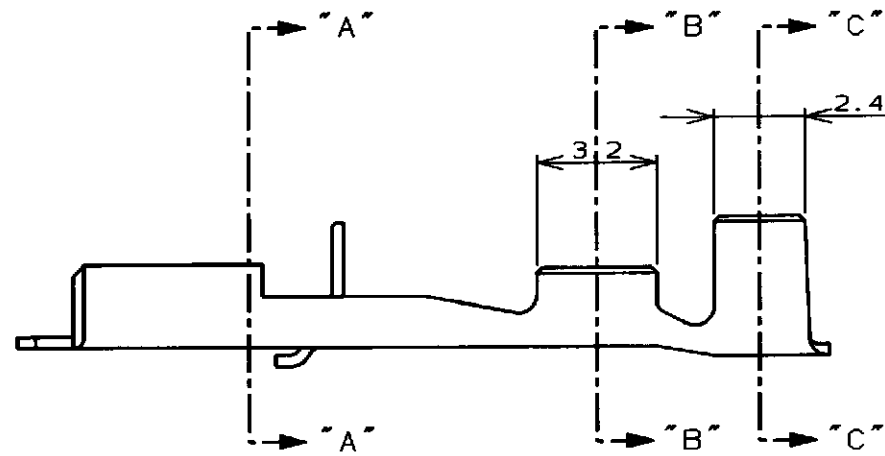


断面 "A"- "A"
SECTION "A"- "A"



TYPE "B" TYPE "A"

断面 "B"- "B"
SECTION "B"- "B"



断面 "C"- "C"
SECTION "C"- "C"

注;
1. 適用ハウジング型番
172074, 172075, 173974

NOTES;
1. APPLICABLE HOUSING P/N
172074, 172075, 173974

2. OBSOLETE PARTS: OBSOLETE CIS STREAMLINING
PER D.RENAUD/D.SINISI

2. OBSOLETE

---	A	錫めつき済 りん青銅0.3t PRE-TIN PHOS BRO 0.3t THK	170324-5
170330-2	A	ニッケルめつき仕上 りん青銅0.3t PHOS BRO 0.3t THK NICKEL PL	170324-2
---	B		↑ 170324-4
170330-1	A	錫めつき済黄銅0.3t PRE-TIN BRASS 0.3t THK	170324-1
ばら状端子型番 LOOSE PIECE P/N	ワイヤバレルタイプ WIRE BARREL TYPE	材料 MATERIAL	型番 STRIP FORM P/N

WIRE RANGE AWG#24-#20
0.22~0.53mm²
INSULATION DIA
1.5~2.7φmm

DIMENSIONS 単位: 純 mm		TOLERANCES UNLESS OTHERWISE SPECIFIED 一般公差		DWN 4.AUG.98 CHK M. Shu 4.AUG.98 APVD M. Shu 4.AUG.98 NAME "187" SERIES POSITIVE LOCK (MARK II) REC. "187" シリーズポジティブロック (マーク II) リセブタクル	
MATERIAL 材料 SEE TABLE 表参照		FINISH 仕上 SEE TABLE 表参照		PRODUCT SPEC 製品規格 108-5126	
ANGLE. ±3°		APPLICATION SPEC 取付適用規格 114-5041		DRAWING NO 番号 C-170324	
CUSTOMER DRAWING		WEIGHT ---		SIZE A3 CAGE CODE 00779 RESTRICTED TO 番号	
SCALE 尺度 5-1		SHEET 1 OF 1		REV H2	

STE TE Connectivity