



Chipsmall Limited consists of a professional team with an average of over 10 year of expertise in the distribution of electronic components. Based in Hongkong, we have already established firm and mutual-benefit business relationships with customers from,Europe,America and south Asia,supplying obsolete and hard-to-find components to meet their specific needs.

With the principle of “Quality Parts,Customers Priority,Honest Operation,and Considerate Service”,our business mainly focus on the distribution of electronic components. Line cards we deal with include Microchip,ALPS,ROHM,Xilinx,Pulse,ON,Everlight and Freescale. Main products comprise IC,Modules,Potentiometer,IC Socket,Relay,Connector.Our parts cover such applications as commercial,industrial, and automotives areas.

We are looking forward to setting up business relationship with you and hope to provide you with the best service and solution. Let us make a better world for our industry!



## Contact us

Tel: +86-755-8981 8866 Fax: +86-755-8427 6832

Email & Skype: info@chipsmall.com Web: www.chipsmall.com

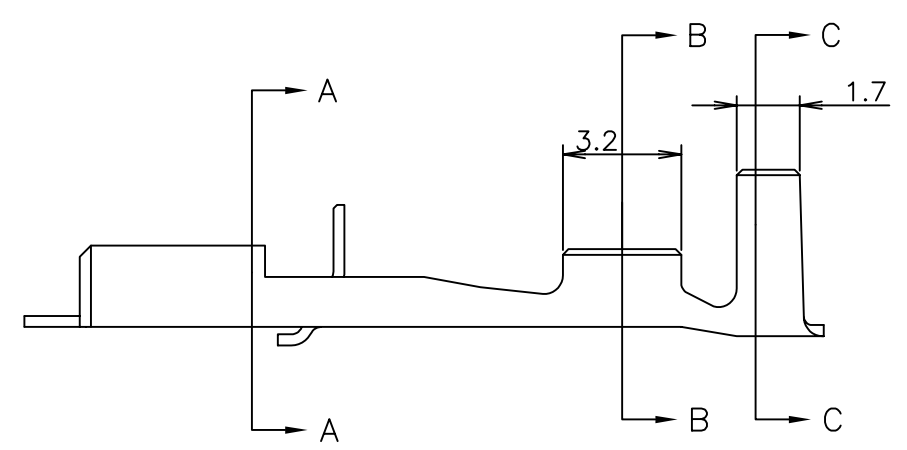
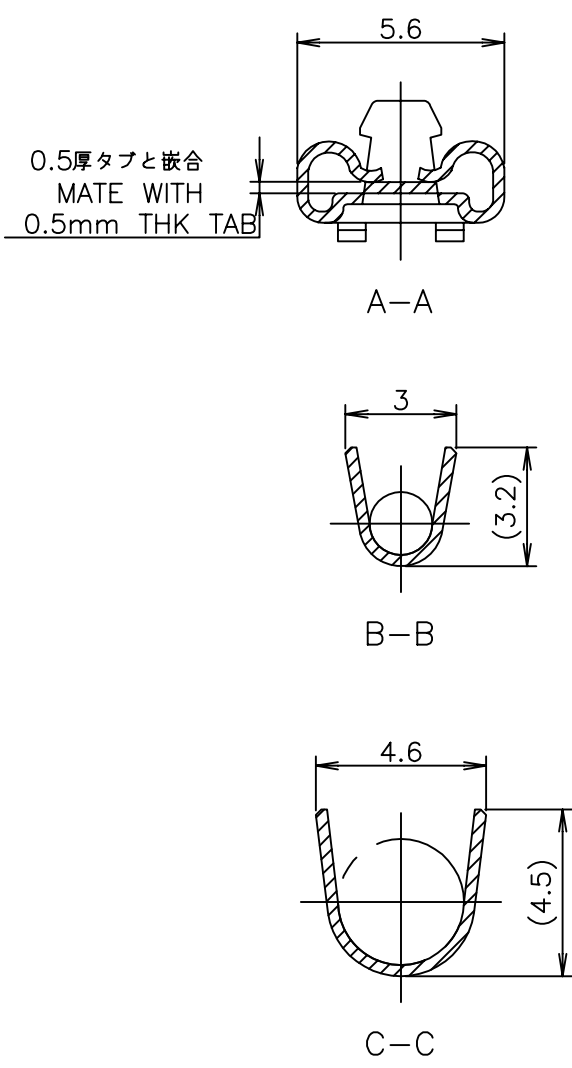
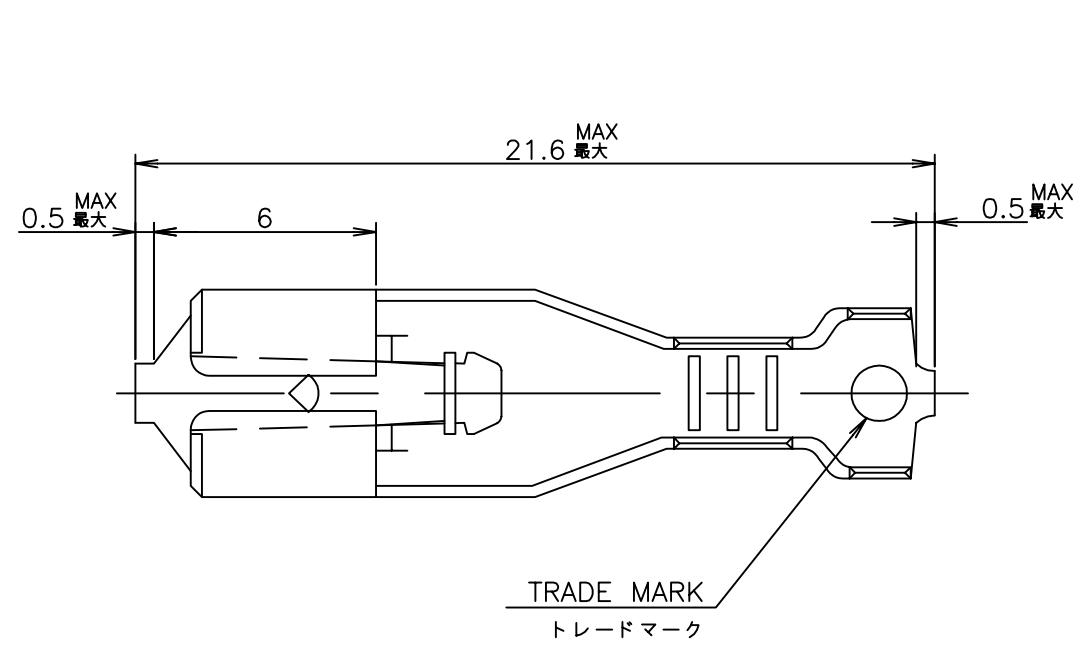
Address: A1208, Overseas Decoration Building, #122 Zhenhua RD., Futian, Shenzhen, China



THIS DRAWING IS UNPUBLISHED. RELEASED FOR PUBLICATION AUG, 1998.  
 © COPYRIGHT 1998 By Tyco Electronics Japan G.K. ALL RIGHTS RESERVED.

LOC	DIST	REVISIONS 変更			
P	LTR	DESCRIPTION	DATE	DWN	APVD
J		REVISED PER ECR-12-011159	27JUN12	B.P	F.M

—\*; AS SHOWN



- 1 適用ハウジング型番  
172074, 172075
- 1 APPLICABLE HOUSING P/N  
172074, 172075
- 2 PARTS 170325-7 & 170331-7 WERE APPLIED  
NYE LUBE.

170331-7	170325-1	170325-7
—H—	錫めっき済高耐熱銅合金 0.3t PRE-TIN HIGH HEAT RESISTANCE COPPER ALLOY 0.3t THK	170325-6
—H—	錫めっき済 リン青銅 0.3t PRE-TIN PHOS BRO 0.3t THK	170325-5
OBSOLETE	170331-2	170325-2
	ニッケルめっき仕上 リン青銅 0.3t PHOS BRO 0.3t THK NICKEL PL	
	170331-1	170325-1
	錫めっき済黄銅 0.3t PRE-TIN BRASS 0.3t THK	
	ばら状端子型番 LOOSE PIECE P/N	材料 MATERIAL
		型番 STRIP FORM P/N
WIRE RANGE 包合電線断面積 AWG#20-#16 0.51~1.38 mm <sup>2</sup>		INSULATION DIA 被覆外径 1.9~3.4 mmφ

THIS DRAWING IS A CONTROLLED DOCUMENT.		DWN	M.SUZUKI	04AUG1998
DIMENSIONS: 単位: 耗 mm		CHK	H.TAGUCHI	04AUG1998
TOLERANCES UNLESS OTHERWISE SPECIFIED: 一般公差		APVD	H.TAGUCHI	04AUG1998
0 PLC ±—		PRODUCT SPEC	製品規格	108-5126
1 PLC ±—		APPLICATION SPEC	取付適用規格	114-5041
2 PLC ±—		WEIGHT		
3 PLC ±—		CUSTOMER DRAWING		
4 PLC ±—		SCALE 5:1 SHEET 1 of 1 REV J		
ANGLES ±3°				
MATERIAL 材料	FINISH 仕上			
SEE TABLE	SEE TABLE			

GENERAL TOLERANCE 一般公差	
10 ≥ :	±0.2
30 ≥ > 10:	±0.25
100 ≥ > 30:	±0.3
ANGLES: ±3°	

**TE** TE Connectivity

NAME 187 SERIES POSITIVE LOCK MARK II REC.  
187シリーズポジティブロック(マークII)リセプタクル

SIZE A3 CAGE CODE 00779 DRAWING NO 170325 RESTRICTED TO