



Chipsmall Limited consists of a professional team with an average of over 10 year of expertise in the distribution of electronic components. Based in Hongkong, we have already established firm and mutual-benefit business relationships with customers from,Europe,America and south Asia,supplying obsolete and hard-to-find components to meet their specific needs.

With the principle of "Quality Parts,Customers Priority,Honest Operation,and Considerate Service",our business mainly focus on the distribution of electronic components. Line cards we deal with include Microchip,ALPS,ROHM,Xilinx,Pulse,ON,Everlight and Freescale. Main products comprise IC,Modules,Potentiometer,IC Socket,Relay,Connector.Our parts cover such applications as commercial,industrial, and automotives areas.

We are looking forward to setting up business relationship with you and hope to provide you with the best service and solution. Let us make a better world for our industry!



## Contact us

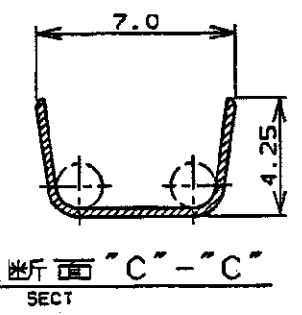
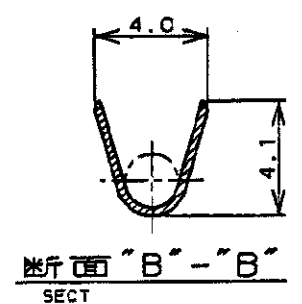
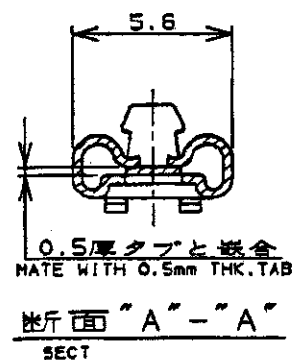
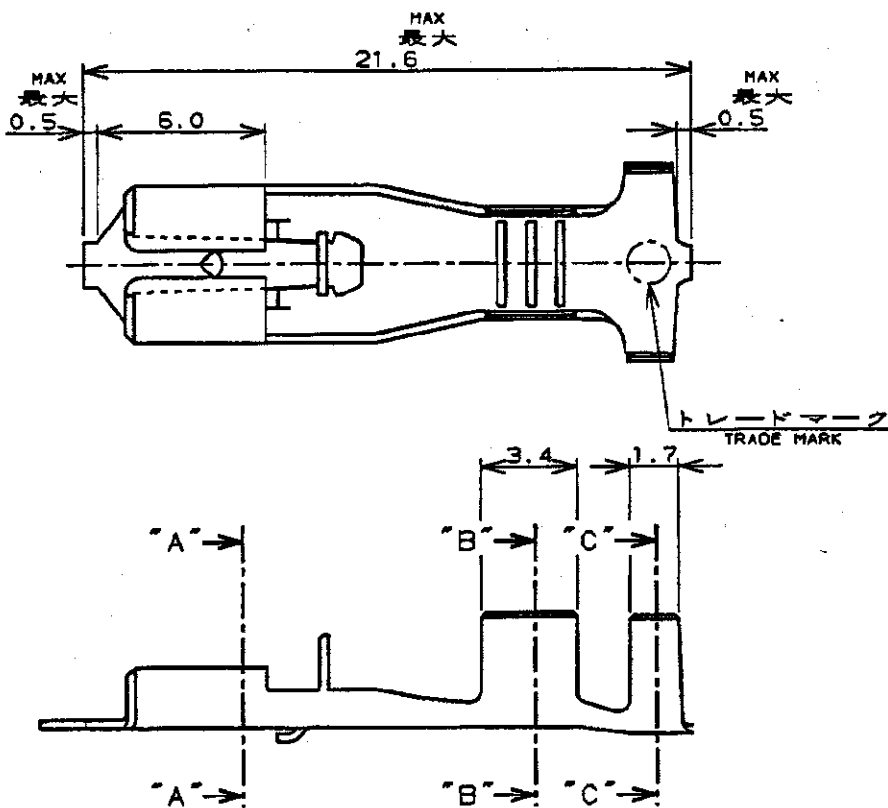
Tel: +86-755-8981 8866 Fax: +86-755-8427 6832

Email & Skype: info@chipsmall.com Web: www.chipsmall.com

Address: A1208, Overseas Decoration Building, #122 Zhenhua RD., Futian, Shenzhen, China



LOC	DIST	REVISIONS					
J	ZDI	P	LTR	DESCRIPTION	DATE	OWN	APVD
		E2		REVISED PER ECO-11-005030	22MAR11	RK	HMR



- 注記;
1. 適用ハウジング型番 ; 172074, 172075
  2. 適用製品規格 ; 108-5126
  3. 取付適用規格 ; 114-5041
  4. 被覆外径;
    - 1本圧着 ; 2.1-3.6φ
    - 2本圧着 ; 合計外径5.5mm以下 (1本の外径は1.6-3.1φ)

- NOTES;
1. APPLICABLE HOUSING P/N ; 172074, 172075
  2. APPLICABLE PRODUCT SPEC ; 108-5126
  3. APPLICABLE APPLICATION SPEC ; 114-5041
  4. INSULATION DIA;  
ONE WIRE ; 2.1-3.6φ  
TWO WIRE ; OUTSIDE DIAMETER  
5.5mm MAX  
(SINGLE WIRE 1.6-3.1φ)
- ⚠ OBSOLETE PARTS: OBSOLETE CIS STREAMLINING PER D.RENAUD/D.SINISI

---	錫めっき済高耐熱銅合金 0.3t PRE-TIN HIGH HEAT RESISTANCE COPPER ALLOY 0.3t	170326-6 ⚠
---	錫めっき済リン青銅 0.3t PRE-TIN PHOS BRO 0.3t	170326-5
170332-1	錫めっき付黄銅 0.3t PRE-TIN BRASS 0.3t	170326-1
ばら状端子型番 LOOSE PIECE P/N	材料 MATERIAL	型番 P/N
WIRE RANGE 被覆電線断面積 0.7-2.08mm <sup>2</sup> (AWG#18-#14)	INSULATION DIA 被覆外径 注4参照 SEE NOTES 4	

RELEASED FOR PUBLICATION  
ALL RIGHTS RESERVED.  
THIS DRAWING IS UNPUBLISHED.  
COPYRIGHT

DIMENSIONS,  
單位 ㎜

TOLERANCES UNLESS OTHERWISE SPECIFIED.

一般公差	10% ±0.2
30%	±0.25
100%	±0.3
ANGLE	±0.3

±0.4

OWN *M. Nardis* 11/8 '95

CHK *M. Suzuki* 8 NOV '95

APVD *[Signature]* 8 NOV '95

PRODUCT SPEC  
製品規格  
注2参照  
SEE NOTES 2

APPLICATION SPEC  
取付適用規格  
注3参照  
SEE NOTES 3

WEIGHT ---

MATERIAL 表参照  
材料 SEE TABLE

FINISH 仕上

**TE** TE Connectivity

NAME 名称  
"187"シリーズポジティブロック(マークII)リセプタクル  
"187" SERIES POSITIVE LOCK (MARK-II) REC.

SIZE	CAGE CODE	DRAWING NO
A4	00779	C-170326

CUSTOMER DRAWING

SCALE 尺 4:1 SHEET 1 OF 1 REV E2