



Chipsmall Limited consists of a professional team with an average of over 10 year of expertise in the distribution of electronic components. Based in Hongkong, we have already established firm and mutual-benefit business relationships with customers from,Europe,America and south Asia,supplying obsolete and hard-to-find components to meet their specific needs.

With the principle of “Quality Parts,Customers Priority,Honest Operation,and Considerate Service”,our business mainly focus on the distribution of electronic components. Line cards we deal with include Microchip,ALPS,ROHM,Xilinx,Pulse,ON,Everlight and Freescale. Main products comprise IC,Modules,Potentiometer,IC Socket,Relay,Connector.Our parts cover such applications as commercial,industrial, and automotives areas.

We are looking forward to setting up business relationship with you and hope to provide you with the best service and solution. Let us make a better world for our industry!



## Contact us

Tel: +86-755-8981 8866 Fax: +86-755-8427 6832

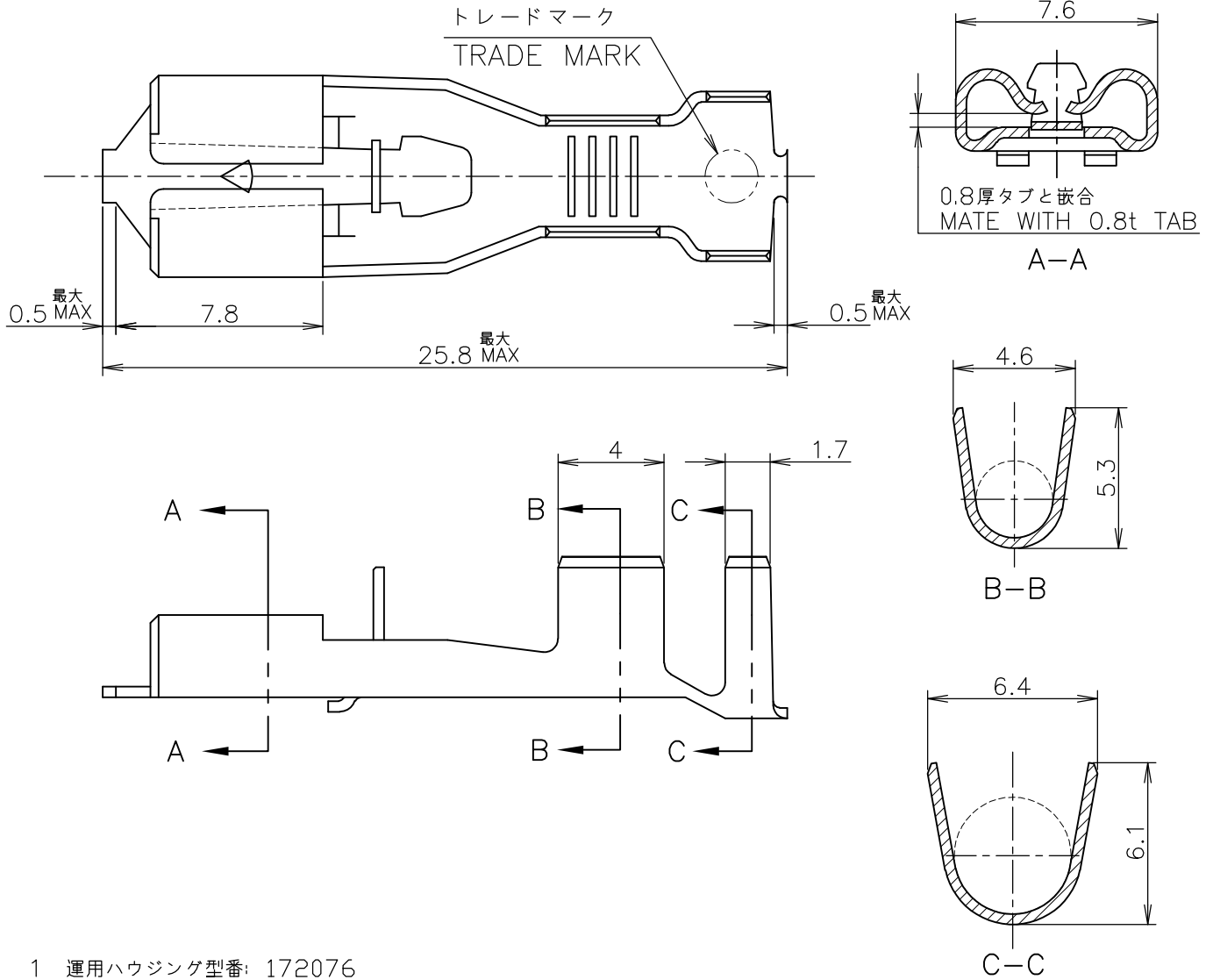
Email & Skype: info@chipsmall.com Web: www.chipsmall.com

Address: A1208, Overseas Decoration Building, #122 Zhenhua RD., Futian, Shenzhen, China



LOC J	DIST /	REVISIONS 変更			DATE	DWN	APVD
P	LTR	DESCRIPTION	DATE	DWN	APVD		
	F	REDRAWN ECR-10-023816	26NOV2010	T.T	T.M		

-1; AS SHOWN



1 運用ハウジング型番: 172076

1 APPLICABLE HOUSING P/N: 172076

170335-1	PRE TINNED BRASS 錫めっき付 黄銅 0.4t	170329-1
LOOSE PIECE NO. ばら状端子型番	MATERIAL 材料	P/N 型番

WIRE RANGE 抱合電線断面積	AWG #15-#10 1.75~5.2 mm <sup>2</sup>	INSULATION DIA 被覆外径	3.0~5.1 mm $\phi$
-----------------------	---	------------------------	-------------------

THIS DRAWING IS UNPUBLISHED. AUG 1, 1998. ALL INTERNATIONAL RIGHTS RESERVED.

COPYRIGHT 1998 BY TYCO ELECTRONICS CORPORATION.

DIMENSIONS: 単位: 耗 mm	DWN M.SUZUKI 07AUG1998	MATERIAL 材料 表参照 SEE TABLE	FINISH 仕上
	CHK M.SHINDO 18AUG1998	Tyco Electronics Corporation Kawasaki, Japan	
TOLERANCES UNLESS OTHERWISE SPECIFIED: 一般公差	APVD M.SHINDO 18AUG1998	NAME 名称 250 SERIES POSITIVE LOCK MARK II REC. 250 シリーズ ポジティブロック マークII リセブタクル	
	PRODUCT SPEC 製品規格 108-5127	SIZE A4	CAGE CODE 00779
0 PLC $\pm$	APPLICATION SPEC 取付適用規格 114-5042	RESTRICTED TO	
1 PLC $\pm$ 10 $\geq$ : $\pm 0.2$	WEIGHT	SCALE 尺度 4:1	
2 PLC $\pm$ 30 $\geq$ > 10: $\pm 0.25$	CUSTOMER DRAWING	SHEET 1 OF 1	
3 PLC $\pm$ 100 $\geq$ > 30: $\pm 0.3$		REV F	
4 PLC $\pm$			
ANGLES $\pm 3'$			