



Chipsmall Limited consists of a professional team with an average of over 10 year of expertise in the distribution of electronic components. Based in Hongkong, we have already established firm and mutual-benefit business relationships with customers from,Europe,America and south Asia,supplying obsolete and hard-to-find components to meet their specific needs.

With the principle of “Quality Parts,Customers Priority,Honest Operation,and Considerate Service”,our business mainly focus on the distribution of electronic components. Line cards we deal with include Microchip,ALPS,ROHM,Xilinx,Pulse,ON,Everlight and Freescale. Main products comprise IC,Modules,Potentiometer,IC Socket,Relay,Connector.Our parts cover such applications as commercial,industrial, and automotives areas.

We are looking forward to setting up business relationship with you and hope to provide you with the best service and solution. Let us make a better world for our industry!



## Contact us

Tel: +86-755-8981 8866 Fax: +86-755-8427 6832

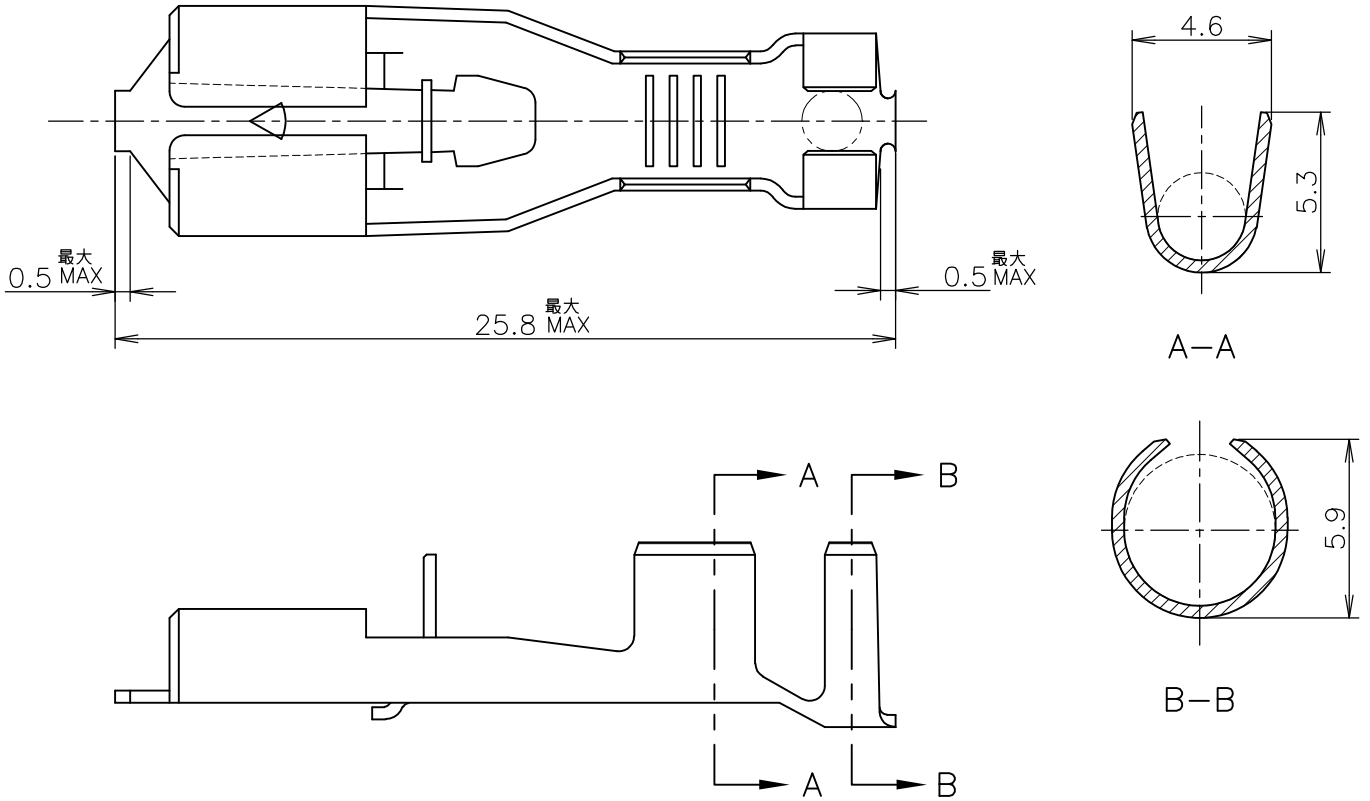
Email & Skype: info@chipsmall.com Web: www.chipsmall.com

Address: A1208, Overseas Decoration Building, #122 Zhenhua RD., Futian, Shenzhen, China



LOC J	DIST /	REVISIONS 変更			DATE	DWN	APVD
		P	LTR	DESCRIPTION			
			F	REDRAWN ECR-10-023816	26NOV2010	T.T	T.M

-1; AS SHOWN



- ⚠ 適用手動工具は使用電線により2種類。(取付適用規格番号 114-5042)
- ⚠ THERE ARE TWO TYPE HAND TOOLS BY USE WIRE. (APPLICATION SPEC: 114-5042)

WIRE mm2 (AWG) 適用電線	HAND TOOL P/N 適用工具型番
1.75-2.27 (#15-#14)	911775-1
3.08-5.27 (#12-#10)	911776-1

IS-392J	911775-1 911776-1	⚠	170329-1	PRE TINNED BRASS 錫めっき付 黄銅 0.41t	170335-1
INSTRUCTION NO. 取扱説明書番号	HAND TOOL P/N 手動工具型番		STRIP NO. 連鎖状端子型番	MATERIAL 材料	P/N 型番

WIRE RANGE 抱合電線断面積	AWG #15-#10 1.75~5.4 mm <sup>2</sup>	INSULATION DIA 被覆外径	3.0~5.1 mm $\phi$
-----------------------	---	------------------------	-------------------

DIMENSIONS: 単位: 耗 mm	DWN T.TSUZAKI	24NOV2010	MATERIAL 材料	表参照	FINISH 仕上	
	CHK T.MASUDA	26NOV2010	Tyco Electronics Corporation Kawasaki, Japan			
TOLERANCES UNLESS OTHERWISE SPECIFIED: 一般公差	APVD T.MASUDA	26NOV2010				
0 PLC $\pm$	PRODUCT SPEC 製品規格		SIZE	A4	CAGE CODE	00779
1 PLC $\pm$	APPLICATION SPEC 取付適用規格		DRAWING NO 番号	C-170335		RESTRICTED TO /
2 PLC $\pm$						
3 PLC $\pm$						
4 PLC $\pm$						
ANGLES $\pm 3'$	WEIGHT					
	CUSTOMER DRAWING		SCALE 尺度	4:1	SHEET 1 OF 1	REV F

RELEASED FOR PUBLICATION  
DEC 1, 1978.

ALL INTERNATIONAL RIGHTS RESERVED.

THIS DRAWING IS UNPUBLISHED.

ALL INTERNATIONAL RIGHTS RESERVED.

© COPYRIGHT 1978 BY TYCO ELECTRONICS CORPORATION.