



Chipsmall Limited consists of a professional team with an average of over 10 year of expertise in the distribution of electronic components. Based in Hongkong, we have already established firm and mutual-benefit business relationships with customers from,Europe,America and south Asia,supplying obsolete and hard-to-find components to meet their specific needs.

With the principle of “Quality Parts,Customers Priority,Honest Operation,and Considerate Service”,our business mainly focus on the distribution of electronic components. Line cards we deal with include Microchip,ALPS,ROHM,Xilinx,Pulse,ON,Everlight and Freescale. Main products comprise IC,Modules,Potentiometer,IC Socket,Relay,Connector.Our parts cover such applications as commercial,industrial, and automotives areas.

We are looking forward to setting up business relationship with you and hope to provide you with the best service and solution. Let us make a better world for our industry!



Contact us

Tel: +86-755-8981 8866 Fax: +86-755-8427 6832

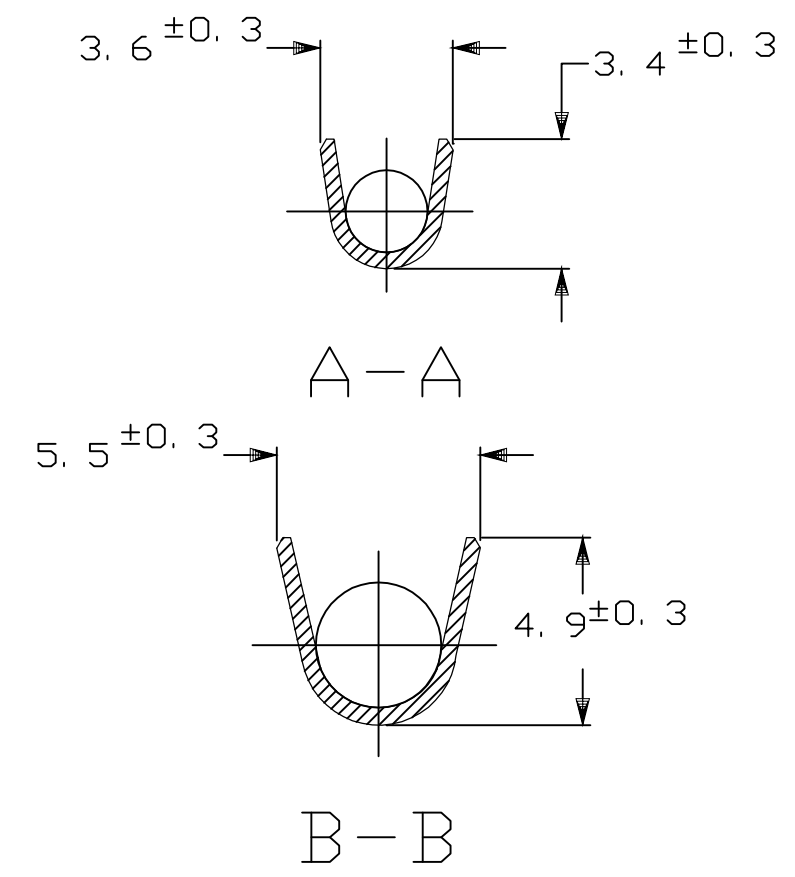
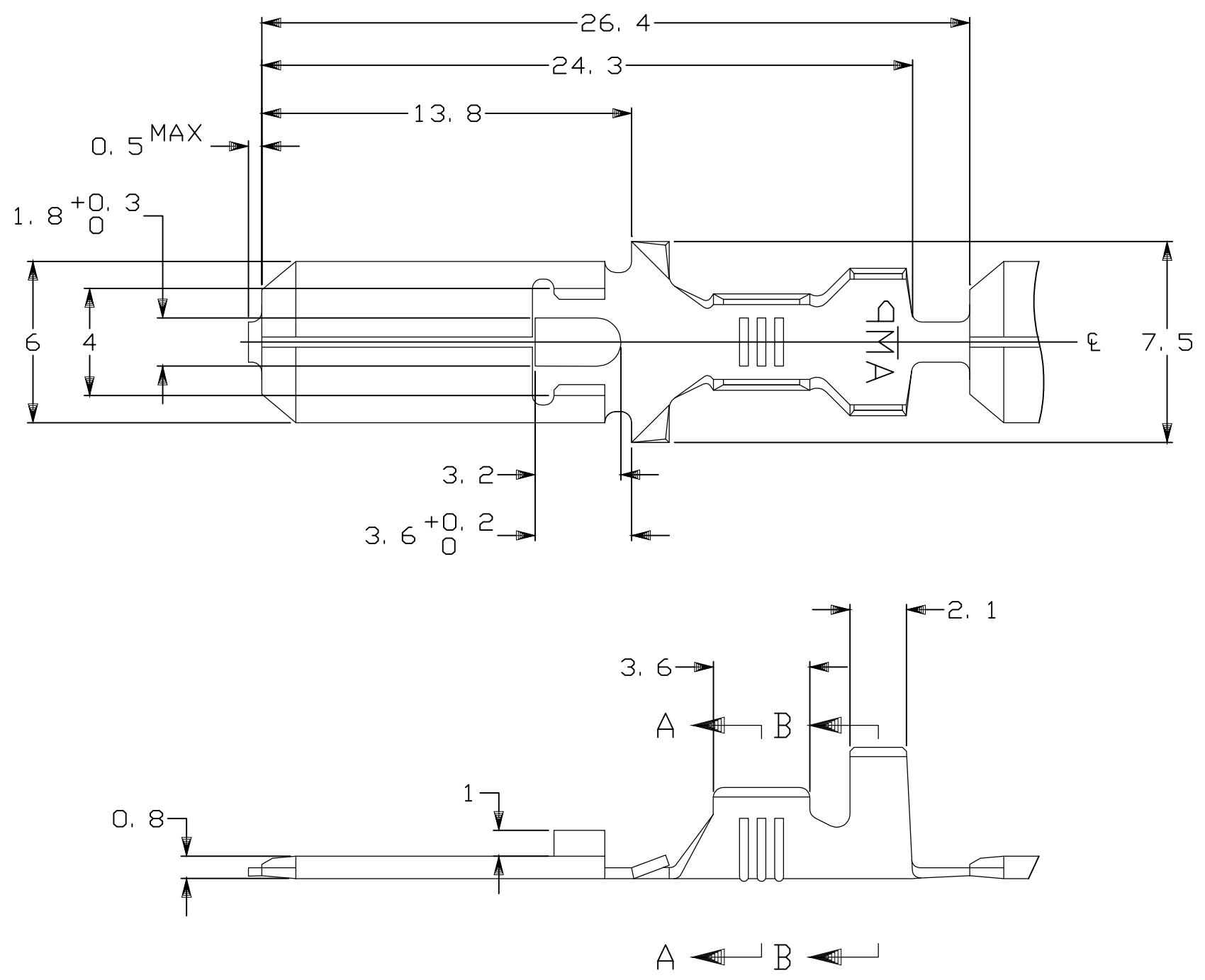
Email & Skype: info@chipsmall.com Web: www.chipsmall.com

Address: A1208, Overseas Decoration Building, #122 Zhenhua RD., Futian, Shenzhen, China



THIS DRAWING IS UNPUBLISHED. RELEASED FOR PUBLICATION
 © COPYRIGHT - By - ALL RIGHTS RESERVED.

LOC	DIST	REVISIONS		
J	-	P	LTR	DESCRIPTION
				DATE
				DWN
				APVD
		C3	REVISED PER ECO-11-005030	11MAR11
				RK
				HMR



△ REVERSE REEL OF 170340-3
 △ 170340-3、逆巻リール

△	---	PRE-TIN BRASS t0.41	---	1-170340-3
	---	PRE-TIN BRASS t0.41	179462-3	170340-3
	---	BRASS t0.41	---	170340-1
	FINISH	MATERIAL	LOOSE PIECE NUMBER	PART NUMBER

THIS DRAWING IS A CONTROLLED DOCUMENT.

DIMENSIONS: 単位: 耗 mm	TOLERANCES UNLESS OTHERWISE SPECIFIED: 一般公差
	0 PLC ± -
	1 PLC 10 ± - ±0.2
	2 PLC 30 ± - ±0.25
	3 PLC ANGLE: ±3°
	4 PLC ± -
	ANGLES ± -
MATERIAL 材料	FINISH 仕上
SEE TABLE	SEE TABLE

DWN	19AUG98
A.YAMAGUCHI	
CHK	26AUG98
K.BETSUI	
APVD	26AUG98
K.BETSUI	
PRODUCT SPEC	
製品規格	108-5147
APPLICATION SPEC	
取付適用規格	114-5052
WEIGHT	0.76g

WIRE RANGE 包合電線断面積	<0.5~2.27mm SQ> #20~#14	INSULATION DIA 被覆外径	2.1~3.4 DIA
STE TE Connectivity			
NAME 名称		250 SERIES TAB WITHOUT LATCH 250シリーズ ラッチ無しタブ	
SIZE	CAGE CODE	DRAWING NO 番号	RESTRICTED TO
A3	00779	C-170340	-
CUSTOMER DRAWING		SCALE 尺度	5:1
		SHEET	1 OF 1
		REV	C3