



Chipsmall Limited consists of a professional team with an average of over 10 year of expertise in the distribution of electronic components. Based in Hongkong, we have already established firm and mutual-benefit business relationships with customers from,Europe,America and south Asia,supplying obsolete and hard-to-find components to meet their specific needs.

With the principle of “Quality Parts,Customers Priority,Honest Operation,and Considerate Service”,our business mainly focus on the distribution of electronic components. Line cards we deal with include Microchip,ALPS,ROHM,Xilinx,Pulse,ON,Everlight and Freescale. Main products comprise IC,Modules,Potentiometer,IC Socket,Relay,Connector.Our parts cover such applications as commercial,industrial, and automotives areas.

We are looking forward to setting up business relationship with you and hope to provide you with the best service and solution. Let us make a better world for our industry!



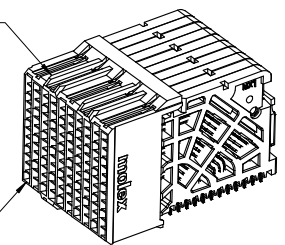
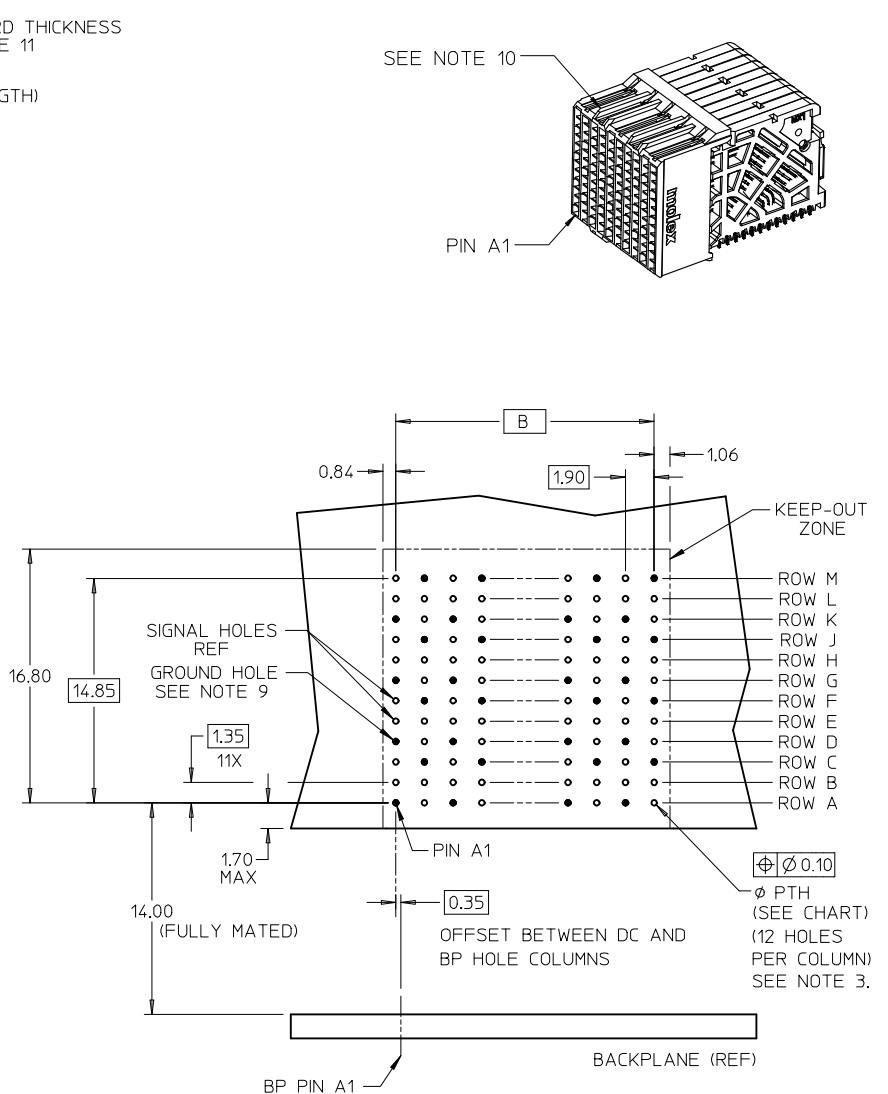
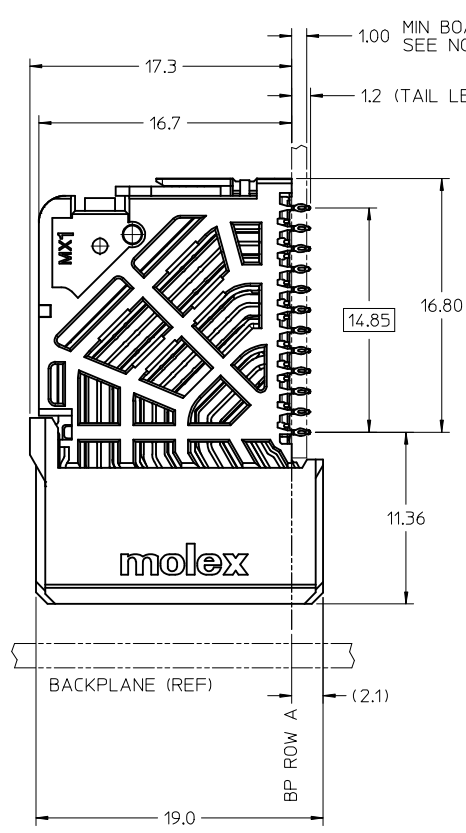
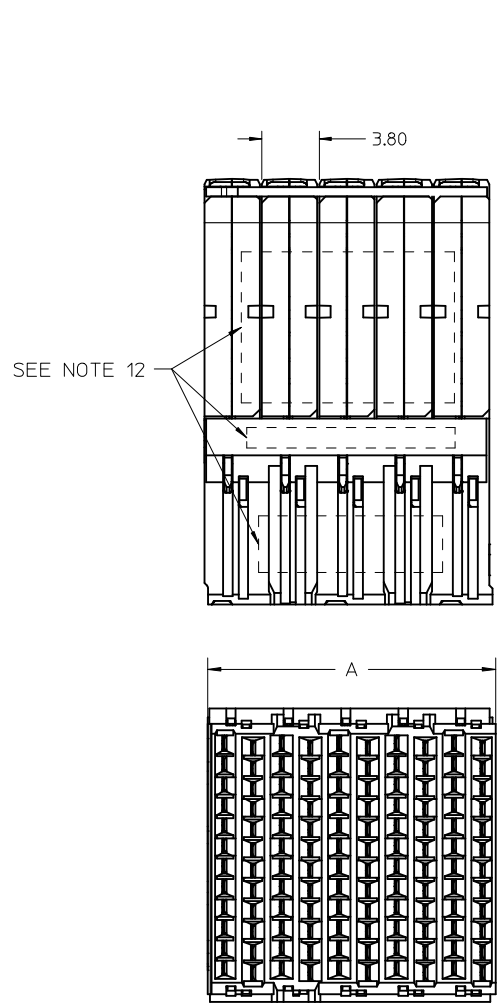
## Contact us

Tel: +86-755-8981 8866 Fax: +86-755-8427 6832

Email & Skype: info@chipsmall.com Web: www.chipsmall.com

Address: A1208, Overseas Decoration Building, #122 Zhenhua RD., Futian, Shenzhen, China





DAUGHTERCARD HOLE PATTERN  
(CONNECTOR SIDE)

- NOTES:
1. MATERIALS: HOUSING - GRAY LIQUID CRYSTAL POLYMER (LCP), GLASS-FILLED, UL94V-0 TERMINALS - HIGH PERFORMANCE COPPER ALLOY
  2. FINISH: 30µM MIN SELECTIVE GOLD IN CONTACT AREA, SELECTIVE TIN ON PCB TAILS, NICKEL OVERALL.
  3. REFER TO MOLEX PRODUCT SPEC PS-170540-999 FOR PERFORMANCE SPECIFICATIONS AND ADDITIONAL PCB INFORMATION.
  4. EACH SIGNAL WAFER CONTAINS 2 COLUMNS OF TERMINALS.
  5. PRODUCT IS PACKAGED PER PK-70873-610.
  6. THIS PART CONFORMS TO CLASS B REQUIREMENTS OF COSMETIC SPEC PS-45499-002.
  7. REFER TO MOLEX SALES DRAWING SD-170335-0001 FOR THE MATING HEADERS.
  8. REFER TO MOLEX PCB ROUTING GUIDE AS-76060-990 FOR THE ANTIPAD AND ROUTING RECOMMENDATIONS.
  9. GROUND PATHS ARE NOT DISCRETE CIRCUITS WITHIN CONNECTOR DUE TO PRESENCE OF PLUS CLIP.
  10. PART NUMBER 170340-1020 SHOWN ON DRAWING. KEYING FEATURES WILL CHANGE WITH COLUMN SIZE.
  11. MINIMUM BOARD THICKNESS IS 1.00 mm FOR COMPLIANT PIN FUNCTIONALITY.
  12. MARKING: LOCATED APPROXIMATELY AS SHOWN, PART NUMBER AND DATE CODE.


<b>ADD LASER MARK INFO</b> EC NO: UCP2016-3973 DRWING:VARVARA 2015/08/19 CHKD:TELO 2016/02/22 APPR:TELO 2016/04/20	<b>QUALITY SYMBOLS</b> 	<b>GENERAL TOLERANCES (UNLESS SPECIFIED)</b>		<b>DIMENSION STYLE</b> <b>MM ONLY</b>	<b>SCALE</b> <b>4:1</b>	<b>DESIGN UNITS</b> <b>METRIC</b>	<b>THIRD ANGLE PROJECTION</b>	
		4 PLACES ± --- ± --- 3 PLACES ± --- ± --- 2 PLACES ± 0.13 ± --- 1 PLACE ± 0.25 ± --- 0 PLACE ± ±	mm INCH DRAWN BY DATE TELO 2010/05/12 CHECKED BY DATE KBENES 2011/01/24 APPROVED BY DATE JB INGHAM 2012/04/16	<b>TITLE</b> <b>IMPACT 4-PAIR 85-OHM DAUGHTERCARD SIGNAL UNGUIDED SALES DRAWING</b>		<b>DOCUMENT NO.</b> <b>SD-170340-0001</b>	<b>SHEET NO.</b> <b>1 OF 2</b>	
		<b>ANGULAR ±1/2°</b>		<b>SEE CHART</b>				
		<b>DRAFT WHERE APPLICABLE MUST REMAIN WITHIN DIMENSIONS</b>		<b>THIS DRAWING CONTAINS INFORMATION THAT IS PROPRIETARY TO MOLEX. INCORPORATED AND SHOULD NOT BE USED WITHOUT WRITTEN PERMISSION</b>				

MATERIAL NUMBER	# OF COLUMNS	# OF DIFF PAIR	DIM "A" MAX	DIM "B"	PTH $\phi$
170340-1006	6	24	11.40	9.50	0.46 $\pm 0.05$
170340-1008	8	32	15.20	13.30	
170340-1010	10	40	19.00	17.10	
170340-1012	12	48	22.80	20.90	
170340-1014	14	56	26.60	24.70	
170340-1016	16	64	30.40	28.50	
170340-1036	6	24	11.40	9.50	0.39 $\pm 0.05$
170340-1038	8	32	15.20	13.30	
170340-1020	10	40	19.00	17.10	
170340-1022	12	48	22.80	20.90	
170340-1024	14	56	26.60	24.70	
170340-1026	16	64	30.40	28.50	

170340-\*0\*\*

MODULE & TAIL PLATING TYPE  
1 = OPEN LEAD-FREE

# OF COLUMNS  
06 = 6 COL 0.46 PTH  
08 = 8 COL 0.46 PTH  
10 = 10 COL 0.46 PTH  
12 = 12 COL 0.46 PTH  
14 = 14 COL 0.46 PTH  
16 = 16 COL 0.46 PTH  
20 = 10 COL 0.39 PTH  
22 = 12 COL 0.39 PTH  
24 = 14 COL 0.39 PTH  
26 = 16 COL 0.39 PTH  
36 = 6 COL 0.39 PTH  
38 = 8 COL 0.39 PTH

<b>SEE SHEET 1</b> EC NO: UCP2016-3973 DRWNG:VARVARA 2015/08/19 CHKD:TELO 2016/02/22 APPR:TELO 2016/04/20 REV:	QUALITY SYMBOLS	GENERAL TOLERANCES (UNLESS SPECIFIED)	DIMENSION STYLE <b>MM ONLY</b>	SCALE <b>4:1</b>	DESIGN UNITS <b>METRIC</b>	THIRD ANGLE PROJECTION
	$\nabla = 0$	mm INCH	DRAWN BY DATE TELO 2010/05/12	TITLE <b>IMPACT 4-PAIR 85-OHM DAUGHTERCARD SIGNAL UNGUIDED SALES DRAWING</b>		
	$\nabla = 0$	4 PLACES $\pm$ --- $\pm$ ---	CHECKED BY DATE KBENES 2011/01/24	 DOCUMENT NO. <b>SD-170340-0001</b> SHEET NO. <b>2 OF 2</b>		
	$\nabla = 0$	3 PLACES $\pm$ --- $\pm$ ---	APPROVED BY DATE JB INGHAM 2012/04/16			
	2 PLACES $\pm 0.13$ $\pm$ ---	MATERIAL NO. <b>SEE CHART</b>				
	1 PLACE $\pm 0.25$ $\pm$ ---	ANGULAR $\pm 1/2^\circ$				
	0 PLACE $\pm$ $\pm$ ---	DRAFT WHERE APPLICABLE MUST REMAIN WITHIN DIMENSIONS				
		SIZE <b>C</b> THIS DRAWING CONTAINS INFORMATION THAT IS PROPRIETARY TO MOLEX INCORPORATED AND SHOULD NOT BE USED WITHOUT WRITTEN PERMISSION				