



Chipsmall Limited consists of a professional team with an average of over 10 year of expertise in the distribution of electronic components. Based in Hongkong, we have already established firm and mutual-benefit business relationships with customers from,Europe,America and south Asia,supplying obsolete and hard-to-find components to meet their specific needs.

With the principle of "Quality Parts,Customers Priority,Honest Operation,and Considerate Service",our business mainly focus on the distribution of electronic components. Line cards we deal with include Microchip,ALPS,ROHM,Xilinx,Pulse,ON,Everlight and Freescale. Main products comprise IC,Modules,Potentiometer,IC Socket,Relay,Connector.Our parts cover such applications as commercial,industrial, and automotives areas.

We are looking forward to setting up business relationship with you and hope to provide you with the best service and solution. Let us make a better world for our industry!



Contact us

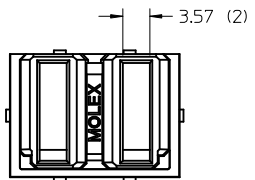
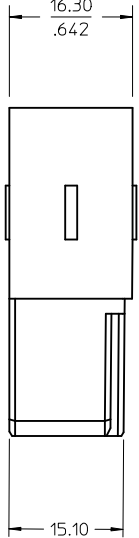
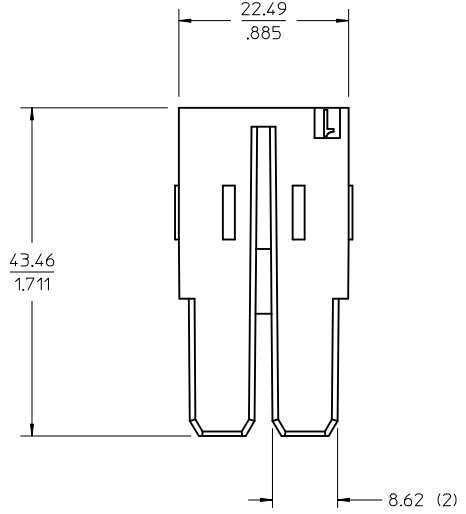
Tel: +86-755-8981 8866 Fax: +86-755-8427 6832

Email & Skype: info@chipsmall.com Web: www.chipsmall.com

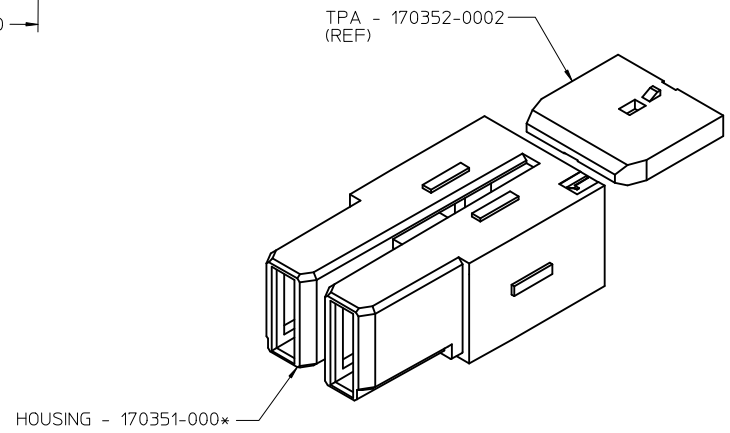
Address: A1208, Overseas Decoration Building, #122 Zhenhua RD., Futian, Shenzhen, China



ITEM NO	PART NUMBER	DESCRIPTION
1	170351-0002	FOR 8-10 AWG WIRE
2	170351-0003	FOR 6 AWG WIRE



- NOTES:
1. MATERIAL: PBT UNFILLED 89992-0074
COLOR: BLACK
 2. HOUSING FOR USE WITH TERMINAL SERIES 46819
AND CABLE ASSEMBLY SERIES 68790.
 3. REQUIRES TPA SD-170352-0002 TO SECURE TERMINALS
 4. HOUSING IS ROHS COMPLIANT
 5. TPA MUST BE USED WITH HOUSING
 6. TPA IS TO BE ORDERED SEPARATELY
 7. DO NOT INSERT THE TPA INTO CRIMP HOUSING UNTIL THE
CRIMP TERMINAL WITH WIRES HAS BEEN INSERTED



ADD NOTES/REV VIEW EC NO: UCP2012-3786 DRWN: JUILLES 2012/05/22 CHKD: MKARADIMAS 2012/05/22 APPR: APATEL 2012/06/01	QUALITY SYMBOLS ▽=0 ▽=0 ▽=0	GENERAL TOLERANCES (UNLESS SPECIFIED)		DIMENSION STYLE MM ONLY		SCALE 2:1	DESIGN UNITS METRIC	THIRD ANGLE PROJECTION		
				DRAWN BY MKARADIMAS	DATE 2011/08/10		GUARDIAN CRIMP RECEPTACLE HOUSING 2 CKT			
				CHECKED BY APATEL	DATE 2011/08/10					
				APPROVED BY APATEL		DATE 2012/01/09		MOLEX INCORPORATED		
D	REV	DRAFT WHERE APPLICABLE MUST REMAIN WITHIN DIMENSIONS		SEE CHART		MATERIAL NO. SD-170351-0002		SHEET NO. 1 OF 1		