



Chipsmall Limited consists of a professional team with an average of over 10 year of expertise in the distribution of electronic components. Based in Hongkong, we have already established firm and mutual-benefit business relationships with customers from,Europe,America and south Asia,supplying obsolete and hard-to-find components to meet their specific needs.

With the principle of “Quality Parts,Customers Priority,Honest Operation,and Considerate Service”,our business mainly focus on the distribution of electronic components. Line cards we deal with include Microchip,ALPS,ROHM,Xilinx,Pulse,ON,Everlight and Freescale. Main products comprise IC,Modules,Potentiometer,IC Socket,Relay,Connector.Our parts cover such applications as commercial,industrial, and automotives areas.

We are looking forward to setting up business relationship with you and hope to provide you with the best service and solution. Let us make a better world for our industry!



Contact us

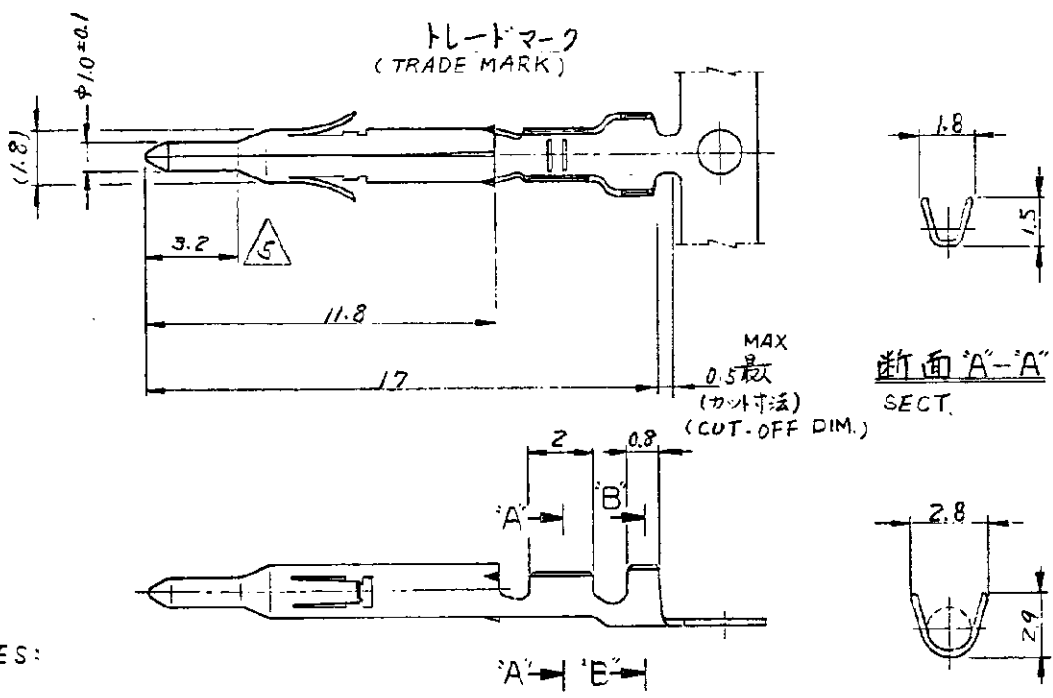
Tel: +86-755-8981 8866 Fax: +86-755-8427 6832

Email & Skype: info@chipsmall.com Web: www.chipsmall.com

Address: A1208, Overseas Decoration Building, #122 Zhenhua RD., Futian, Shenzhen, China



C-170359



NOTES:

1. THIS CONTACT IS USED ON EITHER PLUG AND CAP HOUSING.
2. APPLICABLE PRODUCT SPEC : 108-5138
3. APPLICABLE APPLICATION SPEC : 114-5050
4. REFER TO IS-105J FOR APPLICATION FOR MOUNTING TO CONNECTORS.

△ 0.00076 mm MIN. THICK GOLD-PLATED IN THE CONTACT SECTION TO 3.2 mm FROM THE TIP END, OVER NICKEL UNDERPLATE ALL OVER.

注:

1. 使用ハウジングはキャップ及びプラグ
2. 適用製品仕様書 : 108-5138
3. 適用圧着仕様書 : 114-5050
4. 取扱説明書 : JS-105J

△ 5 ピン先端から3.2の間0.76mm最小の金めっき 残部はニッケルめっき。

170361, 170382	170365, 170366	錫めっき付リン青銅 (TIN/PHOS.BRD)	-4	-4
		金めっき△黄銅 (GOLD/BRASS △)	-3	-3
170363-1	170359-1	錫めっき付黄銅 (TIN/BRASS)		
嵌合相手側型番 (MATING CONN. P/N)	仕上・材料 (FINISH / MATERIAL)	15.5穴端子型番 (L.P. P/N)	型番 (P/N)	

参考図面 (CUSTOMER COPY REFERENCE ONLY)

表参照 SEE TABLE 0.2寸
表参照 SEE TABLE
WIRE RANGE # 0.12 ~ 0.35 50 AWG 26 ~ 22
INSULATION DIA 1.2 ~ 1.75 mm

TE TE Connectivity

CLASS

TYPE

PRINT DIM: 4

E2	REVISED PER ECO-11-005294	RK	HMR	14APR 11
LTR	変更 REVISION RECORD	DR.	CHK.	DATE
DR.	2. Y. Hasegawa 9/6/09	DE	7. Tomiyama 9/1/09	
CHK	C. Tomiyama 2/1/09	APP.	1/5/09	9/1/09

(TOLERANCE) ±0.4 (EXCEPT AS NOTED)	縮尺 SCALE 4:1	LOG	SIZE	訂正 NO	P/N
		J	A	C-170359	E2
PART NAME MINI UNIVERSAL MATE-N-LOK PIN CONTACT					
ニニユニバサル Mate-N-Lok ピン コネクタ					