



Chipsmall Limited consists of a professional team with an average of over 10 year of expertise in the distribution of electronic components. Based in Hongkong, we have already established firm and mutual-benefit business relationships with customers from,Europe,America and south Asia,supplying obsolete and hard-to-find components to meet their specific needs.

With the principle of “Quality Parts,Customers Priority,Honest Operation,and Considerate Service”,our business mainly focus on the distribution of electronic components. Line cards we deal with include Microchip,ALPS,ROHM,Xilinx,Pulse,ON,Everlight and Freescale. Main products comprise IC,Modules,Potentiometer,IC Socket,Relay,Connector.Our parts cover such applications as commercial,industrial, and automotives areas.

We are looking forward to setting up business relationship with you and hope to provide you with the best service and solution. Let us make a better world for our industry!



## Contact us

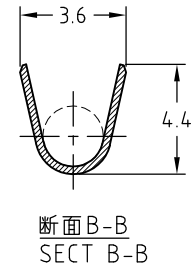
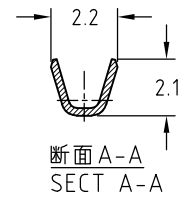
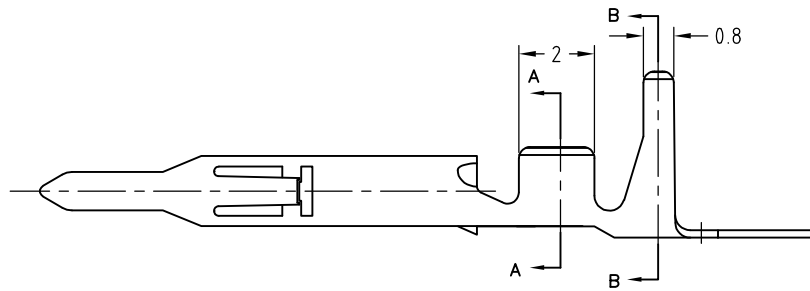
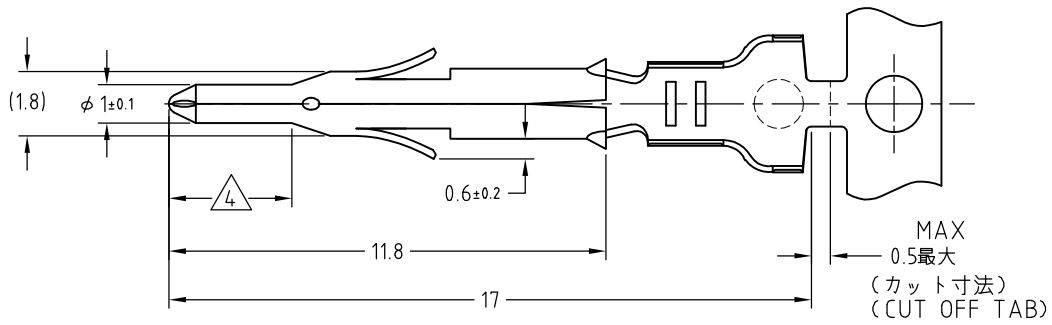
Tel: +86-755-8981 8866 Fax: +86-755-8427 6832

Email & Skype: info@chipsmall.com Web: www.chipsmall.com

Address: A1208, Overseas Decoration Building, #122 Zhenhua RD., Futian, Shenzhen, China



LOC J	DIST —	REVISIONS 変更			DATE	DWN	APVD
		P	LTR	DESCRIPTION			
			K1	REVISED PER ECO-11-005030	11MAR11	RK	HMR



注記

1. 使用ハウジングはキャップ及びプラグ
- △ 2本圧着の被覆外径は3.4mm最大
3. 取扱説明書：IS-105J
- △ 全面ニッケルメッキの上に0.76μm最小の金メッキを施す。

NOTES

1. APPLICABLE HOUSING : CAP AND PLUG.
- △ APPLICABLE INSULATION DIA METER FOR TWO-WIRE CRIMP IS 3.4mm MAX.
3. INSTRUCTION SHEET : IS-105J
- △ SELECTIVE GOLD PLATED AREA 0.76μm MIN THK OVER Ni PLATED.

170361,170362 170365,170366	170364-4	PRE TIN PHOS BRO 0.2t 錫めっき済磷青銅 0.2t	170360-4
	170364-3	BRASS 0.2t 黄銅 0.2t	170360-3
	170364-1	PRE TIN BRASS 0.2t 錫めっき済黄銅 0.2t	170360-1
かん合相手型番 MATING CON'T	ばら状端型番 LP.NO	材料 MATERIAL	型番 P/N

WIRE RANGE 絶合電線断面積	AWG#22~#18 0.30~0.59mm <sup>2</sup>	INSULATION DIA 被覆外径	△ 1.5~2.4mm
-----------------------	--	------------------------	-------------

THIS DRAWING IS UNPUBLISHED.

RELEASED FOR PUBLICATION

ALL RIGHTS RESERVED.

COPYRIGHT - By -

DIMENSIONS: 単位：耗 mm	DWN J.SATO	18JAN2008	MATERIAL 材料	SEE TABLE	FINISH 仕上		
	CHK S.MANABE	18JAN2008	TE Connectivity				
TOLERANCES UNLESS OTHERWISE SPECIFIED: 一般公差	APVD S.MANABE	18JAN2008					
0 PLC ± ±0.3	PRODUCT SPEC 製品規格	108-5138		MINI UNIVERSAL MATE-N-LOK PIN CONTACT			
1 PLC ±	APPLICATION SPEC 取付適用規格	114-5050					
2 PLC ±	WEIGHT	A4		SIZE	CAGE CODE	DRAWING NO 番号	RESTRICTED TO
3 PLC ±				A4	00779	C-170360	—
4 PLC ±							
ANGLES ±							
CUSTOMER DRAWING				SCALE 尺度	4:1	SHEET	1 OF 1
						REV	K1