



Chipsmall Limited consists of a professional team with an average of over 10 year of expertise in the distribution of electronic components. Based in Hongkong, we have already established firm and mutual-benefit business relationships with customers from,Europe,America and south Asia,supplying obsolete and hard-to-find components to meet their specific needs.

With the principle of “Quality Parts,Customers Priority,Honest Operation,and Considerate Service”,our business mainly focus on the distribution of electronic components. Line cards we deal with include Microchip,ALPS,ROHM,Xilinx,Pulse,ON,Everlight and Freescale. Main products comprise IC,Modules,Potentiometer,IC Socket,Relay,Connector.Our parts cover such applications as commercial,industrial, and automotives areas.

We are looking forward to setting up business relationship with you and hope to provide you with the best service and solution. Let us make a better world for our industry!



Contact us

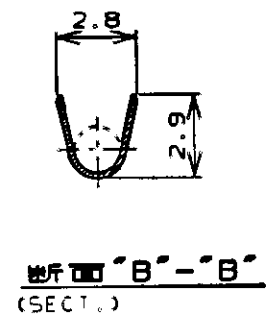
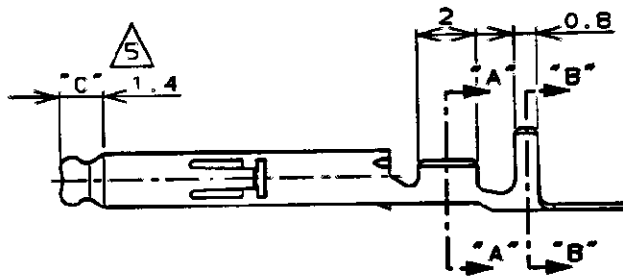
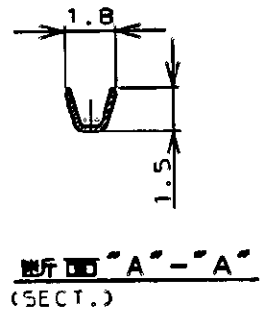
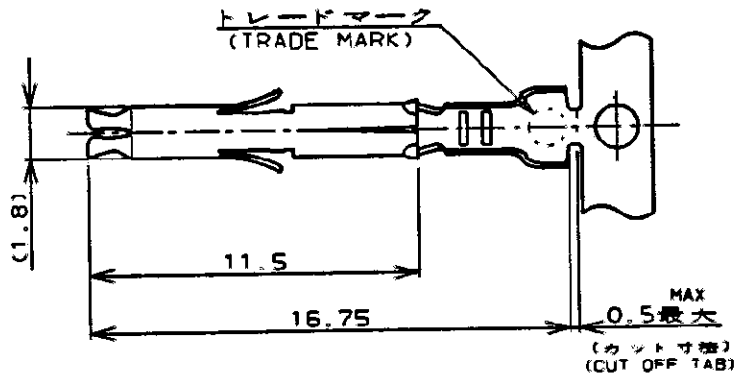
Tel: +86-755-8981 8866 Fax: +86-755-8427 6832

Email & Skype: info@chipsmall.com Web: www.chipsmall.com

Address: A1208, Overseas Decoration Building, #122 Zhenhua RD., Futian, Shenzhen, China



LOC	DIST	REVISIONS			DATE	DWN	APVD
J		P	LTR	DESCRIPTION			
			F1	REVISED PER ECO-11-005030	21MAR11	RK	HMR



尺度 8:1
(SCALE)

注記

1. 使用ハウジングはキャップ及びプラグ
2. 適用製品規格書 108-5138
3. 適用圧着仕様書 114-5050
4. 取扱い説明書 IS-105J
5. 全面ニッケルのめっき上の領域"C"に 0.76µm最小の金のめっきを施す。

NOTES

1. APPLICABLE HOUSING : CAP AND PLUG.
2. PRODUCT SPECIFICATION 108-5138
3. APPLICATION SPECIFICATION 114-5050
4. INSTRUCTION SHEET IS-105J
5. SELECTIVE GOLD PLATED AREA "C" 0.76µm MIN THK OVER Ni PLATED.

	錫めっき付・銅青銅 (PRE-TIN PHOZ BRO)	-4	-4
	金のめっき (GOLD PLATE) 5	-3	-3
170359, 170360 170363, 170364	錫めっき付・黄銅 (PRE-TIN BRASS)	170365-1	170361-1
嵌合相手型番 (MATING P/N)	仕上 (FINISH)	ばら状端子型番 (LOOSE PIECE P/N)	型番 (P/N)

WIRE RANGE
相合電線断面積
0.12-0.35mm² (AWG #26-#22)

INSULATION DIA
被覆径
1.2-1.75mm

MATERIAL 表参照
材料 (SEE TABLE) 0.2t

FINISH 表参照
仕上 (SEE TABLE)

DIMENSIONS:
単位 純
mm

DWN 10. APR. '06
CHK M. Shinde 10 APR 06
APVD

PRODUCT SPEC
製品規格

APPLICATION SPEC
取付適用仕様

注記参照 (SEE NOTES) 2

注記参照 (SEE NOTES) 3

WEIGHT 11

TE TE Connectivity

ミニユニバーサルメイトンロックソケットコンタクト
MINI UNIVERSAL MATE-N-LOK SOCKET CONTACT

SIZE A4 CAGE CODE 00779 DRAWING NO. C-170361

CUSTOMER DRAWING SCALE 4:1 SHEET 1 OF 1 F1

参考 図面