



Chipsmall Limited consists of a professional team with an average of over 10 year of expertise in the distribution of electronic components. Based in Hongkong, we have already established firm and mutual-benefit business relationships with customers from,Europe,America and south Asia,supplying obsolete and hard-to-find components to meet their specific needs.

With the principle of “Quality Parts,Customers Priority,Honest Operation,and Considerate Service”,our business mainly focus on the distribution of electronic components. Line cards we deal with include Microchip,ALPS,ROHM,Xilinx,Pulse,ON,Everlight and Freescale. Main products comprise IC,Modules,Potentiometer,IC Socket,Relay,Connector.Our parts cover such applications as commercial,industrial, and automotives areas.

We are looking forward to setting up business relationship with you and hope to provide you with the best service and solution. Let us make a better world for our industry!



Contact us

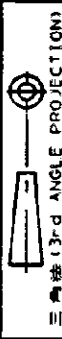
Tel: +86-755-8981 8866 Fax: +86-755-8427 6832

Email & Skype: info@chipsmall.com Web: www.chipsmall.com

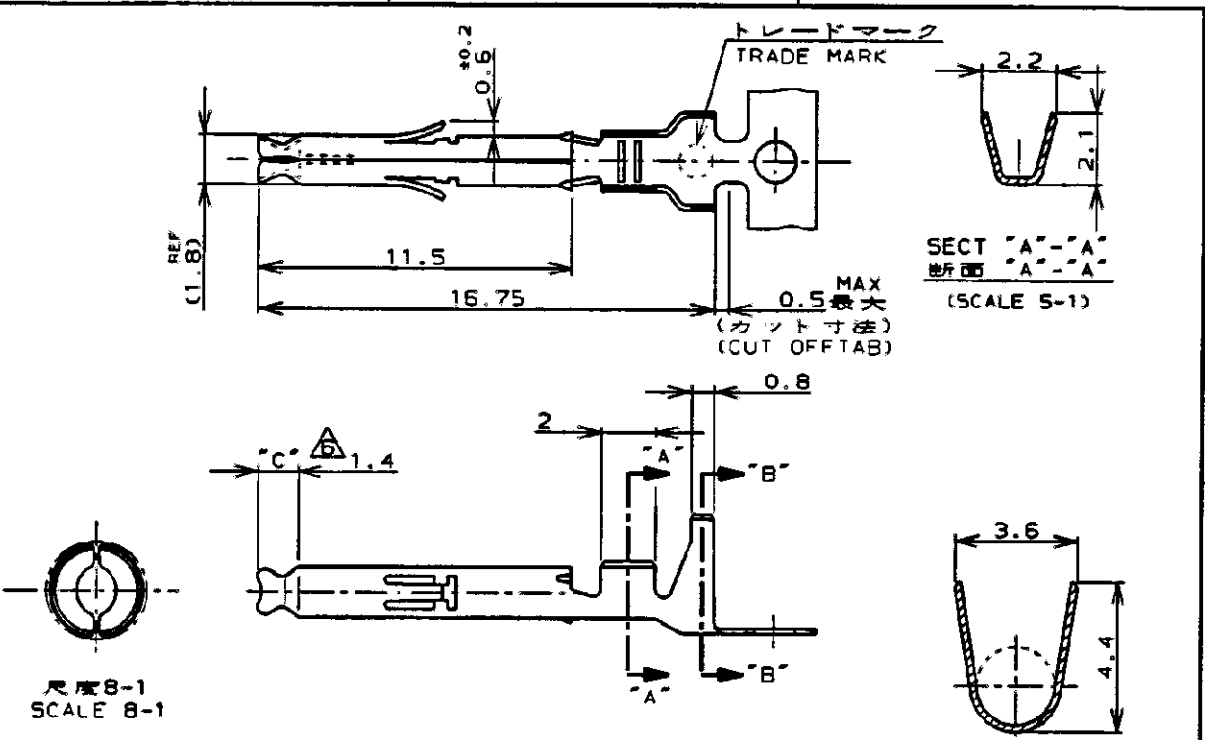
Address: A1208, Overseas Decoration Building, #122 Zhenhua RD., Futian, Shenzhen, China



NUMBER C-170362
METRIC



単位・寸法 DIMENSIONS IN MM. DO NOT SCALE PRINT



NOTES:

1. APPLICABLE HOUSING : CAP AND PLUG.
- △ APPLICABLE INSULATION DIA METER FOR TWO-WIRE CRIMP IS 3.4mm MAX.
3. PRODUCT SPECIFICATION 108-513B
4. APPLICATION SPECIFICATION 114-5050
5. INSTRUCTION SHEET IS-105J
- △ SELECTIVE GOLD PLATED AREA "C" 0.76µm MIN THK OVER NI PLATED.

注記:

1. 使用ハウジングはキャップ及びプラグ
- △ 2本圧着の被覆外径は3.4mm最大
3. 適用製品規格書 108-513B
4. 適用圧着仕様書 114-5050
5. 取扱説明書 IS-105J
- △ 全面ニッケルめっき上の領域"C"に 0.76µm最少の金めっきを施す。

	錫めっき清め銅 PRE-TIN PHOZ BRO	-4	-4
	真銅 BRASS	-3	-3
170359, 170360 170363, 170364	錫めっき清め銅 PRE-TIN BRASS	170366-1	170362-1
適合相手 MATING P/N	材質・表面処理 MATERIAL FINISH	ばら状端子型番 LOOSE PIECE P/N	型番 (P/N)



TE Connectivity

一般公差 (GENERAL TOLERANCE): 10mm等: ±0.2 10mm以下, 30mm等: ±0.25 30mm以下, 100mm等: ±0.3 角: ±3°	適合電線許容積 (WIRE RANGE) 0.3- 0.89 mm ² (AWG#22-#18)	被覆外径 (INSULATION DIA.) △ 1.5-2.4 mmφ
材料 (MATERIAL) 表参照 SEE TABLE	仕上 (FINISH) 表参照 SEE TABLE	

PRINT DIST	J1 ECO-11-005030	RK IHMR	24MAR 11	尺度 (SCALE) 4-1	LOC A J	番号 (No.) C-170362	REV. J1	SHEET 1 OF 1
LTR	変更 (REVISION RECORD)	DR	CHK	DATE				
DR.	28 FEB 94 N. YAMASAKI	DE.	7 SEP 79 H. TANIGAWA	名称 (NAME) ミニユニバーサルメイテック ソケットコンタクト				
CHK.	28 FEB 94 M. SHINDO	APP.	4 MAR 94 Y. KASHIWA					

AMP-J010-1C
REV. 3/93

(CUSTOMER DRAWING) 参 考 図 面