



Chipsmall Limited consists of a professional team with an average of over 10 year of expertise in the distribution of electronic components. Based in Hongkong, we have already established firm and mutual-benefit business relationships with customers from,Europe,America and south Asia,supplying obsolete and hard-to-find components to meet their specific needs.

With the principle of “Quality Parts,Customers Priority,Honest Operation,and Considerate Service”,our business mainly focus on the distribution of electronic components. Line cards we deal with include Microchip,ALPS,ROHM,Xilinx,Pulse,ON,Everlight and Freescale. Main products comprise IC,Modules,Potentiometer,IC Socket,Relay,Connector.Our parts cover such applications as commercial,industrial, and automotives areas.

We are looking forward to setting up business relationship with you and hope to provide you with the best service and solution. Let us make a better world for our industry!



## Contact us

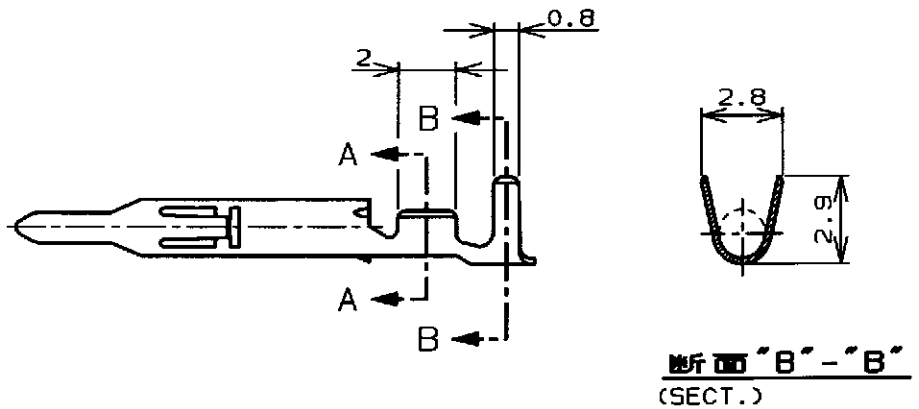
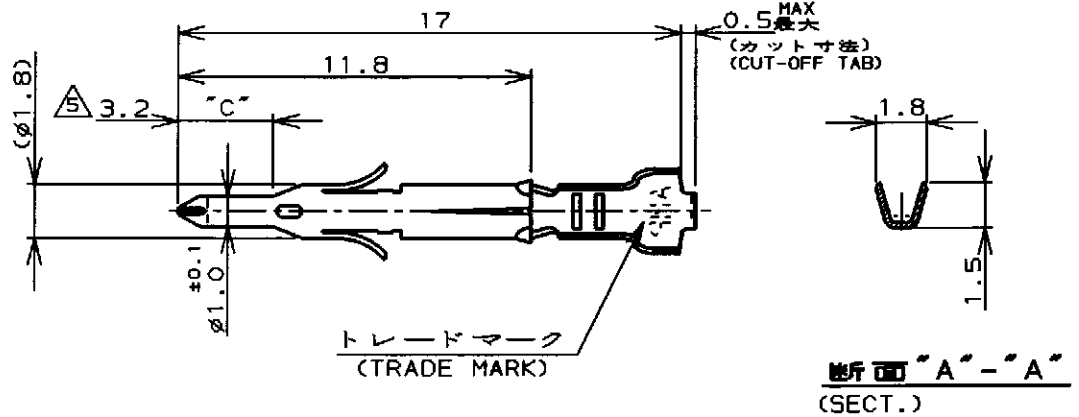
Tel: +86-755-8981 8866 Fax: +86-755-8427 6832

Email & Skype: info@chipsmall.com Web: www.chipsmall.com

Address: A1208, Overseas Decoration Building, #122 Zhenhua RD., Futian, Shenzhen, China



LOC	DIST	REVISIONS				DATE	DWN	APVD
J		P	LTR	DESCRIPTION	ECO			
			B1	REVISED PER ECO-11-005294		6APR11	RK	HMR



- 注記;
1. 使用ハウジングはキャップ及びプラグ
  - △ 製品規格 108-5138
  - △ 取付適用規格 114-5050
  4. 取扱い説明書 IS-105J
  - △ 全面ニッケルめっき上の領域"C"に 0.76μm最小の金めっきを施す。

- NOTES;
1. APPLICABLE HOUSING : CAP AND PLUG.
  - △ PRODUCT SPECIFICATION 108-5138
  - △ APPLICATION SPECIFICATION 114-5050
  4. INSTRUCTION SHEET IS-105J
  - △ SELECTIVE GOLD PLATED AREA "C" 0.76μm MIN THK OVER Ni PLATED.

	↑	錫めつき付・燐青銅 (PRE-TIN · PHOS BRO)	↑	-4	↑	-4
		金めつき・黄銅 (GOLD PLATE · BRASS) △5		-3		-3
170361, 170362 170365, 170366		錫めつき付・黄銅 (PRE-TIN · BRASS)	170359-1		170363-1	
嵌合相手型番 (MATING P/N)		材料・仕上 (MATERIAL · FINISH)	連続状端子型番 (STRIP P/N)		型番 (P/N)	

WIRE RANGE 包含電線断面積 0.12~0.35mm <sup>2</sup> (AWG #26~#22)	INSULATION DTA 被覆外径 1.2~1.75mm
MATERIAL 表参照 材料 (SEE TABLE) 0.2t	FINISH 表参照 仕上 (SEE TABLE)

DIMENSIONS:  
単位 概 mm

TOLERANCES UNLESS OTHERWISE SPECIFIED:  
一般公差  
±0.4, ±1°0'

WEIGHT

DWN 7. Yamamoto 11, JUN 98

CHR M. Slu 15 JUN 98

APVD M. Slu 15 JUN 98

PRODUCT SPEC  
製品規格  
注記参照 (SEE NOTES) △2

APPLICATION SPEC  
取付適用規格  
注記参照 (SEE NOTES) △3

CUSTOMER DRAWING

**TE** TE Connectivity

NAME  
名称  
ミニユニバーサルメイトンロックピンコンタクトばら状端子  
MINI UNIVERSAL MATE-N-LOK PIN CONTACT LOOSE PIECE

SIZE A4 CAGE CODE 00779 DRAWING NO. 番号 C=170363

SCALE 尺度

SHEET 1 OF 1 REV B1

THIS DRAWING IS UNPUBLISHED. ALL RIGHTS RESERVED. BY COPYRIGHT