



Chipsmall Limited consists of a professional team with an average of over 10 year of expertise in the distribution of electronic components. Based in Hongkong, we have already established firm and mutual-benefit business relationships with customers from,Europe,America and south Asia,supplying obsolete and hard-to-find components to meet their specific needs.

With the principle of “Quality Parts,Customers Priority,Honest Operation,and Considerate Service”,our business mainly focus on the distribution of electronic components. Line cards we deal with include Microchip,ALPS,ROHM,Xilinx,Pulse,ON,Everlight and Freescale. Main products comprise IC,Modules,Potentiometer,IC Socket,Relay,Connector.Our parts cover such applications as commercial,industrial, and automotives areas.

We are looking forward to setting up business relationship with you and hope to provide you with the best service and solution. Let us make a better world for our industry!



Contact us

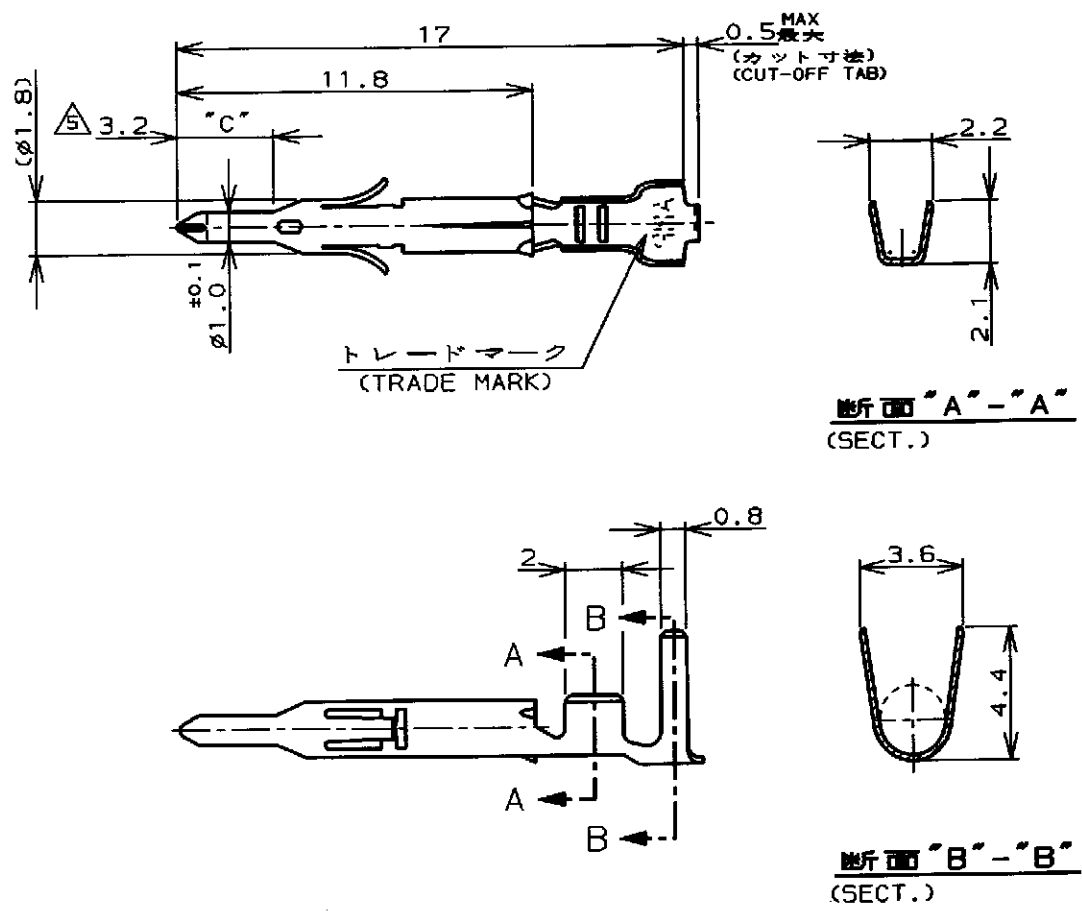
Tel: +86-755-8981 8866 Fax: +86-755-8427 6832

Email & Skype: info@chipsmall.com Web: www.chipsmall.com

Address: A1208, Overseas Decoration Building, #122 Zhenhua RD., Futian, Shenzhen, China



LOC		DIST		REVISIONS				DATE	DWN	APVD
J		P	LTR	DESCRIPTION	ECO					
			C1		REVISED PER ECO-11-005294		05APR11	RK	HMR	



- 注記; NOTES;
- 1. 使用ハウジングはキャップ及びプラグ 1. APPLICABLE HOUSING : CAP AND PLUG.
 - 2. 製品規格 108-5138 2. PRODUCT SPECIFICATION 108-5138
 - 3. 取付適用規格 114-5050 3. APPLICATION SPECIFICATION 114-5050
 - 4. 取扱い説明書 IS-105J 4. INSTRUCTION SHEET IS-105J
 - 5. 全面ニッケルめっき上の領域"C"に 5. SELECTIVE GOLD PLATED AREA "C"
0.76μm最小の金めっきを施す。 0.76μm MIN THK OVER NI PLATED.
 - 6. 2本圧着の被覆外径は、3.4mm最大。 6. DOUBLE CRIMPING INSURATION DIA
3.4mm MAX.

	錫めつき付・燐青銅 (PRE-TIN・PHOS BRO)	-4	-4
	金めつき・黄銅 (GOLD PLATE・BRASS) 5	-3	-3
170361, 170362 170365, 170366	錫めつき付・黄銅 (PRE-TIN・BRASS)	170360-1	170364-1
嵌合相手型番 (MATING P/N)	材料・仕上 (MATERIAL・FINISH)	連鎖状端子型番 (STRIP P/N)	型番 (P/N)

WIRE RANGE 包含電線断面積 0.30~0.89mm ² (AWG #22~#18)	INSULATION DIA 被覆外径 1.5~2.4mm
---	-------------------------------------

DIMENSIONS: 単位 概 mm	DWN Z. Yamamoto 11 JUN 98
TOLERANCES UNLESS OTHERWISE SPECIFIED: 一般公差	CHK M. Glue 15 JUN 98
±0.4, ±1°0'	APVD M. Glue 15 JUN 98
PRODUCT SPEC 製品規格	注記参照 (SEE NOTES) 2
APPLICATION SPEC 取付適用規格	注記参照 (SEE NOTES) 3
WEIGHT	---
CUSTOMER DRAWING	

MATERIAL 表参照 材料 (SEE TABLE) 0.2t	FINISH 表参照 仕上 (SEE TABLE)
STE TE Connectivity	
NAME 名称 ミニユニバーサルメイトンロックピンコンタクトばら状端子 MINI UNIVERSAL MATE-N-LOK PIN CONTACT LOOSE PIECE	
SIZE A4	CAGE CODE 00779
DRAWING NO 番号 C-170364	
SCALE 尺度	SHEET 1 OF 1 REV C1

THIS DRAWING IS UNPUBLISHED. BY COPYRIGHT