



Chipsmall Limited consists of a professional team with an average of over 10 year of expertise in the distribution of electronic components. Based in Hongkong, we have already established firm and mutual-benefit business relationships with customers from,Europe,America and south Asia,supplying obsolete and hard-to-find components to meet their specific needs.

With the principle of “Quality Parts,Customers Priority,Honest Operation,and Considerate Service”,our business mainly focus on the distribution of electronic components. Line cards we deal with include Microchip,ALPS,ROHM,Xilinx,Pulse,ON,Everlight and Freescale. Main products comprise IC,Modules,Potentiometer,IC Socket,Relay,Connector.Our parts cover such applications as commercial,industrial, and automotives areas.

We are looking forward to setting up business relationship with you and hope to provide you with the best service and solution. Let us make a better world for our industry!



Contact us

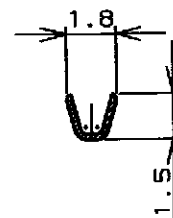
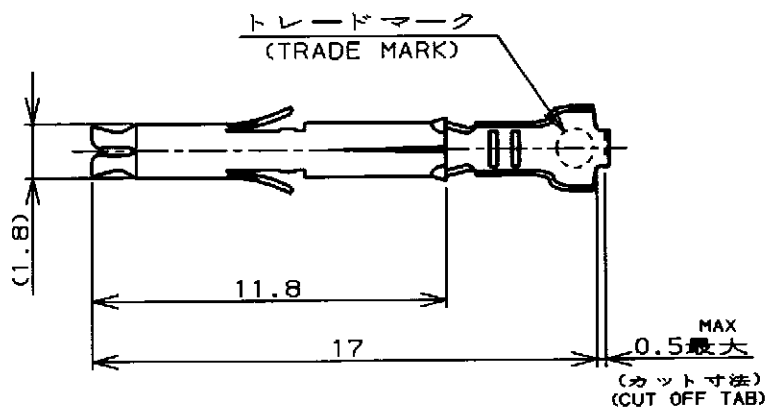
Tel: +86-755-8981 8866 Fax: +86-755-8427 6832

Email & Skype: info@chipsmall.com Web: www.chipsmall.com

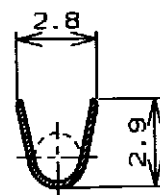
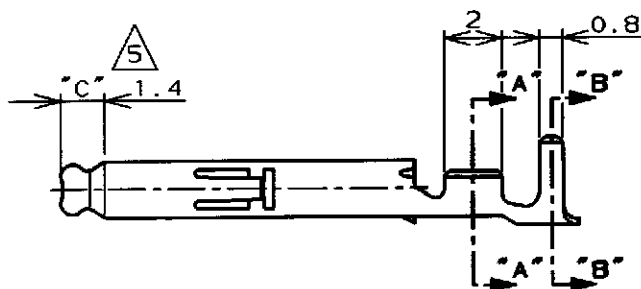
Address: A1208, Overseas Decoration Building, #122 Zhenhua RD., Futian, Shenzhen, China



LOC	DIST	REVISIONS				DATE	DWN	APVD
J		P	LTR	DESCRIPTION	ECO	5APR11	RK	HMR
			B1	REVISD PER ECO-11-005294				



断面 "A"- "A"
(SECT.)



断面 "B"- "B"
(SECT.)

注記;

1. 使用ハウジングはキャップ及びプラグ
- △ 製品規格 108-5138
- △ 取付適用規格 114-5050
4. 取扱い説明書 IS-105J
- △ 全面ニッケルめっき上の領域 "C" に 0.76µm 最小の金めっきを施す。

NOTES;

1. APPLICABLE HOUSING : CAP AND PLUG.
- △ PRODUCT SPECIFICATION 108-5138
- △ APPLICATION SPECIFICATION 114-5050
4. INSTRUCTION SHEET IS-105J
- △ SELECTIVE GOLD PLATED AREA "C" 0.76µm MIN THK OVER Ni PLATED.

	錫めつき付・燐青銅 (PRE-TIN PHOZ BRO)	-4	-4
	金めつき・黄銅 △5 (GOLD PLATE · BRASS)	-3	-3
170359, 170360 170363, 170364	錫めつき付・黄銅 (PRE-TIN BRASS)	170361-1	170365-1
嵌合相手型番 (MATING P/N)	材料・仕上 (MATERIAL · FINISH)	連鎖状端子型番 (STRIP P/N)	型番 (P/N)

WIRE RANGE 包合電線断面積 0.12~0.35mm ² (AWG #26~#22)	INSULATION DIA 被覆外径 1.2~1.75mm
---	--------------------------------------

DIMENSIONS 単位 概 mm	DWN <i>7. ymanoto</i> 11 JUN 98
TOLERANCES UNLESS OTHERWISE SPECIFIED: 一般公差 $\pm 0.4, \pm 1^{\circ}0'$	CHK <i>M. Slid</i> 15 JUN 98
PRODUCT SPEC 製品規格 注記参照 △2 (SEE NOTES)	APVD <i>M. Slid</i> 15 JUN 98
APPLICATION SPEC 取付適用規格 注記参照 △3 (SEE NOTES)	
WEIGHT	
CUSTOMER DRAWING	

MATERIAL 表参照 材料 (SEE TABLE) 0.2t	FINISH 表参照 仕上 (SEE TABLE)
TE TE Connectivity	
NAME ミニユニバーサルメイトンロックソケットコンタクトばら状端子 MINI UNIVERSAL MATE-N-LOK SOCKET CONTACT LOOSE PIECE	
SIZE A4	CAGE CODE 00779
DRAWING NO 番号 C-170365	
SCALE 尺度	SHEET 1 OF 1 REV B1

THIS DRAWING IS UNPUBLISHED.

BY

COPYRIGHT