



Chipsmall Limited consists of a professional team with an average of over 10 year of expertise in the distribution of electronic components. Based in Hongkong, we have already established firm and mutual-benefit business relationships with customers from,Europe,America and south Asia,supplying obsolete and hard-to-find components to meet their specific needs.

With the principle of “Quality Parts,Customers Priority,Honest Operation,and Considerate Service”,our business mainly focus on the distribution of electronic components. Line cards we deal with include Microchip,ALPS,ROHM,Xilinx,Pulse,ON,Everlight and Freescale. Main products comprise IC,Modules,Potentiometer,IC Socket,Relay,Connector.Our parts cover such applications as commercial,industrial, and automotives areas.

We are looking forward to setting up business relationship with you and hope to provide you with the best service and solution. Let us make a better world for our industry!



Contact us

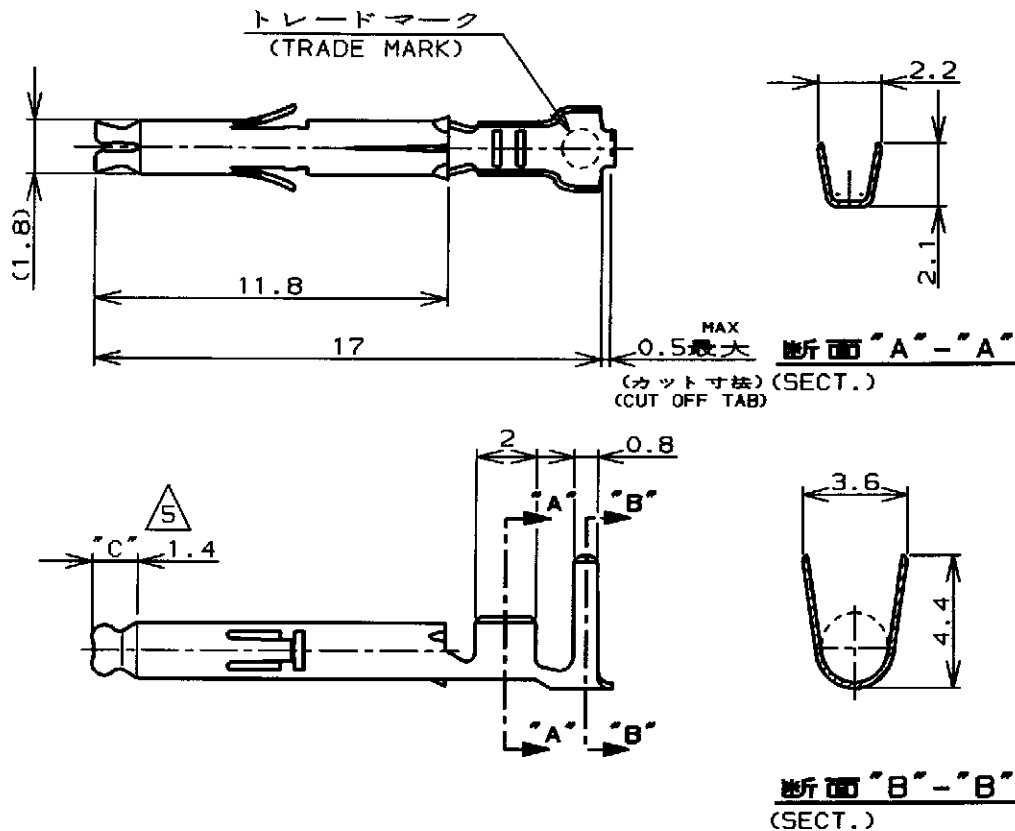
Tel: +86-755-8981 8866 Fax: +86-755-8427 6832

Email & Skype: info@chipsmall.com Web: www.chipsmall.com

Address: A1208, Overseas Decoration Building, #122 Zhenhua RD., Futian, Shenzhen, China



| | | | | | | | |
|-----|------|-----------|-----|---------------------------|---------|-----|------|
| LOC | Q15T | REVISIONS | | | DATE | DWN | APVD |
| J | | P | LTR | DESCRIPTION | | | |
| | | | D1 | REVISED PER ECO-11-005294 | 05APR11 | RK | HMR |



注記;

1. 使用ハウジングはキャップ及びプラグ
- ② 製品規格 108-5138
- ③ 取付適用規格 114-5050
4. 取扱説明書 IS-105J
- ⑤ 全面ニッケルめっき上の領域 "C" に 0.76µm 最小の金めっきを施す。
- ⑥ 2本圧着の被覆外径は、3.4mm 最大。

NOTES;

1. APPLICABLE HOUSING : CAP AND PLUG.
- ② PRODUCT SPECIFICATION 108-5138
- ③ APPLICATION SPECIFICATION 114-5050
4. INSTRUCTION SHEET IS-105J
- ⑤ SELECTIVE GOLD PLATED AREA "C" 0.76µm MIN THK OVER Ni PLATED.
- ⑥ DOUBLE CRIMPING INSURATION DIA 3.4mm MAX.

| | | | |
|----------------------------------|-----------------------------------|------------------------|-------------|
| | 錫めっき付・燐青銅 (PRE-TIN · PHOZ BRO) | -4 | -4 |
| | 金めっき・黄銅 (GOLD PLATE · BRASS) ⑤ | -3 | -3 |
| 170359, 170360 170363, 170364 | 錫めっき付・黄銅 (PRE-TIN · BRASS) | 170362-1 | 170366-1 |
| 嵌合相手型番 (MATING P/N) | 材料・仕上 (MATERIAL · FINISH) | 連鎖状端子型番 (STRIP P/N) | 型番 (P/N) |

| | |
|---|---------------------------------------|
| WIRE RANGE 包含電線断面積 0.30-0.89mm ² (AWG #22~#18) | INSULATION DIA 被覆外径 ⑥ 1.5~2.4mm |
|---|---------------------------------------|

THIS DRAWING IS UNPUBLISHED. ALL RIGHTS RESERVED. COPYRIGHT

| | |
|---|--|
| DIMENSIONS, 単位 概 mm | DWN <i>T. Yamamoto</i> 11 JUN 98 |
| TOLERANCES UNLESS OTHERWISE SPECIFIED: 一般公差 | CHK <i>M. Sluice</i> 15 JUN 98 |
| ±0.4, ±1°0' | APVD <i>M. Sluice</i> 15 JUN 98 |
| | PRODUCT SPEC 製品規格 注記参照 (SEE NOTES) ② |
| | APPLICATION SPEC 取付適用規格 注記参照 (SEE NOTES) ③ |
| | WEIGHT — |

| | |
|---|------------------------------|
| MATERIAL 表参照 材料 (SEE TABLE) 0.2t | FINISH 表参照 仕上 (SEE TABLE) |
| TE TE Connectivity | |
| NAME 名称 ミニユニバーサルメイトンロックソケットコンタクトばら状端子 MINI UNIVERSAL MATE-N-LOK SOCKET CONTACT LOOSE PIECE | |
| SIZE A4 | CAGE CODE 00779 |
| DRAWING NO 番号 C-170366 | |
| CUSTOMER DRAWING | SCALE 尺度 — |
| | SHEET 1 OF 1 REV D1 |