



Chipsmall Limited consists of a professional team with an average of over 10 year of expertise in the distribution of electronic components. Based in Hongkong, we have already established firm and mutual-benefit business relationships with customers from,Europe,America and south Asia,supplying obsolete and hard-to-find components to meet their specific needs.

With the principle of “Quality Parts,Customers Priority,Honest Operation,and Considerate Service”,our business mainly focus on the distribution of electronic components. Line cards we deal with include Microchip,ALPS,ROHM,Xilinx,Pulse,ON,Everlight and Freescale. Main products comprise IC,Modules,Potentiometer,IC Socket,Relay,Connector.Our parts cover such applications as commercial,industrial, and automotives areas.

We are looking forward to setting up business relationship with you and hope to provide you with the best service and solution. Let us make a better world for our industry!



Contact us

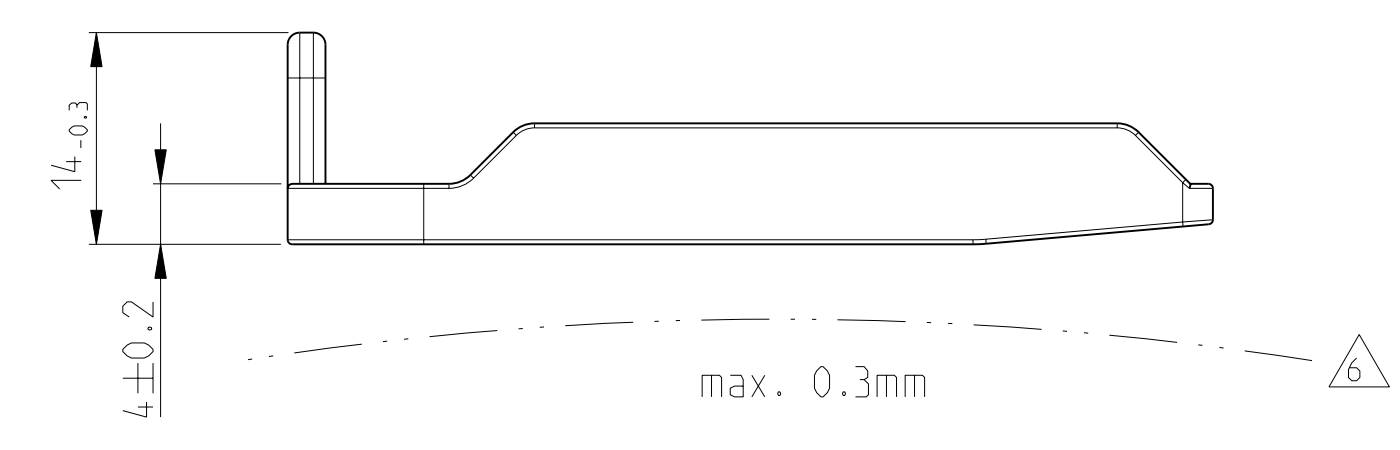
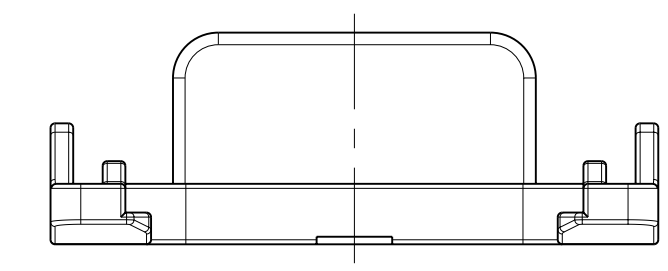
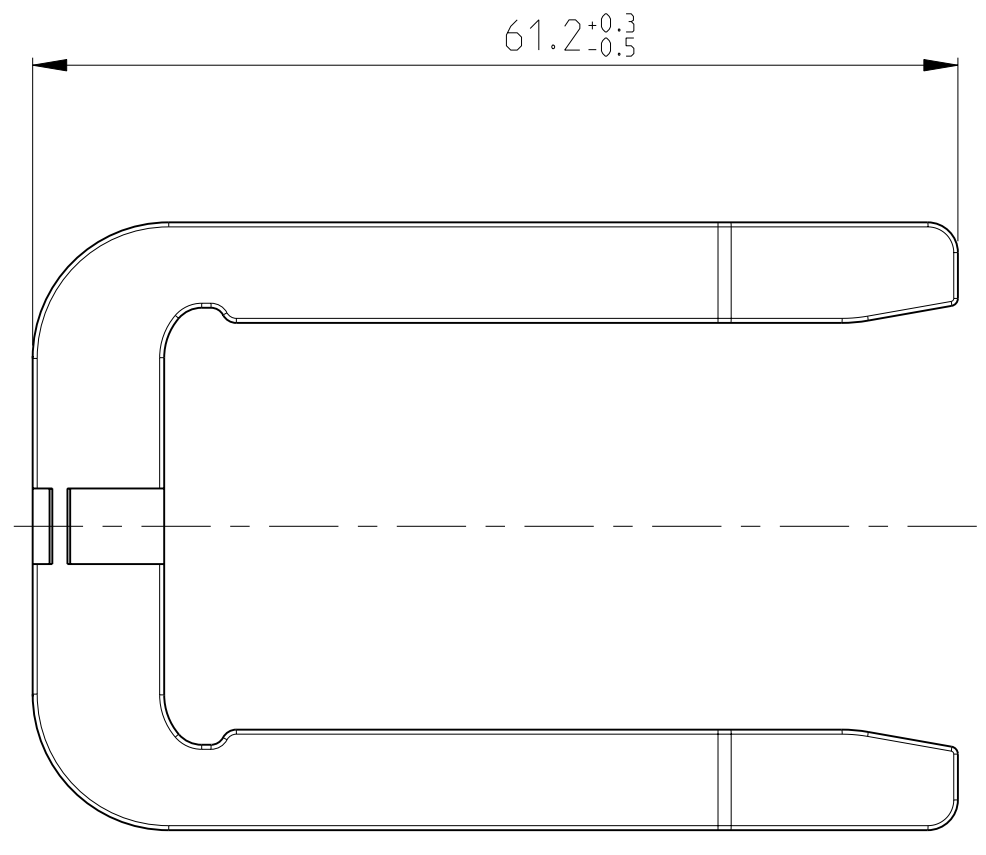
Tel: +86-755-8981 8866 Fax: +86-755-8427 6832

Email & Skype: info@chipsmall.com Web: www.chipsmall.com

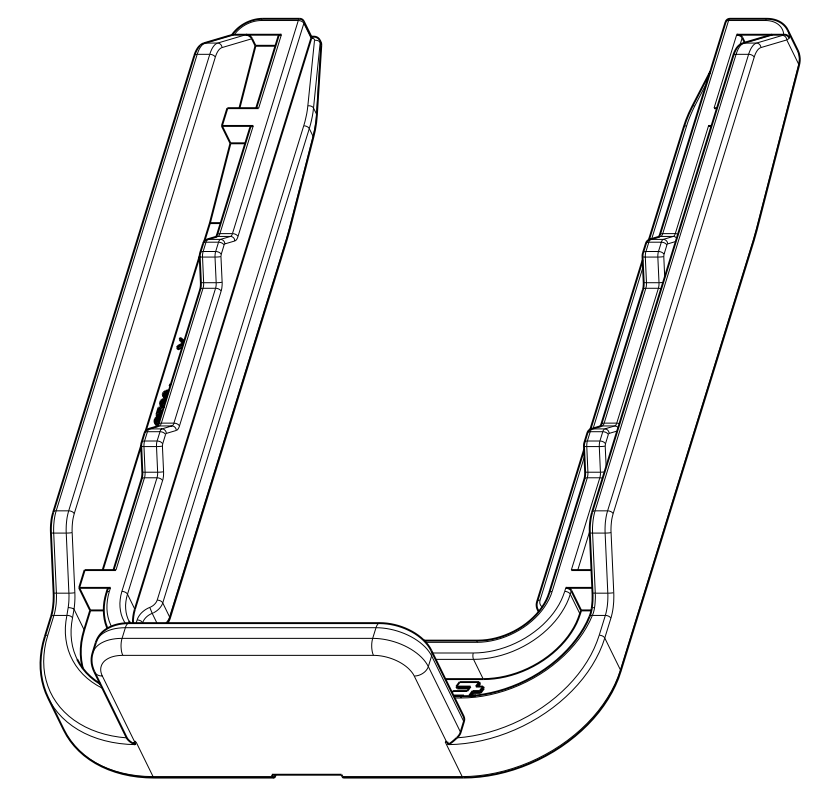
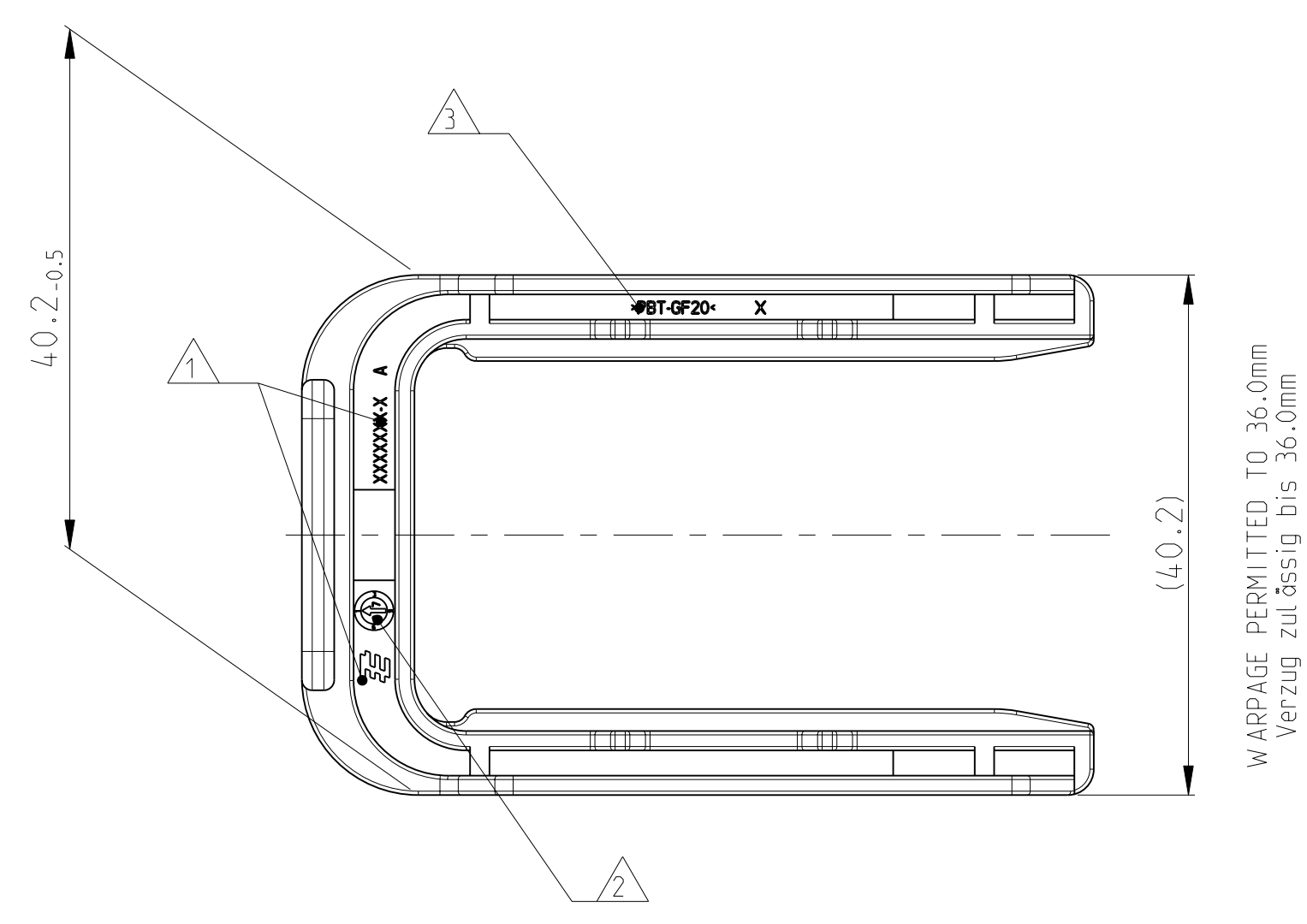
Address: A1208, Overseas Decoration Building, #122 Zhenhua RD., Futian, Shenzhen, China



LOC	DIST	REV	LTB	DESCRIPTION	DATE	DWN	APVD
A1	-	A		NEW DRAWING	18JUL2007	-	-
		A1		TE ORDER NO. IN TABLE CORRECTED	20DEC2007	CG	JG



- NOTES
Bemerkungen
- TE LOGO AND TE NUMBER
TE Logo und TE Nummer
 - PRODUCTION DATE
Produktionsdatum
 - MATERIAL MARKING ACC. TO VDA 260
Werkstoffkennzeichnung nach
 - BULK PACKAGING IN CORRUGATED BOX
Schüttgut im Versandkarton
 - FITS TO TE COUNTERPART TAB HOUSING, 15POS.
1703799-1
Passend zu TE Gegenstecker Flachsteckergehäuse, 15pol.
1703799-1
 - WARPAGE TO PERMITTED
Verzug zulässig bis
 - MAJFUNCTION CAUSED BY LACQUER IS NOT COVERED
BY TE WARRANTY
Funktionsbeeinträchtigung durch Lackieren liegt nicht
im Einfluss und Gewährleistungsumfang von TE



TE ORDER-NO. TE Bestell-Nr.	REV.	QTY Anzahl	MAT.	COLOUR Farbe	DESCRIPTION Beschreibung	ITEM	MATERIAL siehe Tabelle	FINISH/BEPLÄTZE/FARBE siehe Tabelle	WEIGHT GEWICHT	CUSTOMER DRAW ING
0-1703804-1	A	1	PBT-GF20	FLAME RED Feuerrot	FIXING SLIDE Befestigungsschieber	1			6.2 g	