



Chipsmall Limited consists of a professional team with an average of over 10 year of expertise in the distribution of electronic components. Based in Hongkong, we have already established firm and mutual-benefit business relationships with customers from,Europe,America and south Asia,supplying obsolete and hard-to-find components to meet their specific needs.

With the principle of "Quality Parts,Customers Priority,Honest Operation,and Considerate Service",our business mainly focus on the distribution of electronic components. Line cards we deal with include Microchip,ALPS,ROHM,Xilinx,Pulse,ON,Everlight and Freescale. Main products comprise IC,Modules,Potentiometer,IC Socket,Relay,Connector.Our parts cover such applications as commercial,industrial, and automotives areas.

We are looking forward to setting up business relationship with you and hope to provide you with the best service and solution. Let us make a better world for our industry!



## Contact us

Tel: +86-755-8981 8866 Fax: +86-755-8427 6832

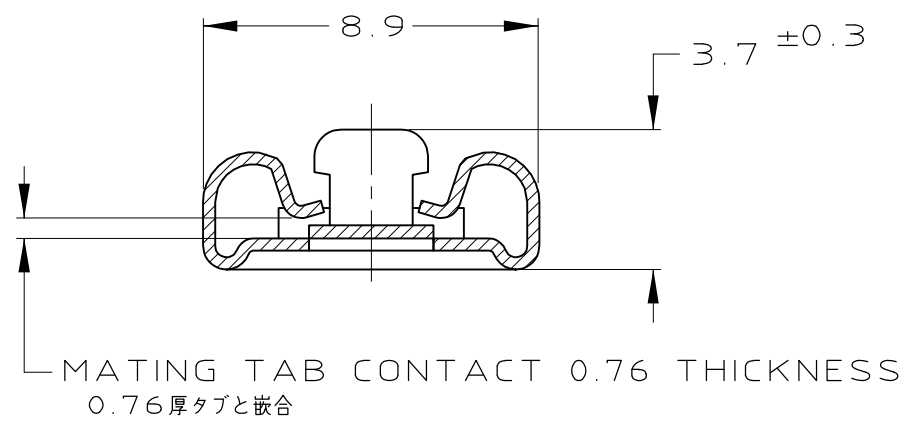
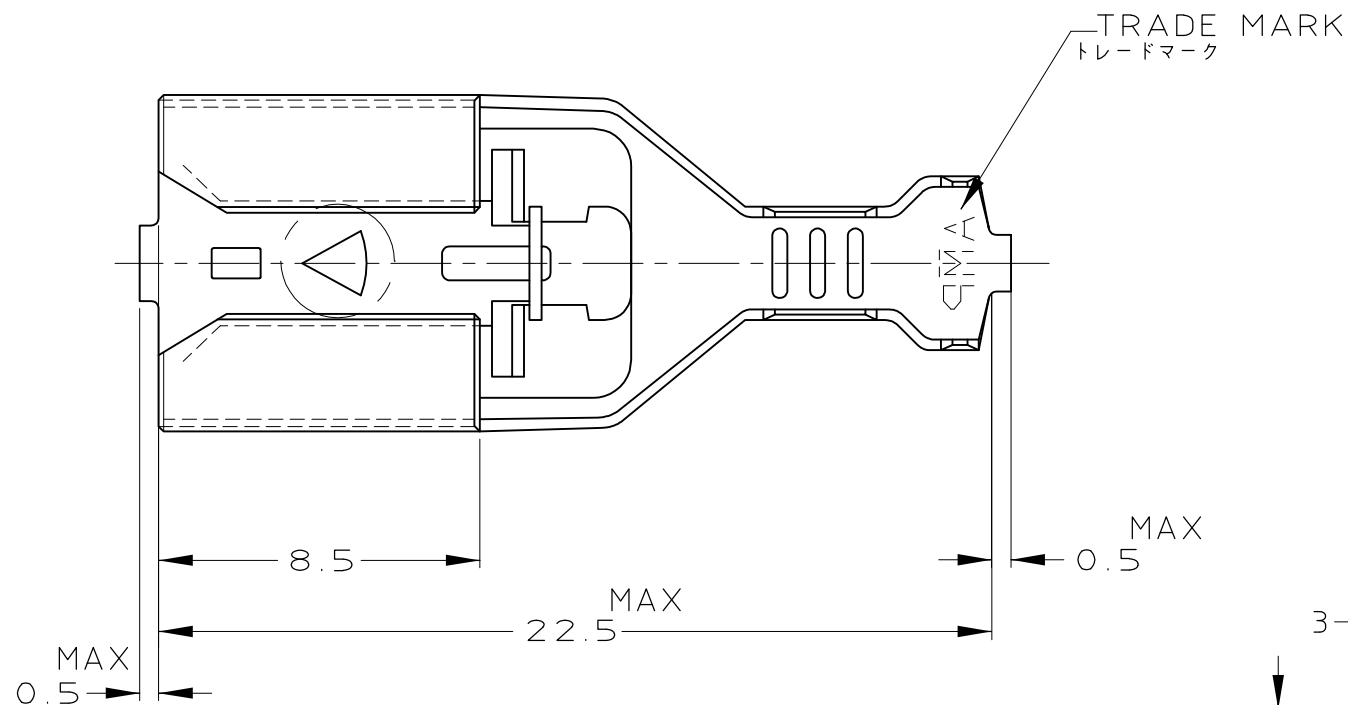
Email & Skype: info@chipsmall.com Web: www.chipsmall.com

Address: A1208, Overseas Decoration Building, #122 Zhenhua RD., Futian, Shenzhen, China

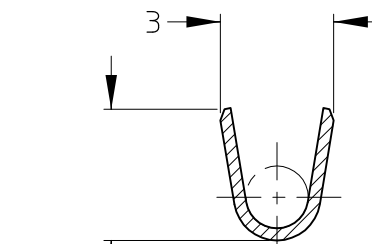


THIS DRAWING IS UNPUBLISHED. RELEASED FOR PUBLICATION .19  
 © COPYRIGHT 19 BY AMP INCORPORATED. ALL RIGHTS RESERVED.

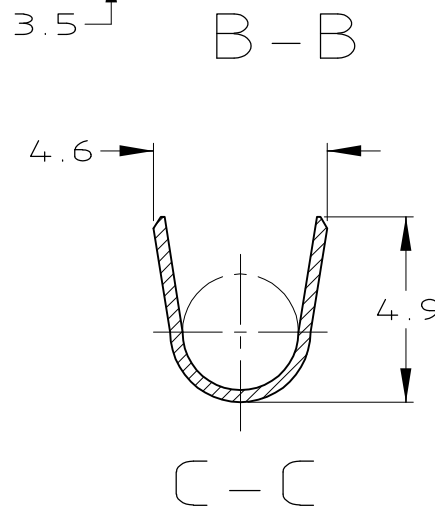
LOC	DIST	REVISIONS						
		P	LTR	DESCRIPTION	ECN	DATE	DWN	APVD
J			E1	OBSOLETE -5	FJ00-0413-00	04AUG00	TS	KB
			E2	REVISED PER	ECO-10-000443	18JAN10	KK	HMR



A-A



B-B

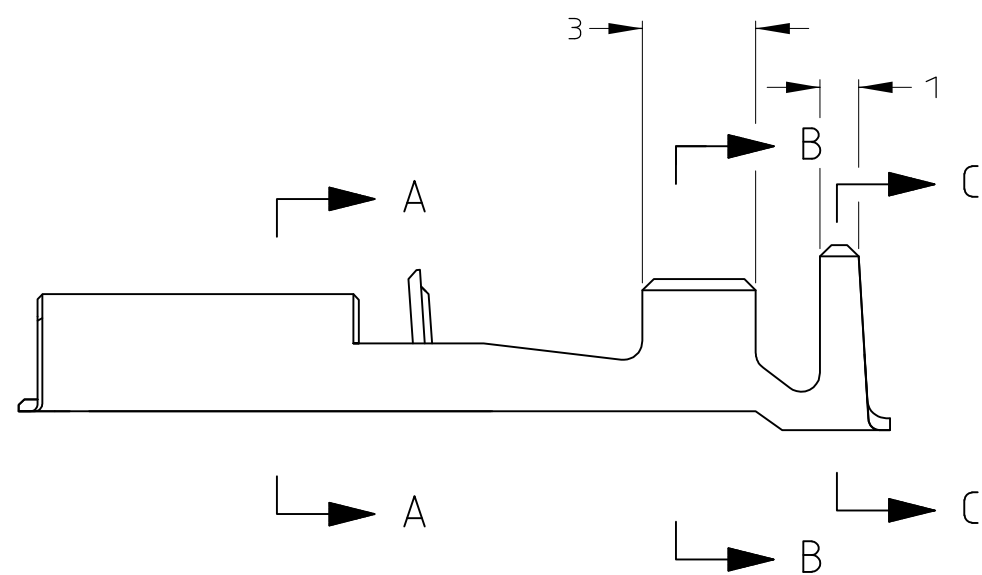


C-C

- 1. 適用ハウジング型番 ; 172236
- 2. 適用圧着規格 No. ; 114-5047

- 1. THE MATING PLUG HOUSING PARTS NUMBER 172236
- 2. APPLICATION SPEC No. 114-5047

△ OBSOLETE PARTS: OBSOLETE CIS STREAMLINING PER D.RENAUD/D.SINISI



OBSOLETE		PRE-TIN PHOSPHOR BRONZ 錫めっき付りん青銅合金 0.32+	170381-5
OBSOLETE	REVERSE REEL 逆巻リール	PRE-TIN BRASS 0.32+ 錫めっき付黄銅 0.32+	<del>1-170381-1</del>
		PRE-TIN BRASS 0.32+ 錫めっき付黄銅 0.32+	170381-1
	REMARKS 備考	MATERIAL 材料	PARTS NUMBER 型番

WIRE RANGE  
総合電線断面積 AV 0.5~2mm<sup>2</sup>  
 INSULATION DIA  
被覆外径 2.2~3.4mm

THIS DRAWING IS A CONTROLLED DOCUMENT FOR AMP INCORPORATED. IT IS SUBJECT TO CHANGE AND THE CONTROLLING ENGINEERING ORGANIZATION SHOULD BE CONTACTED FOR THE LATEST REVISION.		DWN 30MAR98 A.YAMAGUCHI	<b>AMP</b> Tyco Electronics AMP K.K. Kawasaki, Japan	
DIMENSIONS: 単位 耗 : mm		CHK 31MAR98 K.BETSUI		
TOLERANCES UNLESS OTHERWISE SPECIFIED 一般公差		APVD 31MAR98 K.BETSUI	NAME 名称	
±0.4		PRODUCT SPEC 製品規格 108-5131	312 シリーズ ポジティブロック リセプタクル 312 SERIES POSITIVE LOCK RECEPTACLE	
MATERIAL 材料 SEE TABLE 表参照		FINISH 仕上	APPLICATION SPEC 取付適用規格 114-5047	RESTRICTED TO -
		WEIGHT 0.8g	SIZE A3	CAGE CODE 00779
		CUSTOMER DRAWING	DRAWING NO 番号 C= 170381	
			SCALE 尺度 5:1	SHEET 1 OF 1 REV E2