



Chipsmall Limited consists of a professional team with an average of over 10 year of expertise in the distribution of electronic components. Based in Hongkong, we have already established firm and mutual-benefit business relationships with customers from,Europe,America and south Asia,supplying obsolete and hard-to-find components to meet their specific needs.

With the principle of “Quality Parts,Customers Priority,Honest Operation,and Considerate Service”,our business mainly focus on the distribution of electronic components. Line cards we deal with include Microchip,ALPS,ROHM,Xilinx,Pulse,ON,Everlight and Freescale. Main products comprise IC,Modules,Potentiometer,IC Socket,Relay,Connector.Our parts cover such applications as commercial,industrial, and automotives areas.

We are looking forward to setting up business relationship with you and hope to provide you with the best service and solution. Let us make a better world for our industry!



## Contact us

Tel: +86-755-8981 8866 Fax: +86-755-8427 6832

Email & Skype: info@chipsmall.com Web: www.chipsmall.com

Address: A1208, Overseas Decoration Building, #122 Zhenhua RD., Futian, Shenzhen, China



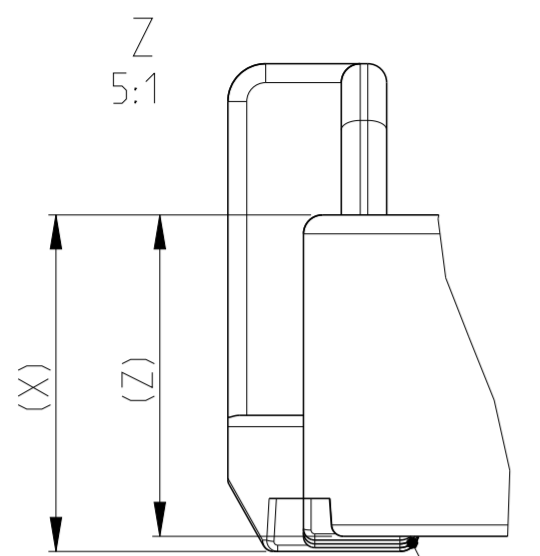
THIS DRAWING IS UNPUBLISHED  
 VERTRÄULICHE UNVERÖFFENTLICHTE ZEICHNUNG  
 © COPYRIGHT 2009

RELEASED FOR PUBLICATION  
 FREI FUER VERÖFFENTLICHUNG  
 ALL RIGHTS RESERVED.  
 ALLE RECHTE VORBEHALTEN

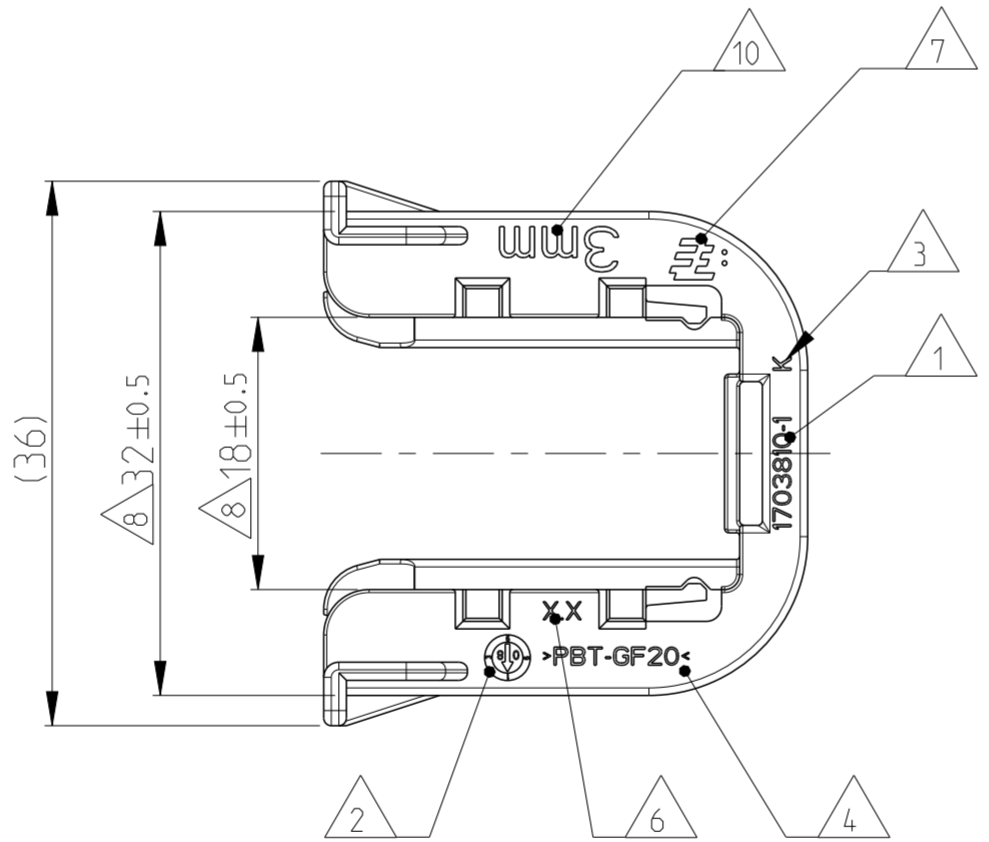
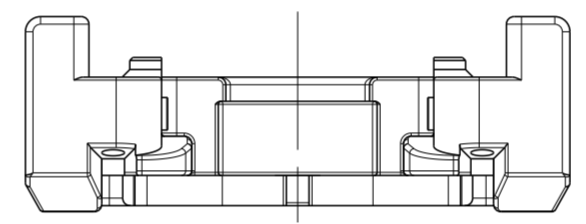
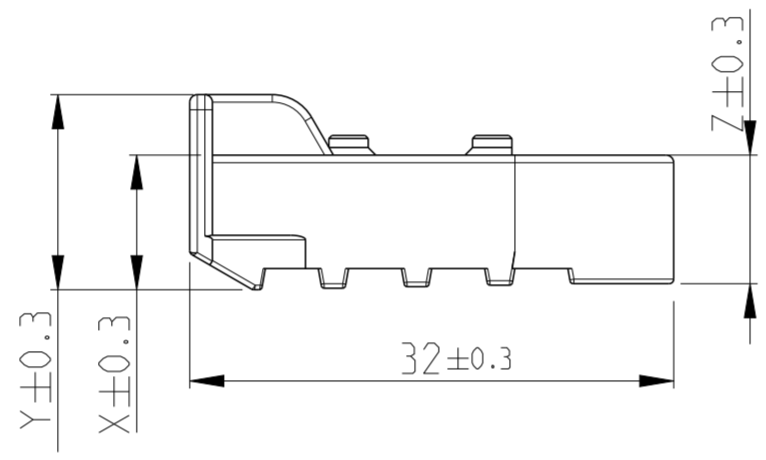
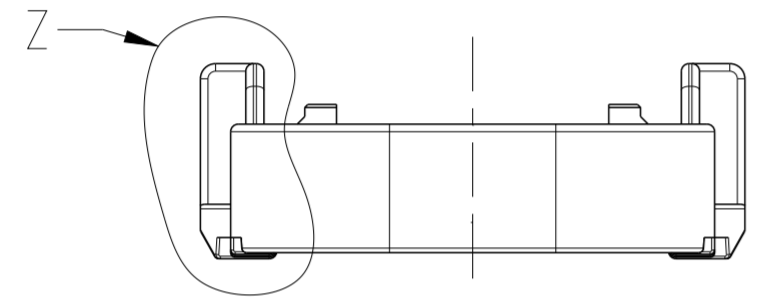
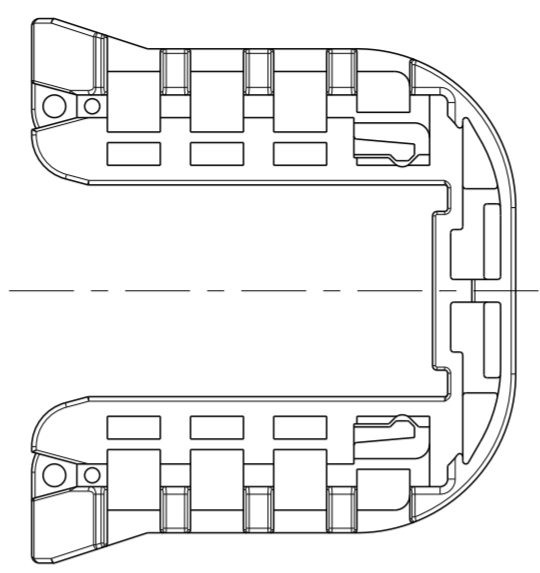
MATED WITH:  
 PASSEND ZU:  
 SEE NOTE 9

0-1703810-1 AS SHOWN  
 0-1703810-1 wie gezeigt

LOC	DIST	REVISIONS ÄNDERUNGEN			
P	LTR	DESCRIPTION BESCHREIBUNG	DATE	DWN	APVD
AI	-	PROJEKT NR.: EGATN07182			
	H	DETAILS SEE PCN E-11-009921	24MAY2011	DB	JG
	J	DETAILS SEE PCN E-14-006509, E-14-008262.	02MAY2014	KP	JG
	J1	GENERAL TOLERANCES CHANGED	16MAR2015	Ho.	Gilch
	K	DETAILS SEE PCN E-15-008283	01JUN2015	Ho.	Gilch

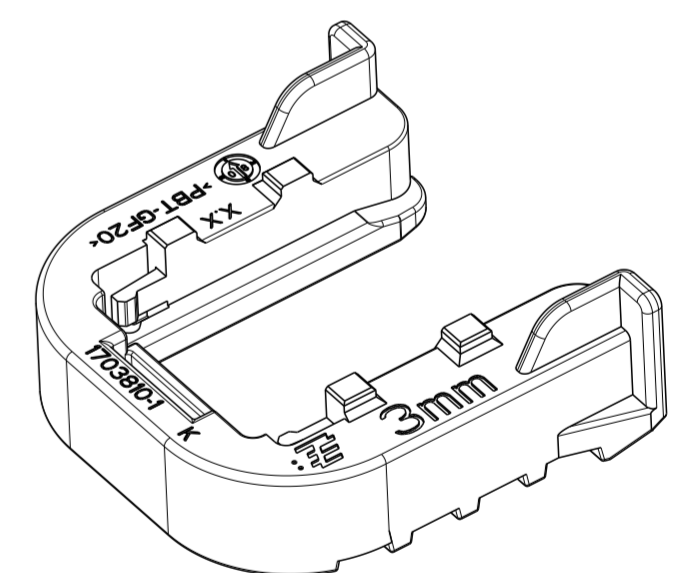


GEOMETRY GRADUALLY INCREASING  
 FROM DIMENSION "Z" TO "X".  
 Geometrie stufenweise ansteigend  
 von Dimension "Z" nach "X".



NOTES  
 Bemerkungen

- 1 TE ORDER-NO.  
TE Bestell-Nr.
- 2 PRODUCTION DATE  
Produktionsdatum
- 3 LETTER-INSERT FOR THE REVISION STATUS OF THE MOULD  
Schriftsatz fuer Aenderungszustand des Werkzeuges
- 4 MATERIAL MARKING ACCORDING TO VDA 260  
Werkstoffkennzeichnung nach VDA 260
- 5 BULK PACKAGING IN CORRUGATED BOX  
Schuetzgut im Versandkarton
- 6 MOULD CAVITY MARKING  
Nestmarkierung
- 7 TE LOGO  
TE Logo
- 8 WARPAGE PERMITTED UP TO -1.5mm FROM NOMINAL SIZE  
Verzug zulaessig bis -1.5mm vom Nennmass
- 9 SUITABLE FOR TAB HOUSING WITH FLANGE GROUP B  
SEE PRODUCT GROUP DRAWING 1563709  
Passend zu Flachsteckergehaeusen mit Flansch der Gruppe B  
siehe Produktgruppenzeichnung 1563709
- 10 MARKING FOR SUITABLE SHEET METAL THICKNESS (NOMINAL SIZE)  
Kennzeichnung fuer passende Blechstaeke (Nennmass)



ITEM	DESCRIPTION	WEIGHT (g)	COLOUR	MATERIAL	DIM Z	DIM Y	DIM X	SHEET METAL THICKNESS	REV.	TE ORDER-NO.
6	Slide, FOR 3.5mm SHEET METAL Schieber, fuer Blech 3.5mm Dicke	4.3	GREY grau	PBT-GF20/V-0	8.0	12.4	8.4	3.5±0.1mm	K	0-1703810-6
5	Slide, FOR 1.5mm SHEET METAL Schieber, fuer Blech 1.5mm Dicke	-	-	PBT-GF20/V-0	-	-	-	1.5±0.1mm	-	-
4	Slide, FOR 1.0mm SHEET METAL Schieber, fuer Blech 1.0mm Dicke	-	-	PBT-GF20/V-0	-	-	-	1.0±0.1mm	-	-
3	Slide, FOR 4.0mm SHEET METAL Schieber, fuer Blech 4.0mm Dicke	-	-	PBT-GF20/V-0	-	-	-	4.0±0.1mm	-	-
2	Slide, FOR 2.5mm SHEET METAL Schieber, fuer Blech 2.5mm Dicke	4.7	RED red	PBT-GF20/V-0	9.0	13.4	9.4	2.5±0.1mm	K	0-1703810-2
1	Slide, FOR 3.0mm SHEET METAL Schieber, fuer Blech 3.0mm Dicke	4.5	YELLOW gelb	PBT-GF20/V-0	8.5	12.9	8.9	3.0±0.1mm	K	0-1703810-1

THIS DRAWING IS A CONTROLLED DOCUMENT.  
 DIESES ZEICHNUNGSDOKUMENT WIRD DURCH AMP INCORPORATED KONTROLLIERT.  
 ÄNDERUNGEN, DIE DEM TECHNISCHEN FORTSCHRITT GEMEIN, SIND VORBEHALTEN.  
 DEN JEWEILS LETZTGÜLTIGEN ÄNDERUNGSSTAND ERFAHREN SIE AUF ANFRAGE.

DIMENSIONS:  
 MASSE IN HEIßEN:  
 (MM)

TOLERANCES UNLESS OTHERWISE SPECIFIED:  
 ALLGEMEINTOLERANZEN ACC. TO DIN 16901-14.0

1 PLC ±  
 2 PLC ± ISO 8015  
 3 PLC ±  
 4 PLC ±  
 ANGLES/WINKEL ±2°  
 FINISH/OBERFLÄCHE/FARBE SEE TABLE

DWN 09NOV2007  
 A. Kindane  
 CHK 09NOV2007  
 J. Granzow  
 APVD 12NOV2007  
 C. Eberwein

NAME  
 SLIDE, TAB HOUSING  
 Schieber, Flachsteckergehaeuse  
 HDSCS - GROUP B

PRODUCT SPEC  
 108-94020

APPLICATION SPEC  
 114-18756

SIZE A2  
 CAGE CODE 00779  
 DRAWING NO. 1703810  
 RESTRICTED TO NUR FUER -

CUSTOMER DRAWING /KUNDENZEICHNUNG  
 SCALE MASSSTAB 2:1  
 SHEET BLATT 1 OF VON 1  
 REV K