



Chipsmall Limited consists of a professional team with an average of over 10 year of expertise in the distribution of electronic components. Based in Hongkong, we have already established firm and mutual-benefit business relationships with customers from,Europe,America and south Asia,supplying obsolete and hard-to-find components to meet their specific needs.

With the principle of “Quality Parts,Customers Priority,Honest Operation,and Considerate Service”,our business mainly focus on the distribution of electronic components. Line cards we deal with include Microchip,ALPS,ROHM,Xilinx,Pulse,ON,Everlight and Freescale. Main products comprise IC,Modules,Potentiometer,IC Socket,Relay,Connector.Our parts cover such applications as commercial,industrial, and automotives areas.

We are looking forward to setting up business relationship with you and hope to provide you with the best service and solution. Let us make a better world for our industry!



Contact us

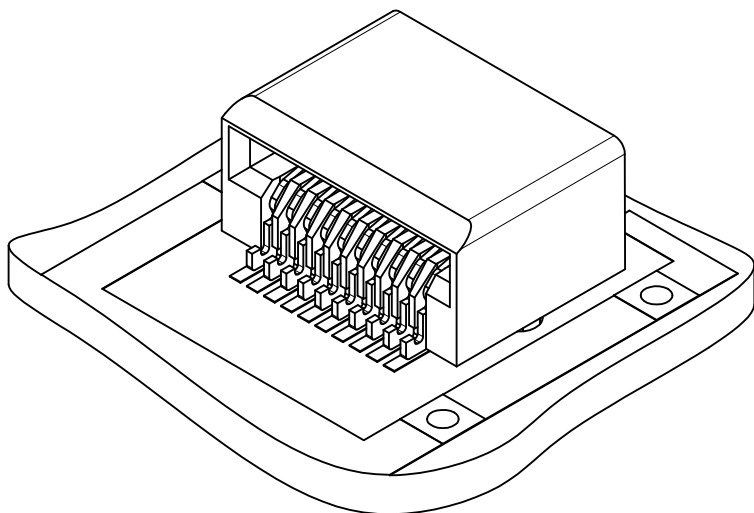
Tel: +86-755-8981 8866 Fax: +86-755-8427 6832

Email & Skype: info@chipsmall.com Web: www.chipsmall.com

Address: A1208, Overseas Decoration Building, #122 Zhenhua RD., Futian, Shenzhen, China



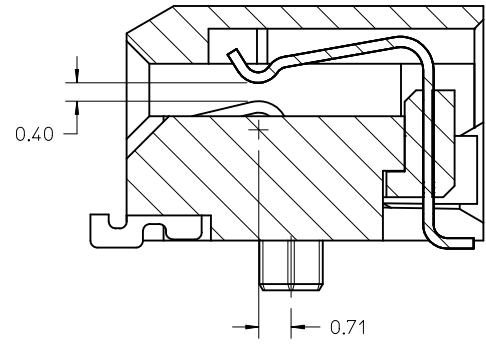
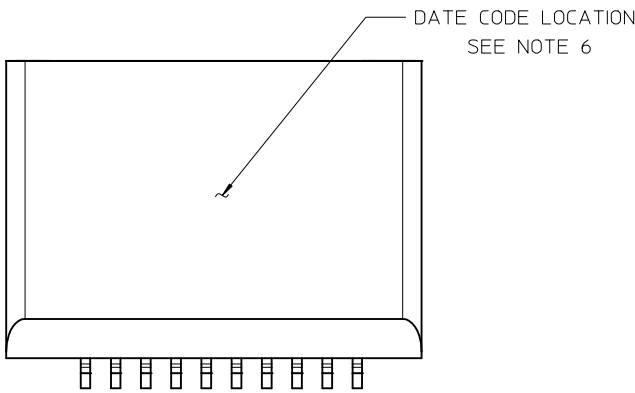
CKT SIZE	PART NUMBER	DESCRIPTION
20	170382-0001	PLATED PER NOTE 2
	170382-0002	PLATED PER NOTE 3
	170382-0003	PLATED PER NOTE 4



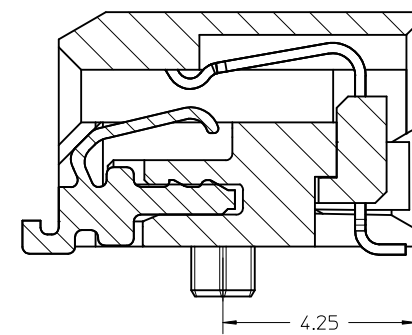
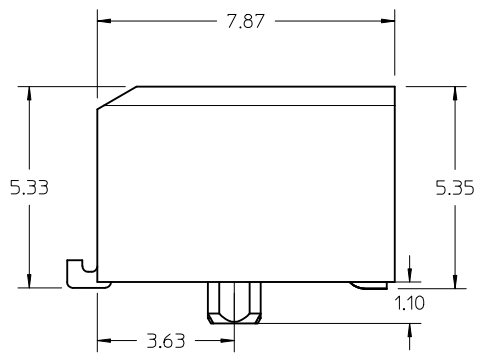
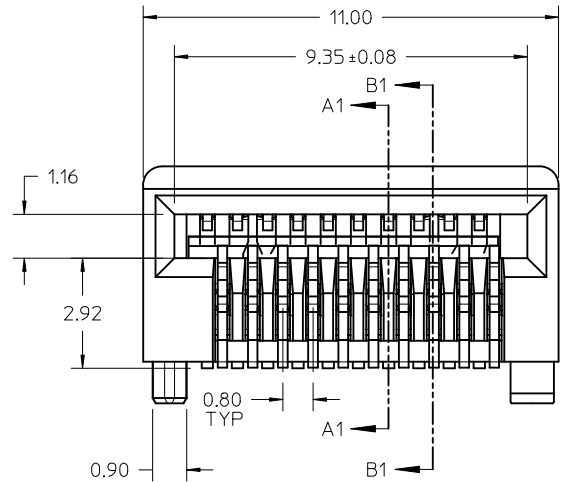
NOTES

- MATERIAL:
HOUSING - HIGH TEMPERATURE THERMOPLASTIC GLASS FILLED, UL 94V-0, BLACK
TERMINALS - COPPER ALLOY
- PLATING:
CONTACT AREA - 0.38 μm MIN GOLD OVER 2.54 μm MIN NICKEL
SOLDER FOOT AREA - 2.54 - 5.09 μm TIN OVER 2.54 μm MIN NICKEL.
- PLATING:
CONTACT AREA - 0.76 μm MIN GOLD OVER 2.54 μm NICKEL
SOLDER AREA - 2.54 - 5.09 μm TIN OVER 2.54 μm MIN NICKEL
- PLATING:
CONTACT AREA - 0.76 μm MIN GOLD OVER 2.54 μm NICKEL;
SOLDER AREA: GOLD FLASH OVER 2.54 μm MIN NICKEL.
- TERMINAL SOLDER FEET TO BE COPLANAR WITHIN 0.10
- DATE CODE: 4 DIGIT (3 DIGIT DATE, 1 DIGIT YEAR)

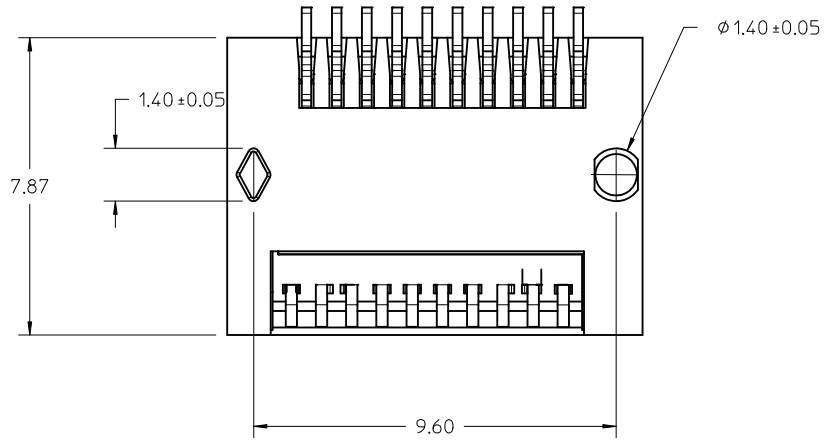
RELEASED EC NO: UCP2012-2043 DRWN: JANTELEZIO 2011/12/28 CHKD: APPR: MBANAKIS 2012/01/13	DESCRIPTION REV:	QUALITY SYMBOLS	GENERAL TOLERANCES (UNLESS SPECIFIED)	DIMENSION STYLE MM ONLY	SCALE 8:1	DESIGN UNITS METRIC	THIRD ANGLE PROJECTION	
		▽=0	mm INCH	DRAWN BY DATE	TITLE	ZSFP+ ASSEMBLY 20CKT SMT		
		▽=0	4 PLACES ± --- ± ---	JGONZALEZ01 2010/05/05	CHECKED BY DATE			
		▽=0	3 PLACES ± --- ± ---	2 PLACES ± 0.13 ± ---	JJANTELEZIO 2010/06/23	APPROVED BY DATE	MOLEX INCORPORATED DOCUMENT NO. SD-170382-001	
▽=0	1 PLACE ± 0.25 ± ---	ANGULAR ± 1/2°	MBANAKIS 2010/07/15	MATERIAL NO.	SHEET NO. 1 OF 3			
DRAFT WHERE APPLICABLE MUST REMAIN WITHIN DIMENSIONS			SIZE C	SEE CHART THIS DRAWING CONTAINS INFORMATION THAT IS PROPRIETARY TO MOLEX INCORPORATED AND SHOULD NOT BE USED WITHOUT WRITTEN PERMISSION				



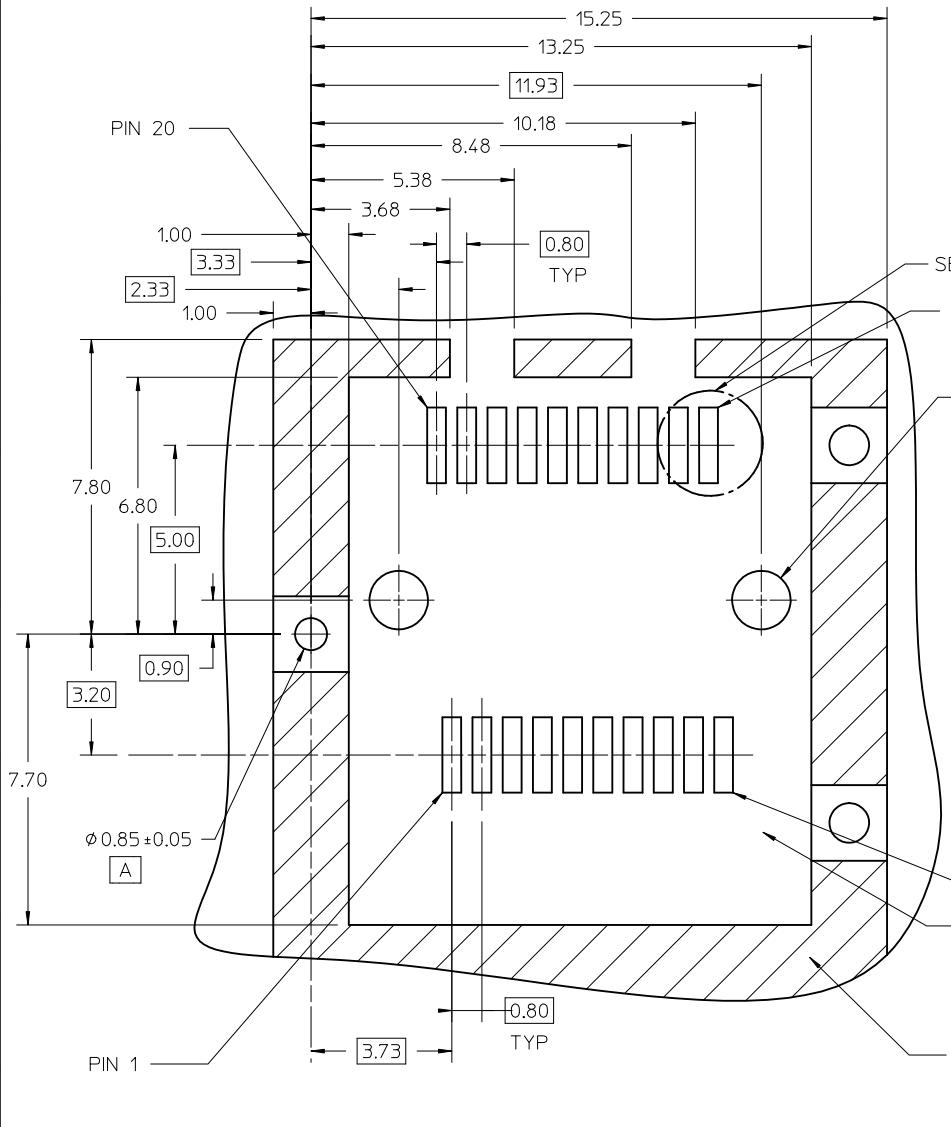
SECTION A1-A1
SCALE 12:1



SECTION B1-B1
SCALE 12:1



SEE SHEET 1 EC NO: UCP2012-2043 DRWN: JANTELEZ10 2011/12/28 CHKD: APPR: MBANAKIS 2012/01/13	QUALITY SYMBOLS ∇=0 ∇=0 ∇=0	GENERAL TOLERANCES (UNLESS SPECIFIED)		DIMENSION STYLE MM ONLY		SCALE 5:1	DESIGN UNITS METRIC	THIRD ANGLE PROJECTION		
		4 PLACES ± --- ± ---	3 PLACES ± --- ± ---	DRAWN BY JGONZALEZ01	DATE 2010/05/05	TITLE ZSFP+ ASSEMBLY 20CKT SMT				
		2 PLACES ± 0.13 ± ---	1 PLACE ± 0.25 ± ---	CHECKED BY JJANTELEZ10	DATE 2010/06/23	APPROVED BY MBANAKIS 2010/07/15				
		ANGULAR ± 1/2°		MATERIAL NO.		MOLEX INCORPORATED		DOCUMENT NO. SD-170382-001	SHEET NO. 2 OF 3	
DRAFT WHERE APPLICABLE MUST REMAIN WITHIN DIMENSIONS				SEE SHEET 1		THIS DRAWING CONTAINS INFORMATION THAT IS PROPRIETARY TO MOLEX INCORPORATED AND SHOULD NOT BE USED WITHOUT WRITTEN PERMISSION				



SEE DETAIL A

PIN 11

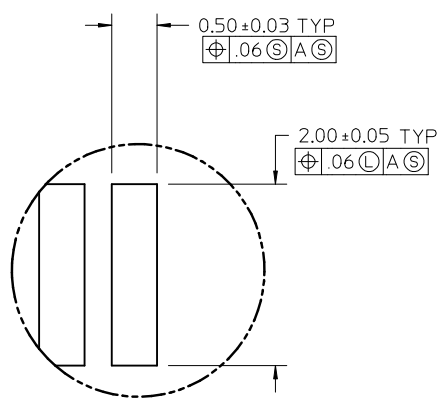
$\phi 1.55 \pm 0.05$ 2PLCS

$\phi \pm 0.1$ (L) (A) (S)

PIN 10

THIS AREA DENOTES
COMPONENT KEEP-OUT
(TRACES ALLOWED)

CROSS HATCHED AREA DENOTES
COMPONENT AND TRACE KEEP-OUT
(EXCEPT CHASIS GROUND)



DETAIL A
SCALE 24:1

SEE SHEET 1 EC NO: UCP2012-2043 DRWN: J JANTELEZ10 2011/12/28 CHKD: APPR: MBANAKIS 2012/01/13	QUALITY SYMBOLS $\nabla = 0$ $\nabla = 0$ $\nabla = 0$	GENERAL TOLERANCES (UNLESS SPECIFIED)		DIMENSION STYLE MM ONLY	SCALE 10:1	DESIGN UNITS METRIC	THIRD ANGLE PROJECTION		
		4 PLACES \pm --- \pm ---	3 PLACES \pm --- \pm ---	2 PLACES ± 0.13 \pm ---	1 PLACE ± 0.25 \pm ---	DRAWN BY DATE JGONZALEZ01 2010/05/05	TITLE ZSFP+ ASSEMBLY 20CKT SMT		
		ANGULAR $\pm 1/2^\circ$				CHECKED BY DATE JJANTELEZ10 2010/06/23	APPROVED BY DATE MBANAKIS 2010/07/15		
		DRAFT WHERE APPLICABLE MUST REMAIN WITHIN DIMENSIONS				MATERIAL NO. SEE SHEET 1	DOCUMENT NO. SD-170382-001	SHEET NO. 3 OF 3	