



Chipsmall Limited consists of a professional team with an average of over 10 year of expertise in the distribution of electronic components. Based in Hongkong, we have already established firm and mutual-benefit business relationships with customers from,Europe,America and south Asia,supplying obsolete and hard-to-find components to meet their specific needs.

With the principle of “Quality Parts,Customers Priority,Honest Operation,and Considerate Service”,our business mainly focus on the distribution of electronic components. Line cards we deal with include Microchip,ALPS,ROHM,Xilinx,Pulse,ON,Everlight and Freescale. Main products comprise IC,Modules,Potentiometer,IC Socket,Relay,Connector.Our parts cover such applications as commercial,industrial, and automotives areas.

We are looking forward to setting up business relationship with you and hope to provide you with the best service and solution. Let us make a better world for our industry!



Contact us

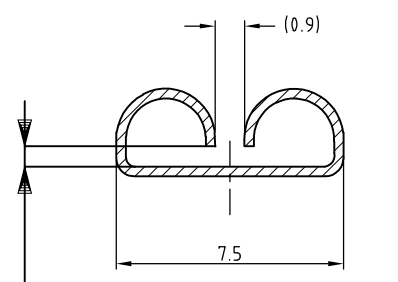
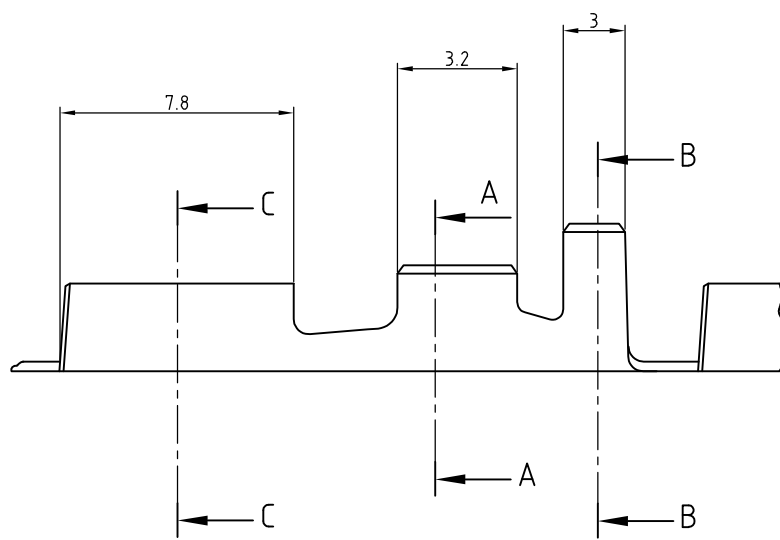
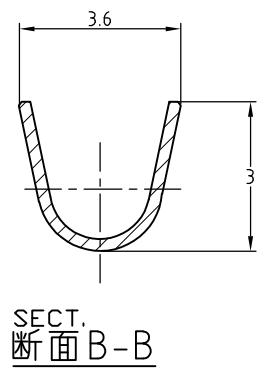
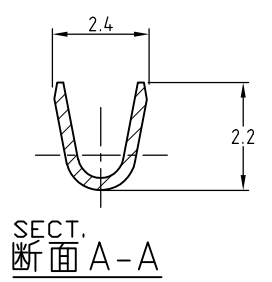
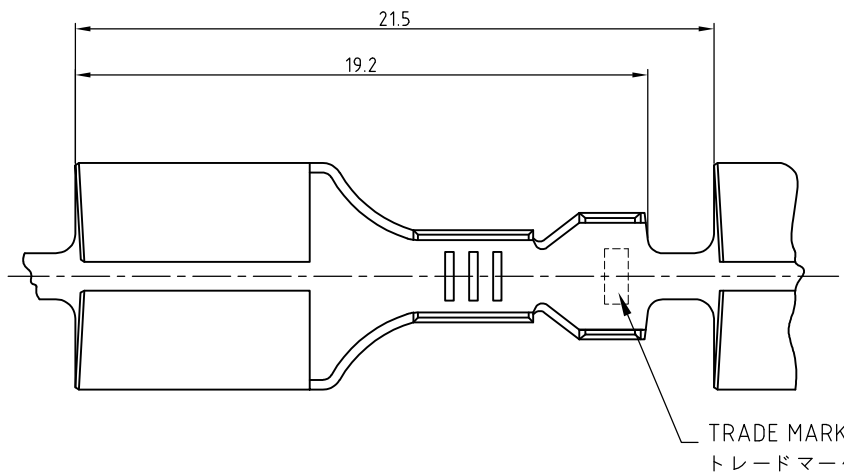
Tel: +86-755-8981 8866 Fax: +86-755-8427 6832

Email & Skype: info@chipsmall.com Web: www.chipsmall.com

Address: A1208, Overseas Decoration Building, #122 Zhenhua RD., Futian, Shenzhen, China



LOC J	DIST —	REVISIONS 変更			DATE	DWN	APVD
		P	LTR	DESCRIPTION			
			B1	REVISED PER ECO-11-005030	11MAR11	RK	HMR



この寸法はかん合力によって規定する。
THIS DIMENSION IS CONTROLLED WITH MATING FORCE

NOTE;
 △ STRESS RELIEVING FINISH IS SUBJECT TO CHANGE BY THE TYPE OF STRESS RELIVING PROCESS
 INERT GAS FURNACE --- MATTE
 ATMOSPHERIC FURNACE FOLLOWED BY ACID PICKLE --- BRIGHT

注：
 △1. ストレス除去処理
 処理法により外観が変わります。
 不活性ガス加熱方式 --- 無光沢
 大気加熱方式 --- 光沢

TIN PLATING 錫めっき	BRASS THICKNESS 黄銅 板厚 0.32	170384-2
— // —	BRASS THICKNESS 黄銅 板厚 0.32	170384-1
FINISH 仕上 △	MATERIAL 材質	PART NO. 型番

THIS DRAWING IS UNPUBLISHED. ALL RIGHTS RESERVED. RELEASED FOR PUBLICATION BY — COPYRIGHT —

WIRE RANGE 絶縁電線断面積 0.3~0.5mm ² (AWG#22-20)	INSULATION DIA 被覆外径 1.5~2.2mmφ	DWN J.SATO 17MAY2007	MATERIAL 材料 SEE TABLE	FINISH 仕上 SEE TABLE
DIMENSIONS: 単位: 耗 mm		CHK S.MANABE 17MAY2007	TE Connectivity	
TOLERANCES UNLESS OTHERWISE SPECIFIED: 一般公差		APVD S.MANABE 17MAY2007		
10以下 ± 0.2	10#超え30以下 ± 0.25	PRODUCT SPEC 製品規格	NAME 名称 .250 SERIES RECEPTACLE WITHOUT LATCH	
30#超え100以下 ± 0.3	ANGLES ± 3'	APPLICATION SPEC 取付適用規格	SIZE A4	CAGE CODE 00779
WEIGHT		DRAWING NO 番号 C-170384		RESTRICTED TO —
CUSTOMER DRAWING			SCALE 尺度 4:1	SHEET 1 OF 1
			REV B1	