



Chipsmall Limited consists of a professional team with an average of over 10 year of expertise in the distribution of electronic components. Based in Hongkong, we have already established firm and mutual-benefit business relationships with customers from,Europe,America and south Asia,supplying obsolete and hard-to-find components to meet their specific needs.

With the principle of “Quality Parts,Customers Priority,Honest Operation,and Considerate Service”,our business mainly focus on the distribution of electronic components. Line cards we deal with include Microchip,ALPS,ROHM,Xilinx,Pulse,ON,Everlight and Freescale. Main products comprise IC,Modules,Potentiometer,IC Socket,Relay,Connector.Our parts cover such applications as commercial,industrial, and automotives areas.

We are looking forward to setting up business relationship with you and hope to provide you with the best service and solution. Let us make a better world for our industry!



## Contact us

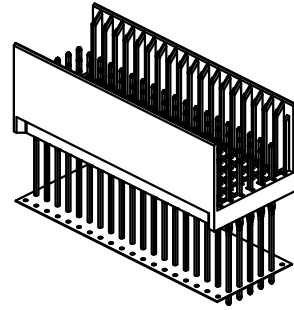
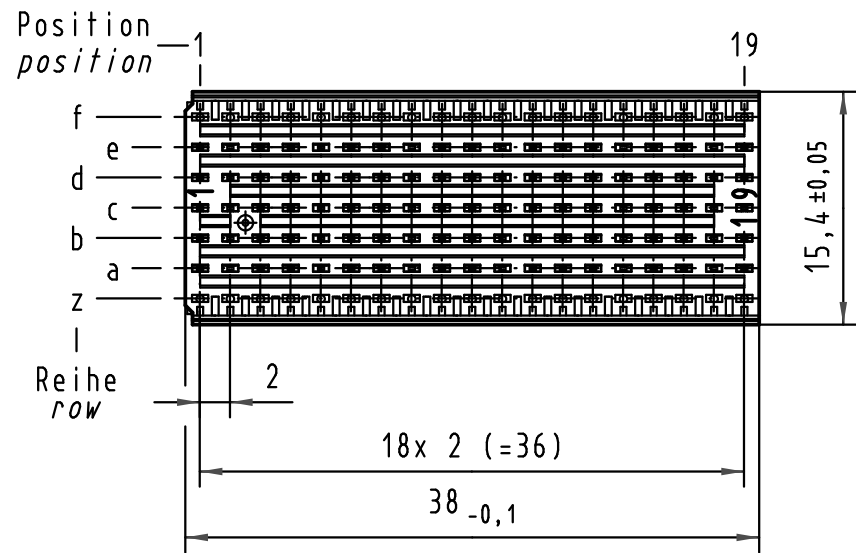
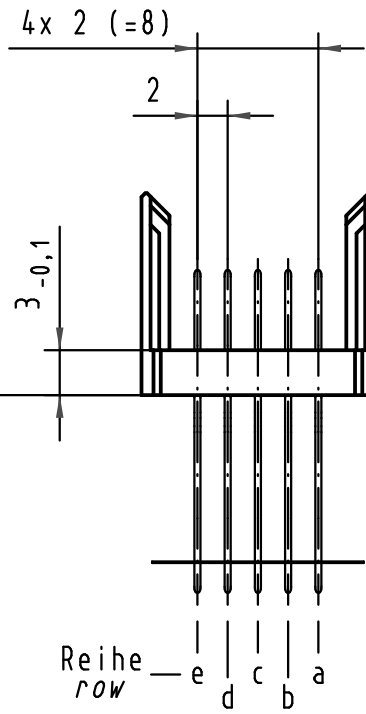
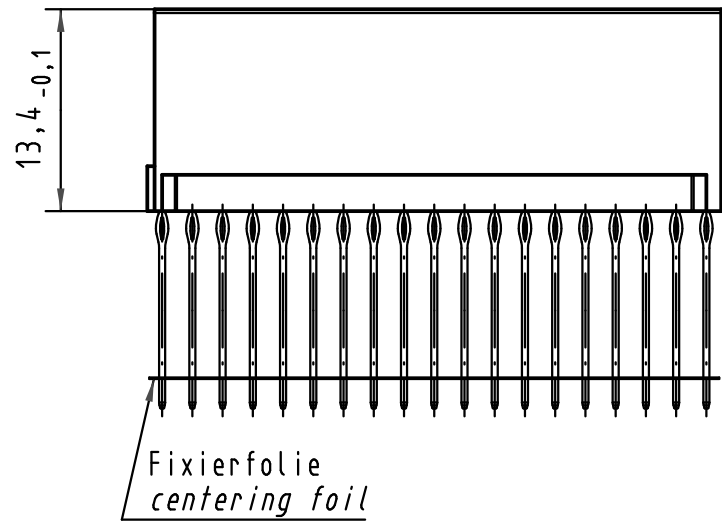
Tel: +86-755-8981 8866 Fax: +86-755-8427 6832

Email & Skype: info@chipsmall.com Web: www.chipsmall.com

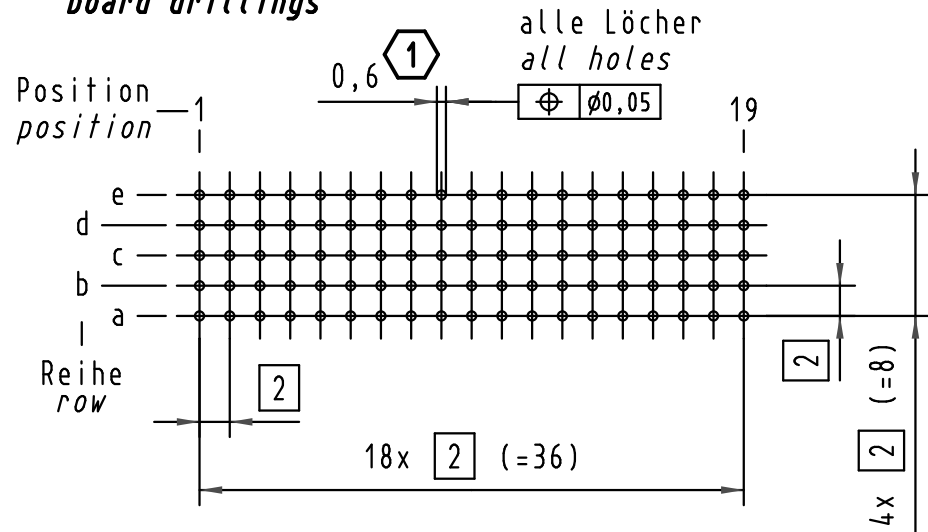
Address: A1208, Overseas Decoration Building, #122 Zhenhua RD., Futian, Shenzhen, China



Alle Rechte vorbehalten/ All rights reserved

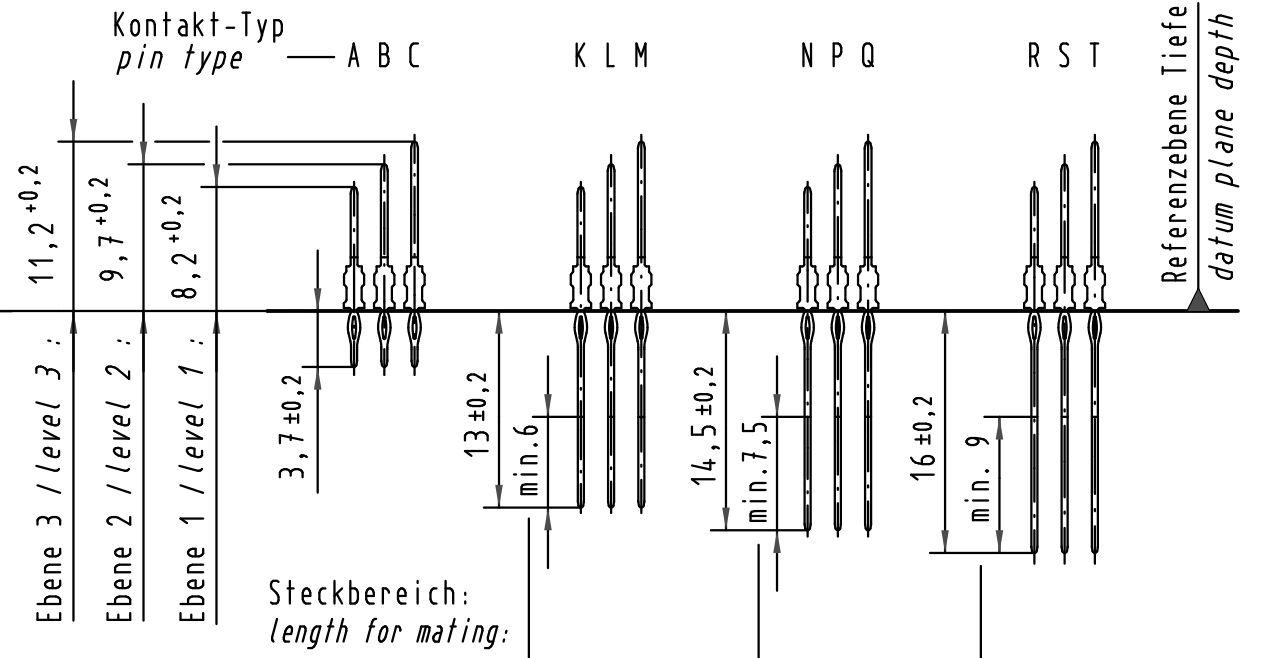


**Lochbild  
board drillings**

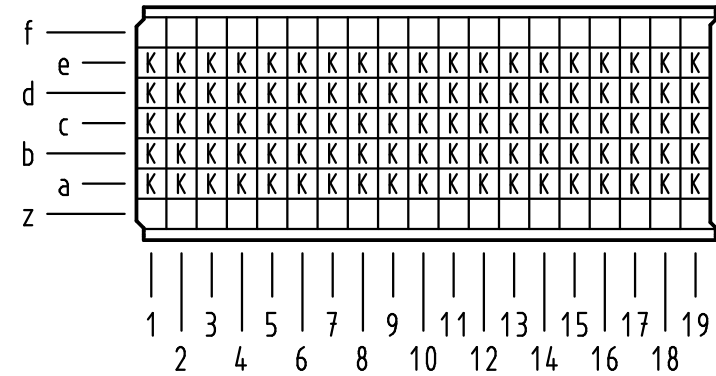


**Kontakt-Maße  
contact dimensions**

(Längen der Steck- und Anschlußseite gelten für eingepreßte Steckverbinder)  
(mating and termination length of contacts apply to pressed in connectors)



**Kontaktbelegung  
contact loading**



① Empfohlener Lochaufbau und weitere Informationen siehe: DS 17 00 110 0101  
recommended configuration of plated through holes and further information see: DS 17 00 110 0101

17 05 095 4401	S4
17 05 095 2401	2
17 05 095 1401	1
Bestell-Nr. part-no.	Anforderungsstufe performance level ①

All Dimensions in mm Original Size DIN A 3		Techn. Character.			Nicht tolerierte Maß/Free size tolerances IEC 61076-4-101	
Mod.	Dat.	Name	Dat.	Name	Maßstab/Scale	
35967	08.01.10	Hage.	Detail.	01.10.98	Rie.	2:1
35560	21.08.09	Hage.	Insp.	01.10.98	Weil.	
34337	21.05.07	Clä	Stand.			
29391	07.03.01	Rie.	HARTING Electronics GmbH & Co. KG			TB 17 05 095 x401
24567			D-32339 ESPELKAMP			
						Blatt/ page
						Sub.