



Chipsmall Limited consists of a professional team with an average of over 10 year of expertise in the distribution of electronic components. Based in Hongkong, we have already established firm and mutual-benefit business relationships with customers from,Europe,America and south Asia,supplying obsolete and hard-to-find components to meet their specific needs.

With the principle of "Quality Parts,Customers Priority,Honest Operation,and Considerate Service",our business mainly focus on the distribution of electronic components. Line cards we deal with include Microchip,ALPS,ROHM,Xilinx,Pulse,ON,Everlight and Freescale. Main products comprise IC,Modules,Potentiometer,IC Socket,Relay,Connector.Our parts cover such applications as commercial,industrial, and automotives areas.

We are looking forward to setting up business relationship with you and hope to provide you with the best service and solution. Let us make a better world for our industry!



## Contact us

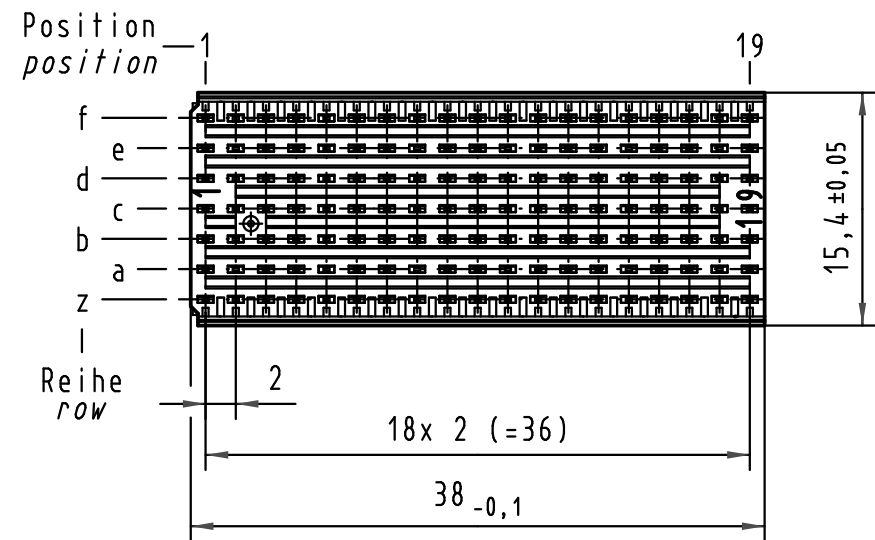
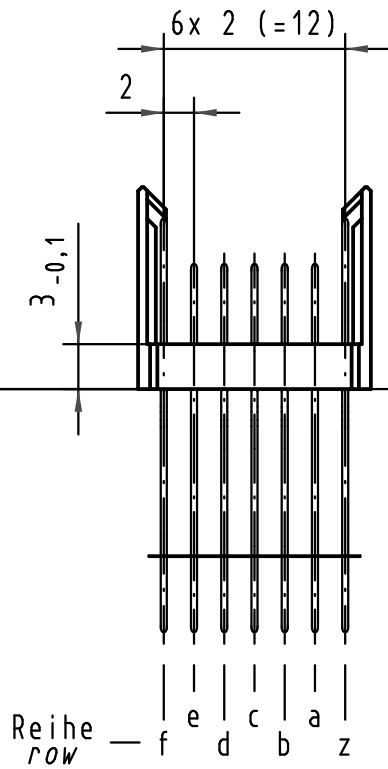
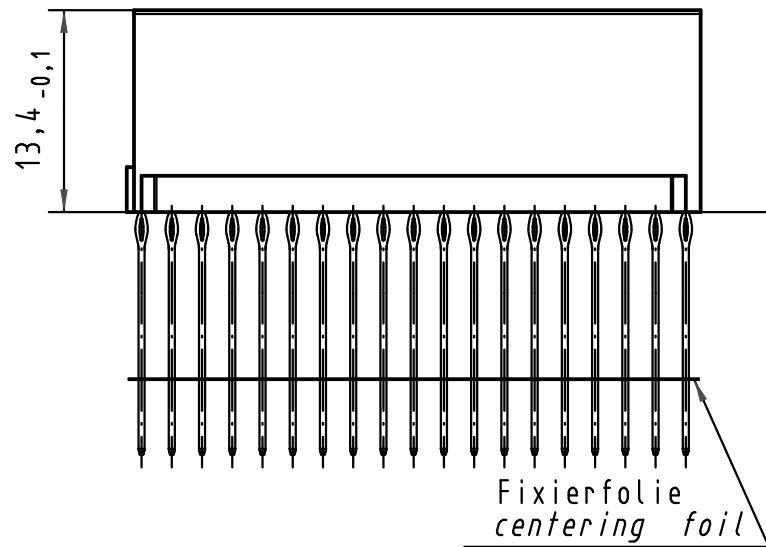
Tel: +86-755-8981 8866 Fax: +86-755-8427 6832

Email & Skype: info@chipsmall.com Web: www.chipsmall.com

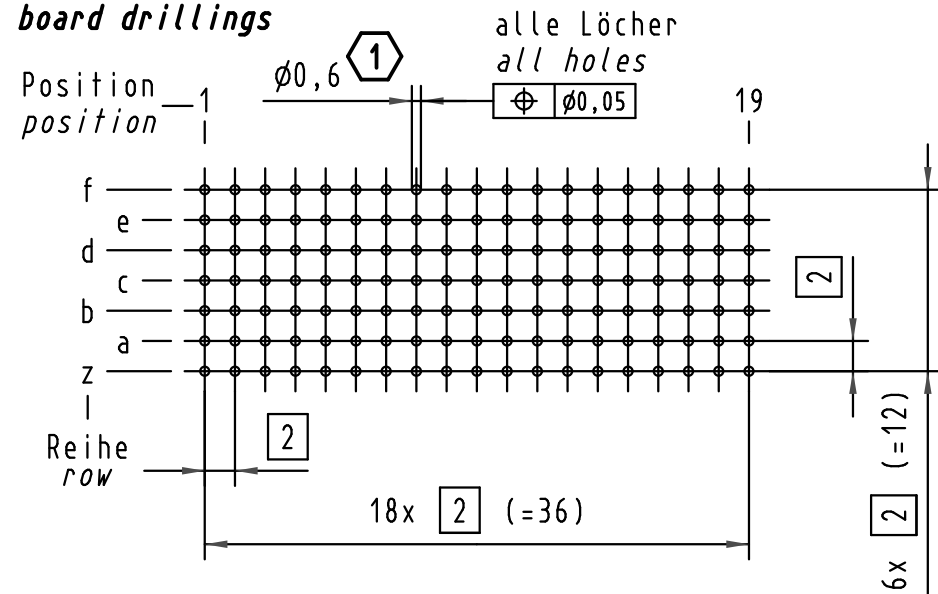
Address: A1208, Overseas Decoration Building, #122 Zhenhua RD., Futian, Shenzhen, China



Alle Rechte vorbehalten/ All rights reserved

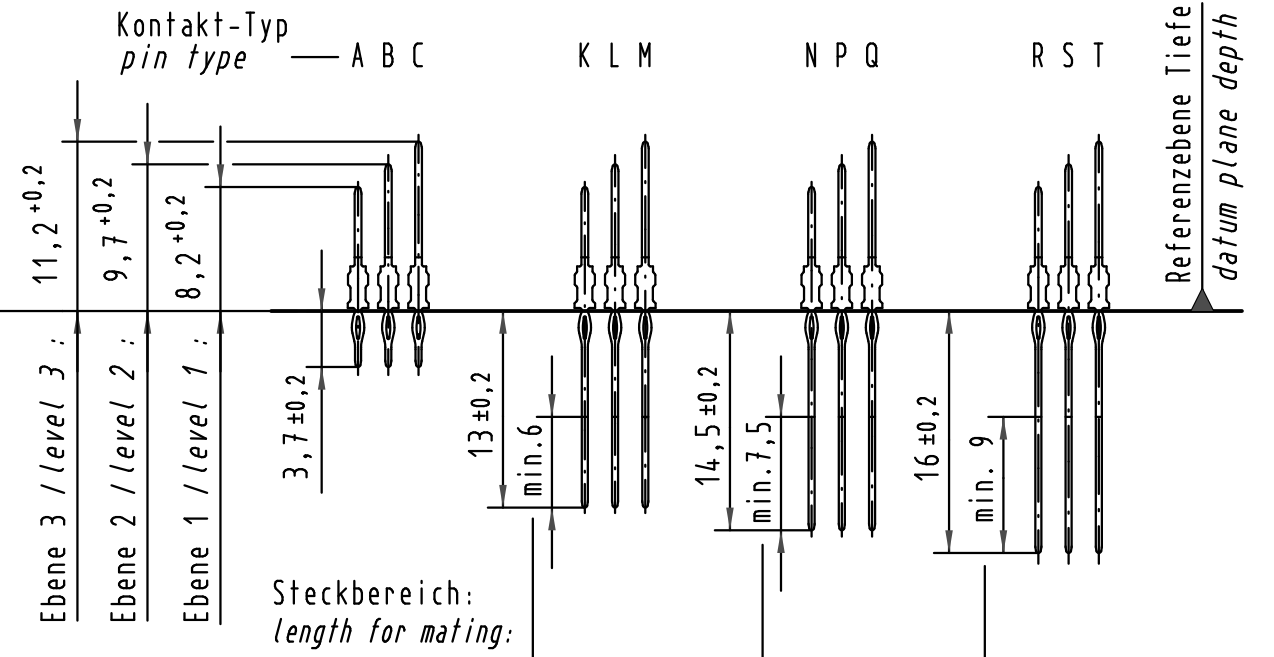


**Lochbild**  
board drillings

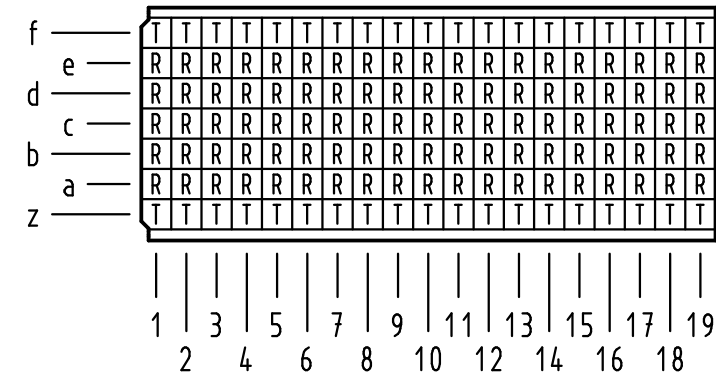


**Kontakt-Maße**  
contact dimensions

(Längen der Steck- und Anschlußseite gelten für eingepreßte Steckverbinder)  
(mating and termination length of contacts apply to pressed in connectors)



**Kontaktbelegung**  
contact loading



**1** Empfohlener Lochaufbau und weitere Informationen siehe: DS 17 00 110 0101  
recommended configuration of plated through holes and further information see: DS 17 00 110 0101

17 05 133 4602	S4
17 05 133 2602	2
17 05 133 1602	1
Bestell-Nr. part-no.	Anforderungsstufe performance level <b>1</b>

All Dimensions in mm Original Size DIN A 3		Techn. Character.			Nicht tolerierte Maßel/Free size tolerances IEC 61076-4-101	
Mod.	Dat.	Name	Dat.	Name	Maßstab/Scale	har-bus HM Messerleiste Typ B-19 133pol., Anschlußlänge 16mm har-bus HM male connector type B-19 133pol., termination length 16mm
35967	08.01.10	Hage.	Insp. 02.02.99	HL.	2:1	
34337	22.05.07	Clä	Stand.			
29392	08.03.01	Rie.	HARTING Electronics GmbH & Co. KG			
25082			D-32339 ESPELKAMP			
			HARTING			

TB 17 05 133 x602	Blatt/ page
Sub.	