



Chipsmall Limited consists of a professional team with an average of over 10 year of expertise in the distribution of electronic components. Based in Hongkong, we have already established firm and mutual-benefit business relationships with customers from,Europe,America and south Asia,supplying obsolete and hard-to-find components to meet their specific needs.

With the principle of “Quality Parts,Customers Priority,Honest Operation,and Considerate Service”,our business mainly focus on the distribution of electronic components. Line cards we deal with include Microchip,ALPS,ROHM,Xilinx,Pulse,ON,Everlight and Freescale. Main products comprise IC,Modules,Potentiometer,IC Socket,Relay,Connector.Our parts cover such applications as commercial,industrial, and automotives areas.

We are looking forward to setting up business relationship with you and hope to provide you with the best service and solution. Let us make a better world for our industry!



## Contact us

Tel: +86-755-8981 8866 Fax: +86-755-8427 6832

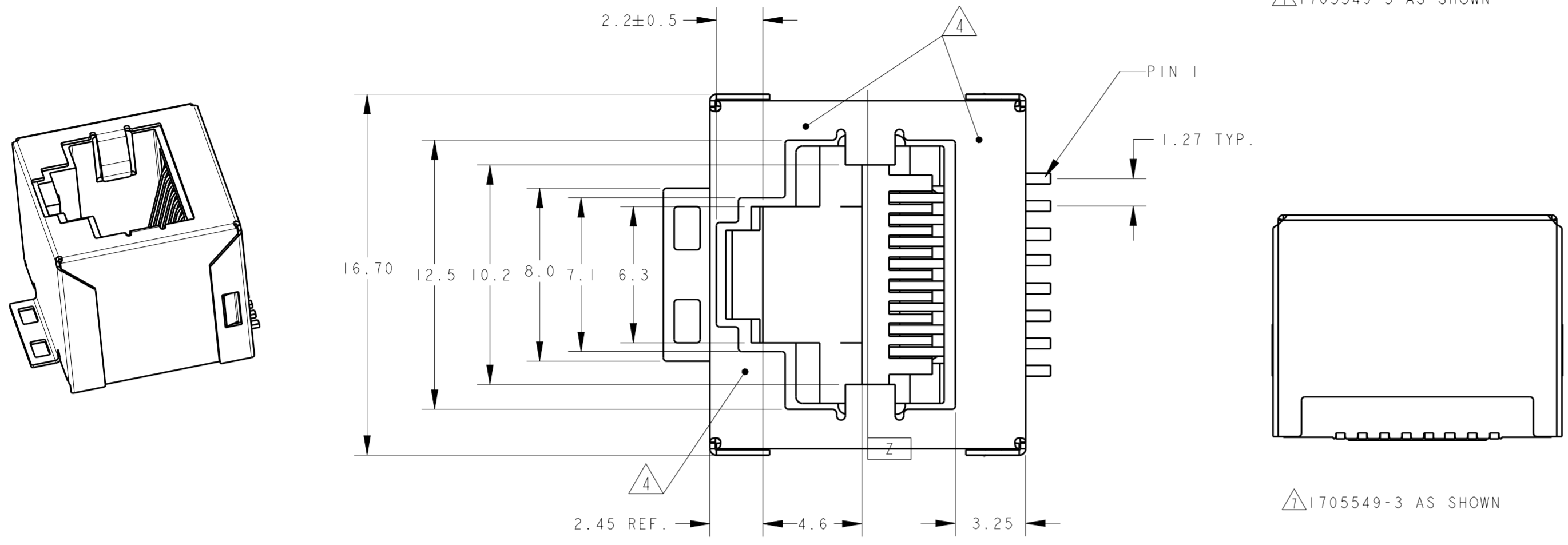
Email & Skype: info@chipsmall.com Web: www.chipsmall.com

Address: A1208, Overseas Decoration Building, #122 Zhenhua RD., Futian, Shenzhen, China

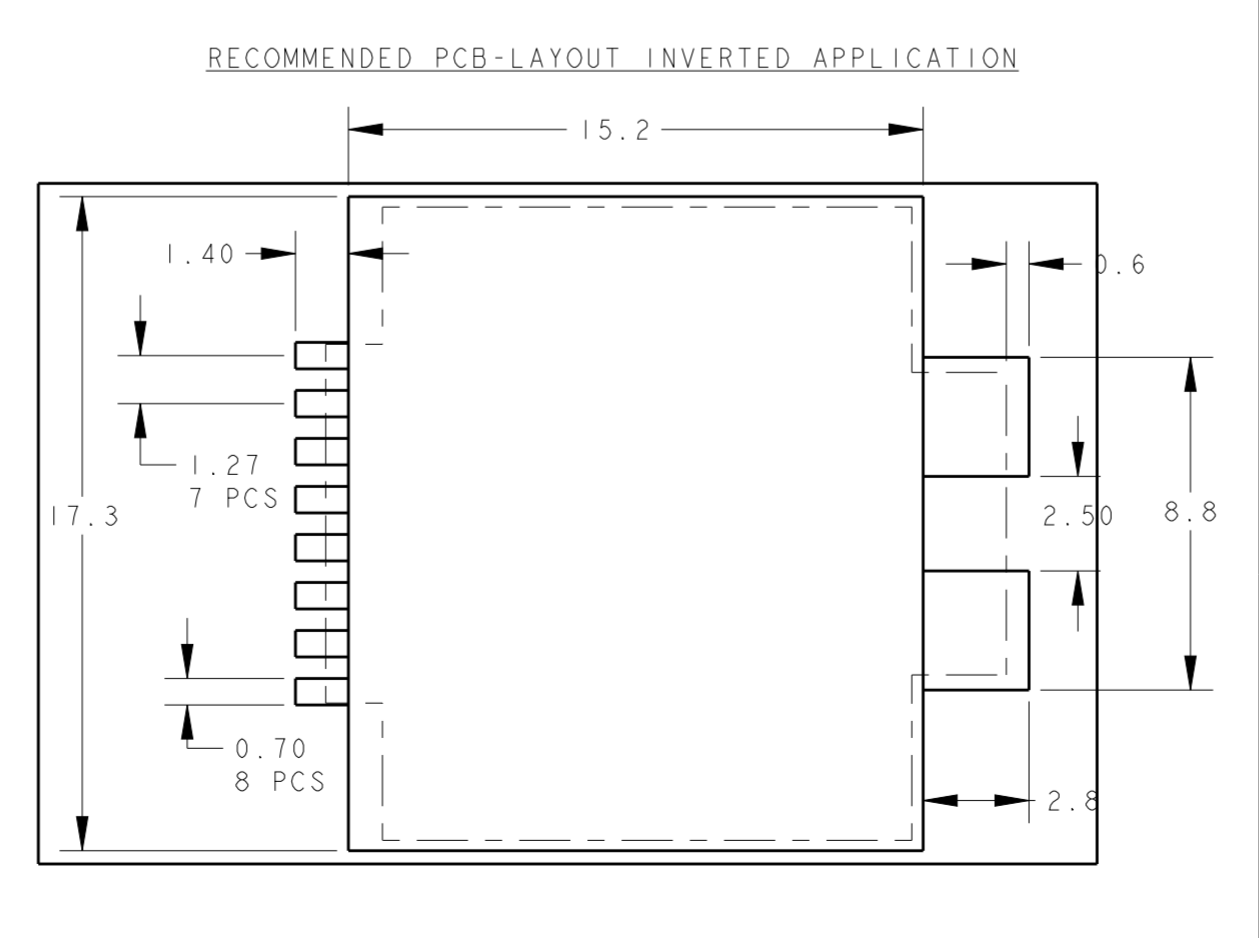
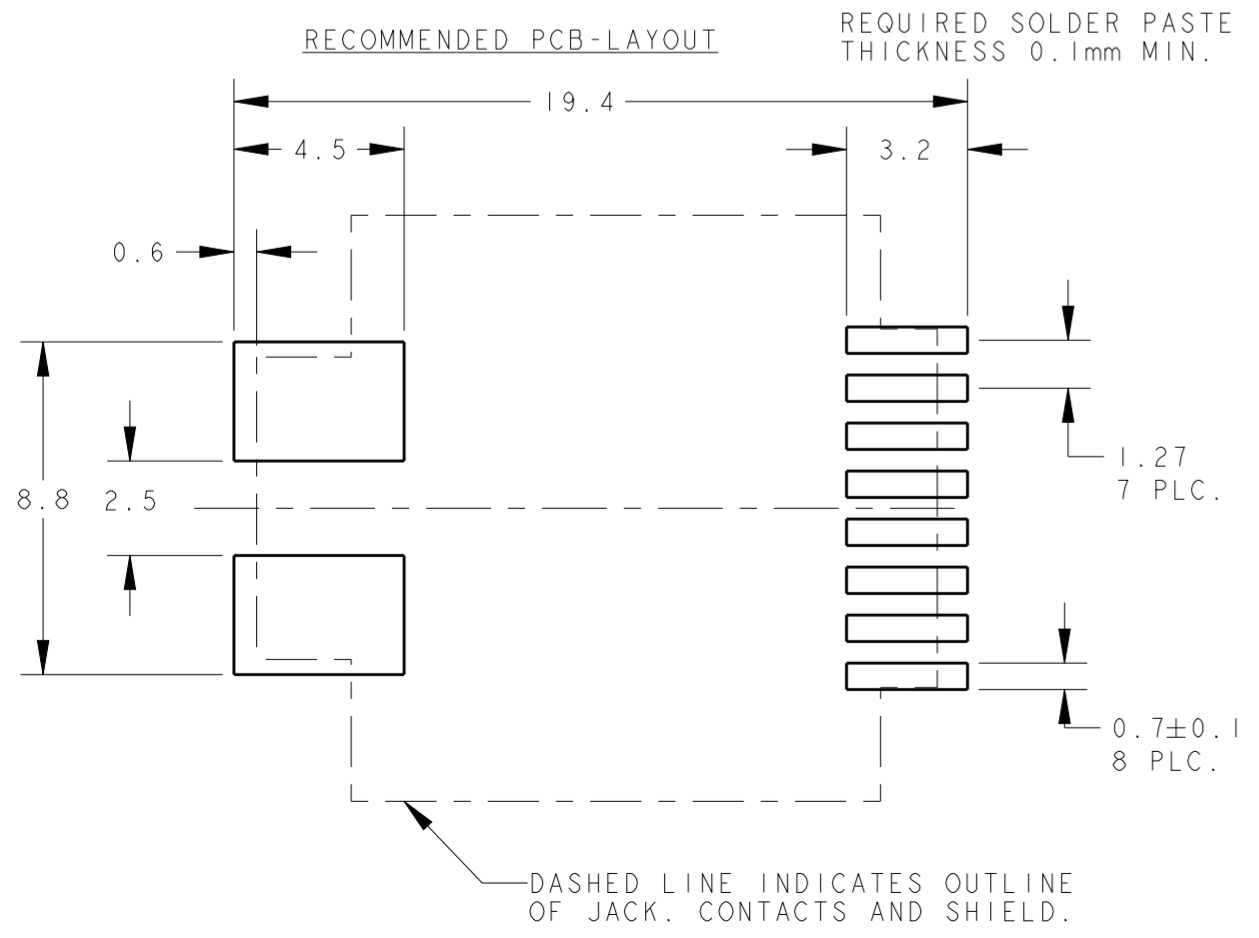
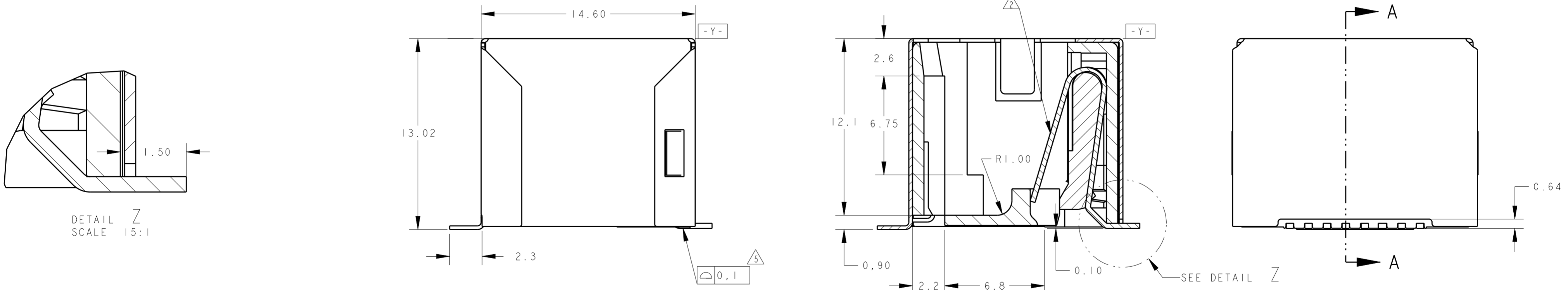


THIS DRAWING IS UNPUBLISHED. RELEASED FOR PUBLICATION 2011  
 © COPYRIGHT 2011 TE CONNECTIVITY ALL RIGHTS RESERVED.

LOC		DIST		REVISIONS			
P	LTR	DESCRIPTION	DATE	DWN	APVD		
F		SHIELD RAWMATERIAL CHANGED TO BRASS	08MAR2012	PS	RRP		
G		PER ECO-11-025237	-	PS	RRP		
H		ECR-11-021290	-	PS	RRP		
J		ECO-16-001320	13JUN2016	AD	SH		



- NOTES:
- 1 TOLERANCES UNLESS OTHERWISE SPECIFIED: ±0,15
  - 2 CONTACT PLATING:  
 OVERALL: Ni 1.27µm MIN. ALL OVER THE CONTACTS  
 SOLDER ZONE: Sn 3.5-5.0µm ON THE SOLDER ZONE OF THE CONTACT  
 MATING ZONE: PLATING CONFIRMS TO PRODUCT REQUIREMENTS AS PER SPECIFICATION 108-19117
  - 3 MATERIAL:  
 HOUSING: 30% G.F. PA 4T COLOR YELLOW, UL 94V-0  
 CONTACTS: PHOSPHOR BRONZE  
 SHIELD: TINPLATED BRASS
  - 4 SURFACE CAN BE USED FOR PICKING THE MODULAR JACK WITH TYPE II SMD MACHINE.
  - 5 MEASURED AT HEEL OF CONTACTS.  
 COPLANARITY AT TIPS MAX. 0,18 mm.
  - 6 TAPE AND REEL PACKING AS PER EIA 481-3
  - 7 MATERIAL:  
 HOUSING: 30% G.F. LCP COLOR BLACK, UL 94V-0  
 CONTACTS: PHOSPHOR BRONZE  
 SHIELD: TINPLATED BRASS



SECTION A - A

1705549-1 AS SHOWN.

7	BLACK	1705549-3	3
3	YELLOW	1705549-2	2
7	BLACK	1705549-1	1
MATERIAL	COLOUR	PART NUMBER	SL NO.

THIS DRAWING IS A CONTROLLED DOCUMENT.

DWN: P. WILLEMS, 17 JUN 04  
 CHK: P. GROELS, 17 JUN 04  
 APVD: P. JAEGER

NAME: MODULAR JACK SMT, 8 POSITION,  
 -

SIZE: A2, CAGE CODE: 0779, DRAWING NO: C-1705549, RESTRICTED TO: -

MATERIAL: SEE NOTE 3 - TOLERANCES UNLESS OTHERWISE SPECIFIED: SEE NOTE 2 -

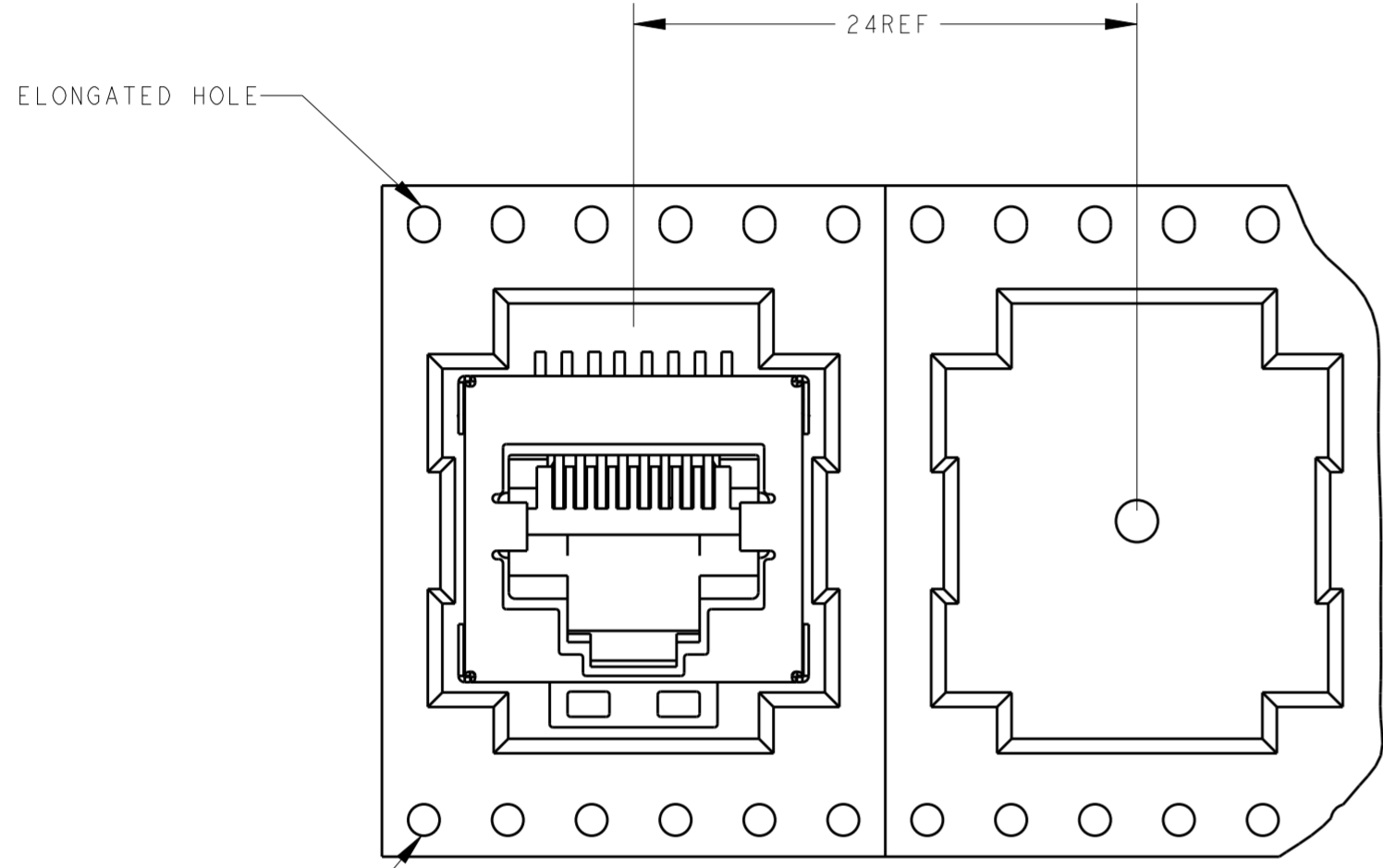
0 PLC ±0.15  
 1 PLC ±0.05  
 2 PLC ±0.005  
 3 PLC ±0.005  
 4 PLC ±  
 ANGLES ±  
 FINISH ±

PRODUCT SPEC: -  
 APPLICATION SPEC: -  
 WEIGHT: -

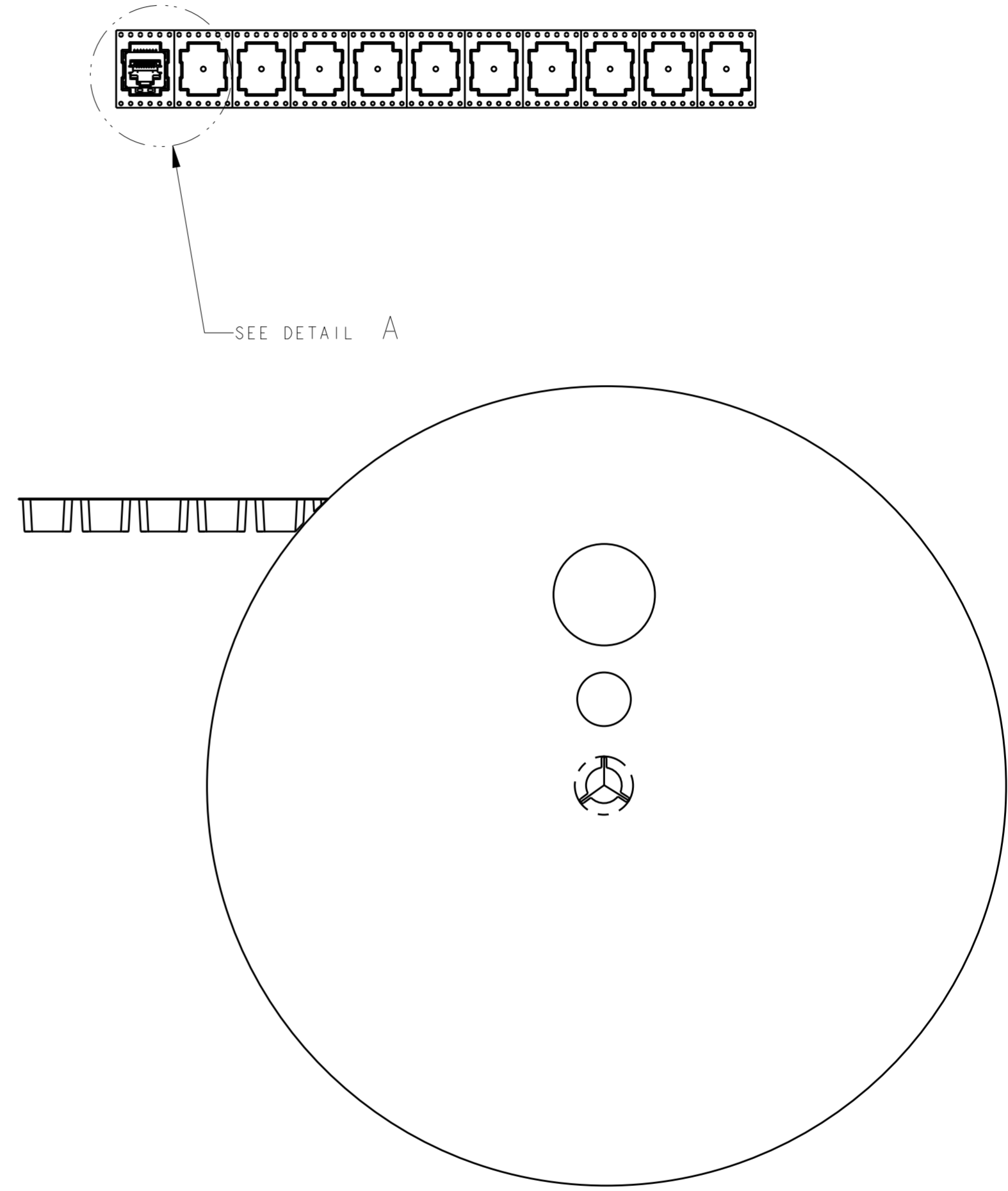
CUSTOMER DRAWING SCALE: 5:1 SHEET: 1 OF 2 REV: K

THIS DRAWING IS UNPUBLISHED. RELEASED FOR PUBLICATION 2011  
 © COPYRIGHT 2011 TE CONNECTIVITY ALL RIGHTS RESERVED.

LOC	DIST	REVISIONS			
P	LTR	DESCRIPTION	DATE	DWN	APVD
IR	-	-	-	-	-
		SEE SHEET 1			



DETAIL A  
SCALE 3:1



SCALE 1:2

THIS DRAWING IS A CONTROLLED DOCUMENT.		DWN P. WILLEMS 17 JUN 04	TE Connectivity	
		CHK P. GROELS 17 JUN 04		
DIMENSIONS:		APVD P. JAEGER	NAME MODULAR JACK SMT , 8 POSITION,	
mm	TOLERANCES UNLESS OTHERWISE SPECIFIED:	PRODUCT SPEC	SIZE   CAGE CODE   DRAWING NO   RESTRICTED TO	
	0 PLC ±	APPLICATION SPEC	A20779C-1705549	
	1 PLC ±0.15	WEIGHT	SCALE 5:1   SHEET 2 OF 2   REV K	
	2 PLC ±0.05			
	3 PLC ±0.005			
	4 PLC ±			
	ANGLES ±			
	FINISH			
MATERIAL		CUSTOMER DRAWING		