



Chipsmall Limited consists of a professional team with an average of over 10 year of expertise in the distribution of electronic components. Based in Hongkong, we have already established firm and mutual-benefit business relationships with customers from,Europe,America and south Asia,supplying obsolete and hard-to-find components to meet their specific needs.

With the principle of “Quality Parts,Customers Priority,Honest Operation,and Considerate Service”,our business mainly focus on the distribution of electronic components. Line cards we deal with include Microchip,ALPS,ROHM,Xilinx,Pulse,ON,Everlight and Freescale. Main products comprise IC,Modules,Potentiometer,IC Socket,Relay,Connector.Our parts cover such applications as commercial,industrial, and automotives areas.

We are looking forward to setting up business relationship with you and hope to provide you with the best service and solution. Let us make a better world for our industry!



## Contact us

Tel: +86-755-8981 8866 Fax: +86-755-8427 6832

Email & Skype: info@chipsmall.com Web: www.chipsmall.com

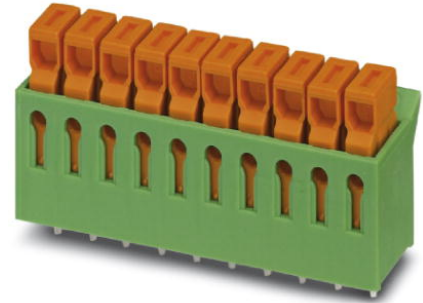
Address: A1208, Overseas Decoration Building, #122 Zhenhua RD., Futian, Shenzhen, China



## IDC 0,3/ 2-3,81

Order No.: 1706170

The figure shows a 10-position version of the product

<http://eshop.phoenixcontact.de/phoenix/treeViewClick.do?UID=1706170>

PC terminal block, Nominal current: 5 A, Nom. voltage: 160 V, Pitch: 3.81 mm, Number of positions: 2, Type of connection: Insulation displacement connection QUICKON, Assembly: Soldering, Conductor/PCB connection direction: 0 °, Color: green

### Commercial data

|                          |                    |
|--------------------------|--------------------|
| EAN                      | 4017918116675      |
| Pack                     | 50 pcs.            |
| Customs tariff           | 85369010           |
| Weight/Piece             | 0.001505 KG        |
| Catalog page information | Page 121 (CC-2009) |

### Product notes

WEEE/RoHS-compliant since:  
01/01/2003

<http://www.download.phoenixcontact.com>  
Please note that the data given here has been taken from the online catalog. For comprehensive information and data, please refer to the user documentation. The General Terms and Conditions of Use apply to Internet downloads.

### Technical data

#### Dimensions / positions

|             |         |
|-------------|---------|
| Length      | 10 mm   |
| Pitch       | 3.81 mm |
| Dimension a | 3.81 mm |

|                     |            |
|---------------------|------------|
| Number of positions | 2          |
| Pin dimensions      | 1 x 0,4 mm |
| Hole diameter       | 1.3 mm     |

#### Technical data

|                                    |   |
|------------------------------------|---|
| Insulating material group          | I   |
| Rated surge voltage (III/3)        | 2.5 kV  |
| Rated surge voltage (III/2)        | 2.5 kV  |
| Rated surge voltage (II/2)         | 2.5 kV  |
| Rated voltage (III/2)              | 160 V   |
| Rated voltage (II/2)               | 320 V   |
| Connection in acc. with standard   | EN-VDE  |
| Nominal current $I_N$              | 5 A   |
| Nominal voltage $U_N$              | 160 V   |
| Nominal cross section              | 0.34 mm <sup>2</sup>                                    |
| Maximum load current               | 5 A (with 0.34 mm <sup>2</sup> conductor cross section) |
| Insulating material                | PA  |
| Inflammability class acc. to UL 94 | V0  |

#### Connection data

|  |                      |
|--|----------------------|
| Conductor cross section solid min.     | 0.13 mm <sup>2</sup> |
| Conductor cross section solid max.     | 0.34 mm <sup>2</sup> |
| Conductor cross section stranded min.  | 0.22 mm <sup>2</sup> |
| Conductor cross section stranded max.  | 0.34 mm <sup>2</sup> |
| Conductor cross section AWG/kcmil min. | 26                   |
| Conductor cross section AWG/kcmil max  | 22                   |

#### Certificates / Approvals



Certification CSA, CUL, GOST, UL

#### CSA

|                       |       |
|-----------------------|-------|
| Nominal voltage $U_N$ | 300 V |
| Nominal current $I_N$ | 5 A   |
| AWG/kcmil             | 28-22 |

**CUL**

|                       |       |
|-----------------------|-------|
| Nominal voltage $U_N$ | 300 V |
| Nominal current $I_N$ | 5 A   |
| AWG/kcmil             | 28-22 |

**UL**

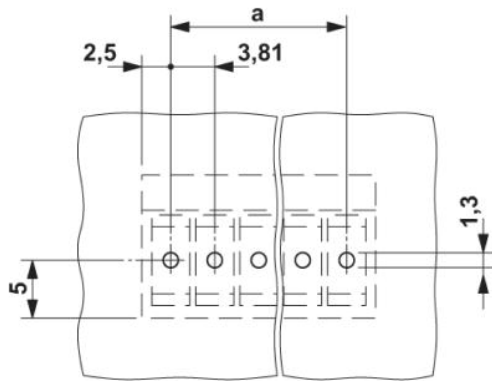
|                       |       |
|-----------------------|-------|
| Nominal voltage $U_N$ | 300 V |
| Nominal current $I_N$ | 5 A   |
| AWG/kcmil             | 28-22 |

**Accessories**

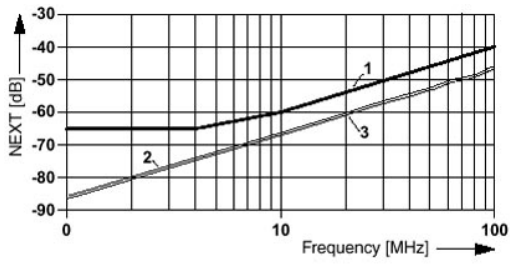
| Item    | Designation              | Description  |
|---------|--------------------------|--|
| 0804109 | SK 3,81/2,8:FORTL.ZAHLEN | Marker card, printed horizontally, self-adhesive, 10-section marker strip, 14 identical decades marked 1-10, 11-20 etc. up to 91-(99)100, sufficient for 140 terminal blocks |

**Diagrams/Drawings**

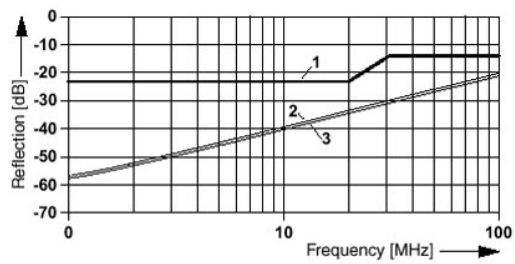
Drilling plan/solder pad geometry



Diagram

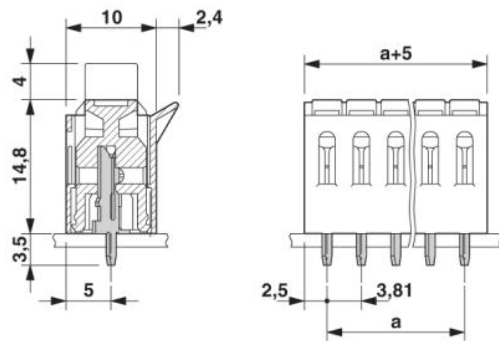


- 1 = Limit values acc. to EN 50173 for connection technology
- 2 = NEXT 12-36 on the soldering tag
- 3 = NEXT 12-36 on the contact terminal block



- 1 = Limit values acc. to EN 50173 for connection technology
- 2 = NEXT 12 on the soldering tag
- 3 = NEXT 36 on the soldering tag

Dimensioned drawing



**Address**

PHOENIX CONTACT Deutschland GmbH  
Flachmarktstr. 8  
32825 Blomberg, Germany  
Phone +49 5235 3 12000  
Fax +49 5235 3 41200  
<http://www.phoenixcontact.de>



© 2010 Phoenix Contact  
Technical modifications reserved;