



Chipsmall Limited consists of a professional team with an average of over 10 year of expertise in the distribution of electronic components. Based in Hongkong, we have already established firm and mutual-benefit business relationships with customers from,Europe,America and south Asia,supplying obsolete and hard-to-find components to meet their specific needs.

With the principle of “Quality Parts,Customers Priority,Honest Operation,and Considerate Service”,our business mainly focus on the distribution of electronic components. Line cards we deal with include Microchip,ALPS,ROHM,Xilinx,Pulse,ON,Everlight and Freescale. Main products comprise IC,Modules,Potentiometer,IC Socket,Relay,Connector.Our parts cover such applications as commercial,industrial, and automotives areas.

We are looking forward to setting up business relationship with you and hope to provide you with the best service and solution. Let us make a better world for our industry!



Contact us

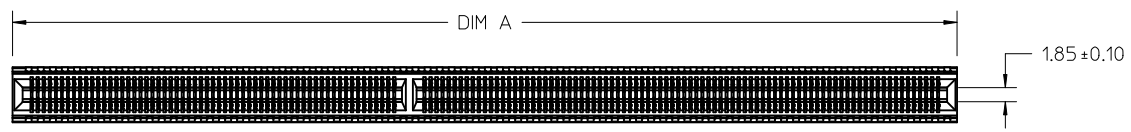
Tel: +86-755-8981 8866 Fax: +86-755-8427 6832

Email & Skype: info@chipsmall.com Web: www.chipsmall.com

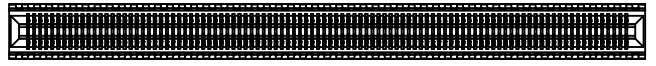
Address: A1208, Overseas Decoration Building, #122 Zhenhua RD., Futian, Shenzhen, China



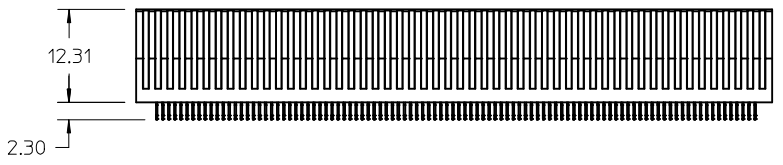
PART NUMBER	VERSION	BAY 1/BAY 2	TOTAL CIRCUITS	DIM A	SALES DRAWING (SEE NOTE 8)
170673-2278	2 BAY	146/132	278	118.63	SD-170673-2278
170673-1200	1 BAY	200	200	84.20	SD-170673-1200
170673-2108	2 BAY	86/22	108	50.63	SD-170673-2108
170673-2080	2 BAY	52/28	80	39.43	SD-170673-2080
170673-1046	1 BAY	46	46	22.60	SD-170673-1046



2 BAY EDGELINE

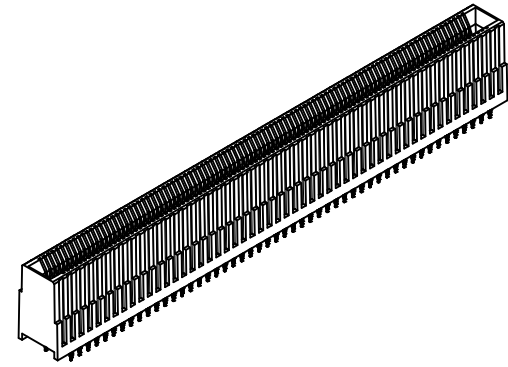
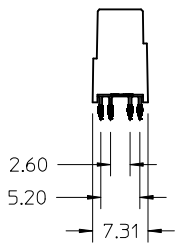


1 BAY EDGELINE



LAST CIRCUIT

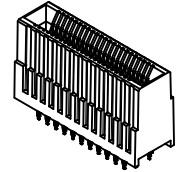
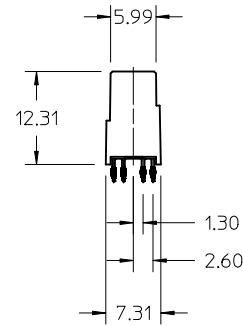
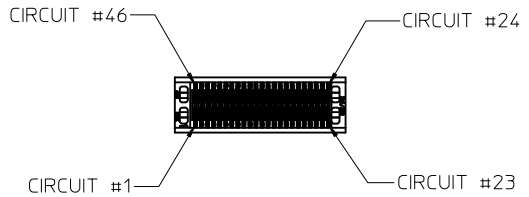
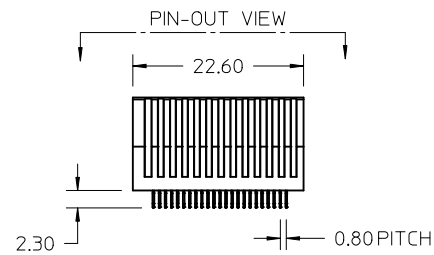
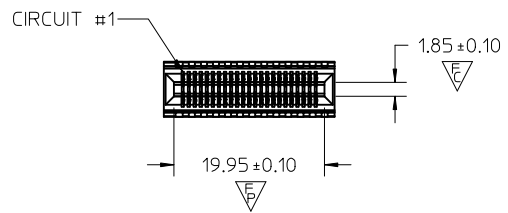
FIRST CIRCUIT



NOTES:

- MATERIAL:
HOUSING - GLASS FILLED THERMOPLASTIC, 94-V0, BLACK
TERMINALS - COPPER ALLOY
- FINISH:
CONTACT AREA: HARD GOLD -0.76μm MIN OVER 3.80μ NICKEL
COMPLIANT AREA: TIN - 0.76/1.52μm OVER NICKEL
- REFER TO PS-75594-999 PRODUCT SPECIFICATION FOR ALL ELECTRICAL, MECHANICAL AND ENVIROMENTAL SPECIFICATIONS.
- PROCESSING: PRESSFIT TO PC BOARD.
- MATING PC BOARD THICKNESS = 1.60±0.16MM OVER CONTACT PADS.
- PRODUCT IS ELV AND RoHS COMPLIANT. LEVEL OF COMPLIANCE: 6/6
ALL BANNED SUBSTANCES ARE REMOVED:
Pb (LEAD)
HEXAVALENT CHROMIUM (CrVI)
CADMIUM
MERCURY
POLYBRMINATED BIPHENYL (PBB)
POLYBROMINATED DIPHENYL ETHER (PBDE)
- THIS PART CONFORMS TO CLASS B REQUIREMENTS OF COSMETIC SPEC PS-45499-002
- FOR EDGECARD AND MOUNTING PCB LAYOUT DETAIL SEE CORRESPONDING SALES DRAWING.

RELEASED REV A EC NO: UCP2011-2702 DRW: DROSCA 2011/03/07 CHKD: JCOMERCI 2011/03/28 APPR: JCOMERCI 2011/03/28	DESCRIPTION REV 0 0 0	QUALITY SYMBOLS	GENERAL TOLERANCES (UNLESS SPECIFIED)	DIMENSION STYLE MM ONLY	SCALE 2:1	DESIGN UNITS METRIC	THIRD ANGLE PROJECTION																											
			<table border="1"> <thead> <tr> <th></th> <th>mm</th> <th>INCH</th> </tr> </thead> <tbody> <tr> <td>4 PLACES</td> <td>± ---</td> <td>± ---</td> </tr> <tr> <td>3 PLACES</td> <td>± ---</td> <td>± ---</td> </tr> <tr> <td>2 PLACES</td> <td>± ---</td> <td>± ---</td> </tr> <tr> <td>1 PLACE</td> <td>± ---</td> <td>± ---</td> </tr> </tbody> </table>		mm	INCH	4 PLACES	± ---	± ---	3 PLACES	± ---	± ---	2 PLACES	± ---	± ---	1 PLACE	± ---	± ---	<table border="1"> <thead> <tr> <th>DRAWN BY</th> <th>DATE</th> </tr> </thead> <tbody> <tr> <td>DROSCA</td> <td>2010/06/22</td> </tr> <tr> <th>CHECKED BY</th> <th>DATE</th> </tr> <tr> <td>JCOMERCI</td> <td>2010/06/22</td> </tr> <tr> <th>APPROVED BY</th> <th>DATE</th> </tr> <tr> <td>JCOMERCI</td> <td>2010/10/25</td> </tr> </tbody> </table>	DRAWN BY	DATE	DROSCA	2010/06/22	CHECKED BY	DATE	JCOMERCI	2010/06/22	APPROVED BY	DATE	JCOMERCI	2010/10/25	EDGELINE 12.5GB 0.062*PCB 0.8MM PITCH		
			mm	INCH																														
4 PLACES	± ---	± ---																																
3 PLACES	± ---	± ---																																
2 PLACES	± ---	± ---																																
1 PLACE	± ---	± ---																																
DRAWN BY	DATE																																	
DROSCA	2010/06/22																																	
CHECKED BY	DATE																																	
JCOMERCI	2010/06/22																																	
APPROVED BY	DATE																																	
JCOMERCI	2010/10/25																																	
DRAFT WHERE APPLICABLE MUST REMAIN WITHIN DIMENSIONS		MATERIAL NO. SEE TABLE	DOCUMENT NO. SD-170673-0001	SHEET NO. 1 OF 1																														

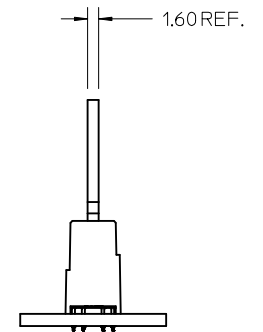
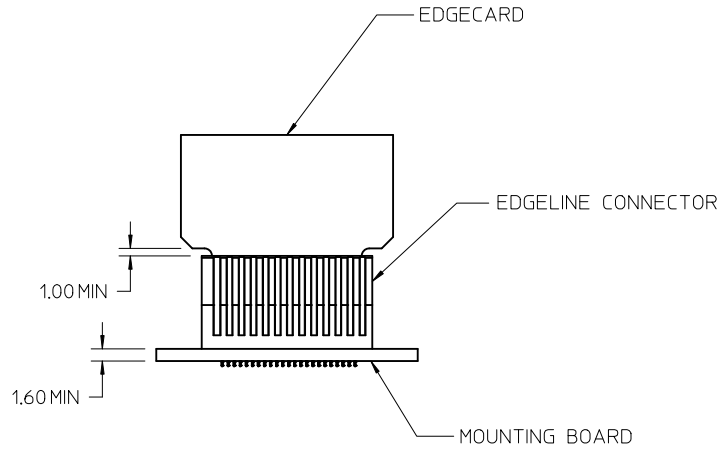


NOTES:

- MATERIAL:
HOUSING - GLASS FILLED THERMOPLASTIC, 94-V0, BLACK
TERMINALS - COPPER ALLOY
- FINISH:
CONTACT AREA: HARD GOLD -0.76µm MIN OVER 3.80µ NICKEL
COMPLIANT AREA: TIN - 0.76/1.52µm OVER NICKEL
- REFER TO PS-75594-999 PRODUCT SPECIFICATION FOR ALL ELECTRICAL, MECHANICAL AND ENVIROMENTAL SPECIFICATIONS.
- REFER TO PK-76693-900 FOR ALL PACKAGING SPECIFICATIONS.
- PROCESSING: PRESSFIT TO PC BOARD.
- MATING PC BOARD THICKNESS = 1.60±0.16MM OVER CONTACT PADS.
- PRODUCT IS ELV AND RoHS COMPLIANT. LEVEL OF COMPLIANCE: 6/6
ALL BANNED SUBSTANCES ARE REMOVED:
Pb (LEAD)
HEXAVALENT CHROMIUM (CrVI)
CADMIUM
MERCURY
POLYBRMINATED BIPHENYL (PBB)
POLYBROMINATED DIPHENYL ETHER (PBDE)
- THIS PART CONFORMS TO CLASS B REQUIREMENTS OF COSMETIC SPEC PS-45499-002

INITIAL RELEASE EC NO: UCP2011-2702 2011/03/18 DRW: DROSCA CHKD: JCOMERCI APPR: JCOMERCI 2011/03/28 2011/03/28	QUALITY SYMBOLS ▽ = 0 ▽ = 1 ▽ = 1	GENERAL TOLERANCES (UNLESS SPECIFIED)		DIMENSION STYLE MM ONLY		SCALE 2:1	DESIGN UNITS METRIC	THIRD ANGLE PROJECTION		
		4 PLACES ± 0.15	± 0.25	mm	INCH	DRAWN BY DROSCA	DATE 2011/03/18	TITLE EDGELINE 12.5GB 46CKTS 0.062*PCB 0.8MM PITCH		
		3 PLACES ± 0.15	± 0.25			CHECKED BY JCOMERCI	DATE 2011/03/28			
		2 PLACES ± 0.15	± 0.25			APPROVED BY JCOMERCI	DATE 2011/03/28	DOCUMENT NO. SD-170673-1046		
1 PLACE ± 0.25	± 0.25			MATERIAL NO. 1706731046		SHEET NO. 1 OF 4				
DRAFT WHERE APPLICABLE MUST REMAIN WITHIN DIMENSIONS		ANGULAR ±1/2°		SIZE C		THIS DRAWING CONTAINS INFORMATION THAT IS PROPRIETARY TO MOLEX INCORPORATED AND SHOULD NOT BE USED WITHOUT WRITTEN PERMISSION				

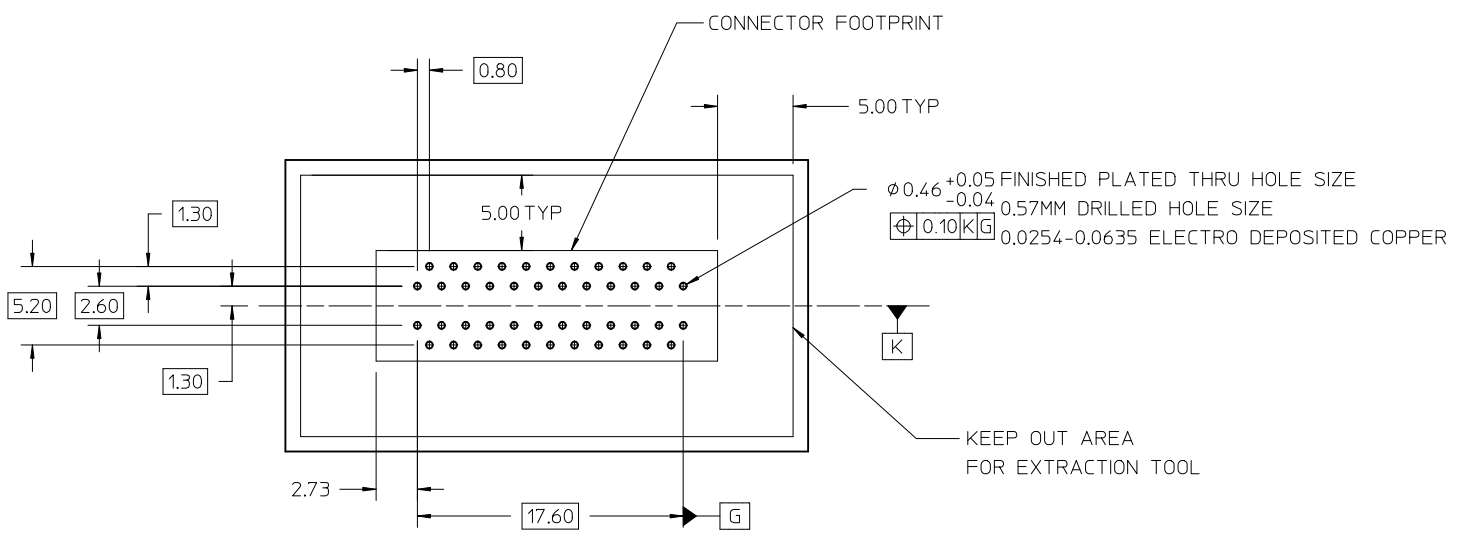
EDGELINE CONNECTOR BOARD MOUNTING



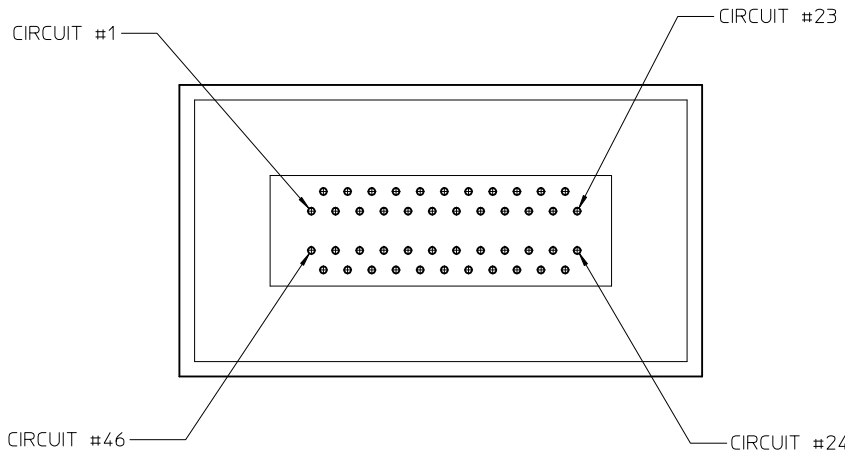
SEE SHEET 1 EC NO: UCP2011-z702 DRWN: DROSCA 2011/03/18 CHKD: JCOMERCI 2011/03/28 APPR: JCOMERCI 2011/03/28	QUALITY SYMBOLS	GENERAL TOLERANCES (UNLESS SPECIFIED) <table border="1" style="width: 100%; border-collapse: collapse;"> <tr> <th></th> <th>mm</th> <th>INCH</th> </tr> <tr> <td>4 PLACES</td> <td>± .005</td> <td>± .0002</td> </tr> <tr> <td>3 PLACES</td> <td>± .005</td> <td>± .0002</td> </tr> <tr> <td>2 PLACES</td> <td>± 0.15</td> <td>± .006</td> </tr> <tr> <td>1 PLACE</td> <td>± 0.25</td> <td>± .010</td> </tr> </table> ANGULAR ± 1/2°		mm	INCH	4 PLACES	± .005	± .0002	3 PLACES	± .005	± .0002	2 PLACES	± 0.15	± .006	1 PLACE	± 0.25	± .010	DIMENSION STYLE MM ONLY	SCALE 2:1	DESIGN UNITS METRIC	THIRD ANGLE PROJECTION
			mm	INCH																	
	4 PLACES		± .005	± .0002																	
	3 PLACES		± .005	± .0002																	
2 PLACES	± 0.15	± .006																			
1 PLACE	± 0.25	± .010																			
▽=0	▽=0	DRAWN BY DROSCA	DATE 2011/03/18	TITLE EDGELINE 12.5GB 46CKTS 0.062"PCB 0.8MM PITCH																	
▽=0	▽=0	CHECKED BY JCOMERCI	DATE 2011/03/28	MOLEX INCORPORATED																	
▽=0	▽=0	APPROVED BY JCOMERCI	DATE 2011/03/28	MATERIAL NO. SEE SHEET 1	DOCUMENT NO. SD-170673-1046	SHEET NO. 2 OF 4															

DRAFT WHERE APPLICABLE
MUST REMAIN
WITHIN DIMENSIONS

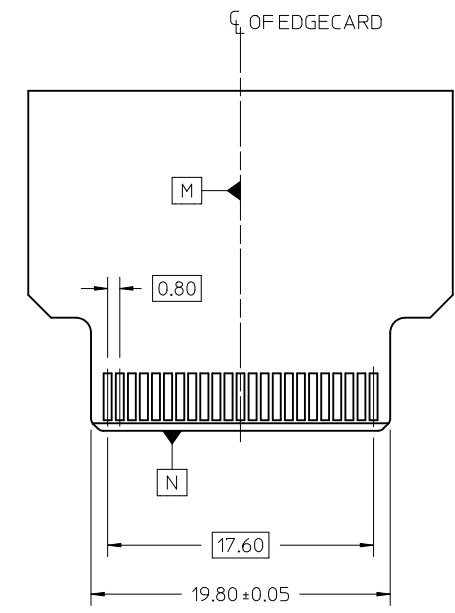
THIS DRAWING CONTAINS INFORMATION THAT IS PROPRIETARY TO MOLEX INCORPORATED AND SHOULD NOT BE USED WITHOUT WRITTEN PERMISSION



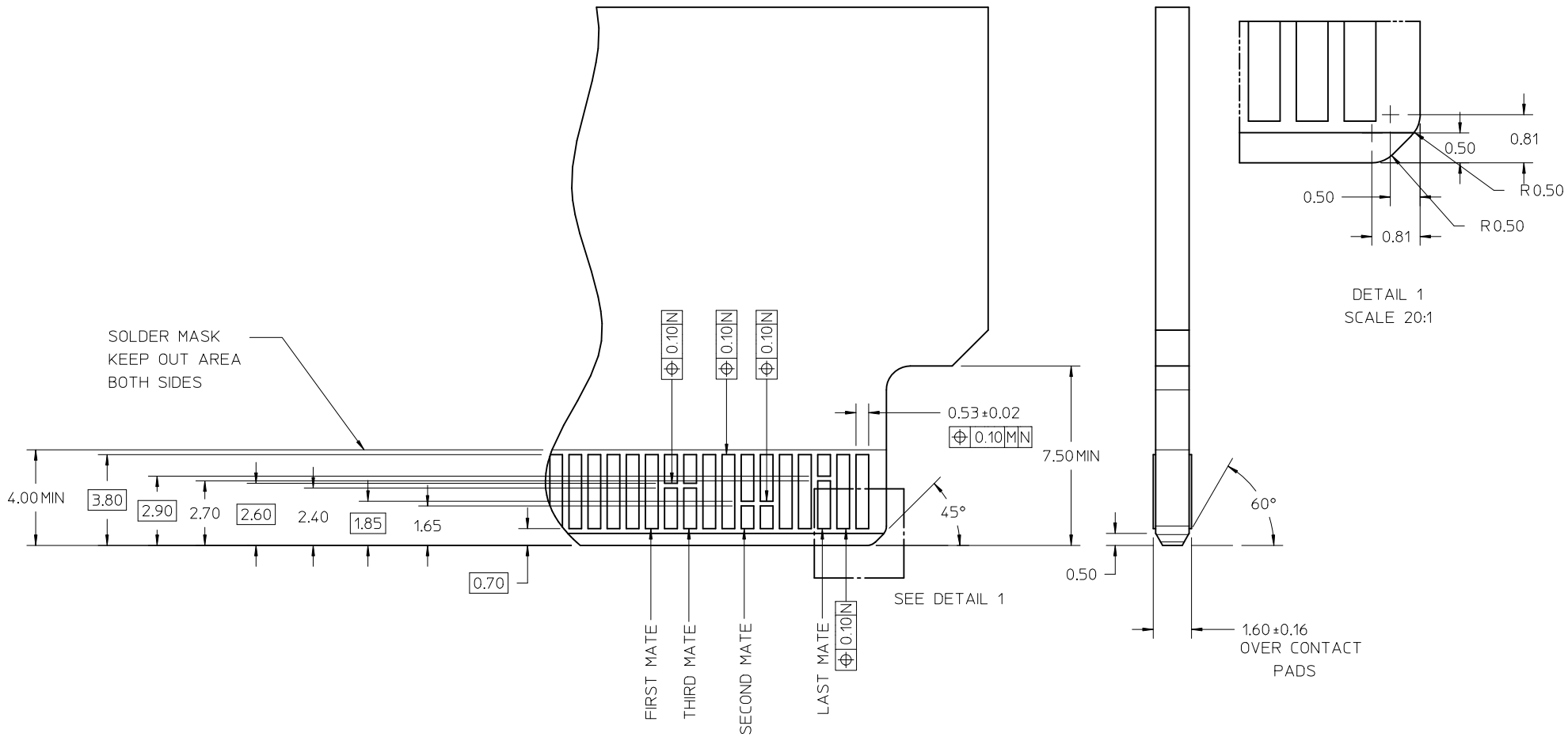
PCB LAYOUT - COMPONENT VIEW



PIN-OUT - COMPONENT VIEW



SEE SHEET 1 EC NO: UCP2011-2702 DRWN: DROSCA 2011/03/18 CHKD: JCOMERC I 2011/03/28 APPR: JCOMERC I 2011/03/28	QUALITY SYMBOLS ▽=0 ▽=0 ▽=0	GENERAL TOLERANCES (UNLESS SPECIFIED)		DIMENSION STYLE MM ONLY	SCALE 4:1	DESIGN UNITS METRIC	THIRD ANGLE PROJECTION
		4 PLACES ± --- ± ---	DRAWN BY DROSCA	DATE 2011/03/18	TITLE EDGELINE 12.5GB 46CKTS 0.062*PCB 0.8MM PITCH		
		3 PLACES ± --- ± ---	CHECKED BY JCOMERC I	DATE 2011/03/28	MOLEX INCORPORATED		
		2 PLACES ± 0.15 ± --- 1 PLACE ± 0.25 ± ---	APPROVED BY JCOMERC I	DATE 2011/03/28	MATERIAL NO. SEE SHEET 1	DOCUMENT NO. SD-170673-1046	SHEET NO. 3 OF 4
ANGULAR ± 1/2°		DRAFT WHERE APPLICABLE MUST REMAIN WITHIN DIMENSIONS		THIS DRAWING CONTAINS INFORMATION THAT IS PROPRIETARY TO MOLEX INCORPORATED AND SHOULD NOT BE USED WITHOUT WRITTEN PERMISSION			



NOTE:

THESE ARE GENERIC DETAILS THAT DESCRIBES THE CONFIGURATION OF VARIOUS PCB DESIGN ELEMENTS. THE CUSTOMER MUST DETERMINE WHERE AND WHEN TO USE EACH ELEMENT TO ACCOMODATE THEIR SPECIFIC APPLICATION.

SEE SHEET 1 EC NO: UCP2011-2702 DRWN: DROSCA 2011/03/18 CHKD: JCOMERCI 2011/03/28 APPR: JCOMERCI 2011/03/28	QUALITY SYMBOLS ▽=0 ▽=0	GENERAL TOLERANCES (UNLESS SPECIFIED)		DIMENSION STYLE MM ONLY		SCALE 8:1	DESIGN UNITS METRIC	THIRD ANGLE PROJECTION	
		4 PLACES ± --- ± ---	mm	INCH	DRAWN BY DROSCA	DATE 2011/03/18	TITLE EDGELINE 12.5GB 46CKTS 0.062"PCB 0.8MM PITCH		
		3 PLACES ± --- ± ---			CHECKED BY JCOMERCI	DATE 2011/03/28	MOLEX INCORPORATED DOCUMENT NO. SD-170673-1046		
		2 PLACES ± 0.15 ± ---			APPROVED BY JCOMERCI	DATE 2011/03/28			
1 PLACE ± 0.25 ± ---			ANGULAR ±1/2°		DRAFT WHERE APPLICABLE MUST REMAIN WITHIN DIMENSIONS SEE SHEET 1 THIS DRAWING CONTAINS INFORMATION THAT IS PROPRIETARY TO MOLEX INCORPORATED AND SHOULD NOT BE USED WITHOUT WRITTEN PERMISSION				