



Chipsmall Limited consists of a professional team with an average of over 10 year of expertise in the distribution of electronic components. Based in Hongkong, we have already established firm and mutual-benefit business relationships with customers from,Europe,America and south Asia,supplying obsolete and hard-to-find components to meet their specific needs.

With the principle of “Quality Parts,Customers Priority,Honest Operation,and Considerate Service”,our business mainly focus on the distribution of electronic components. Line cards we deal with include Microchip,ALPS,ROHM,Xilinx,Pulse,ON,Everlight and Freescale. Main products comprise IC,Modules,Potentiometer,IC Socket,Relay,Connector.Our parts cover such applications as commercial,industrial, and automotives areas.

We are looking forward to setting up business relationship with you and hope to provide you with the best service and solution. Let us make a better world for our industry!



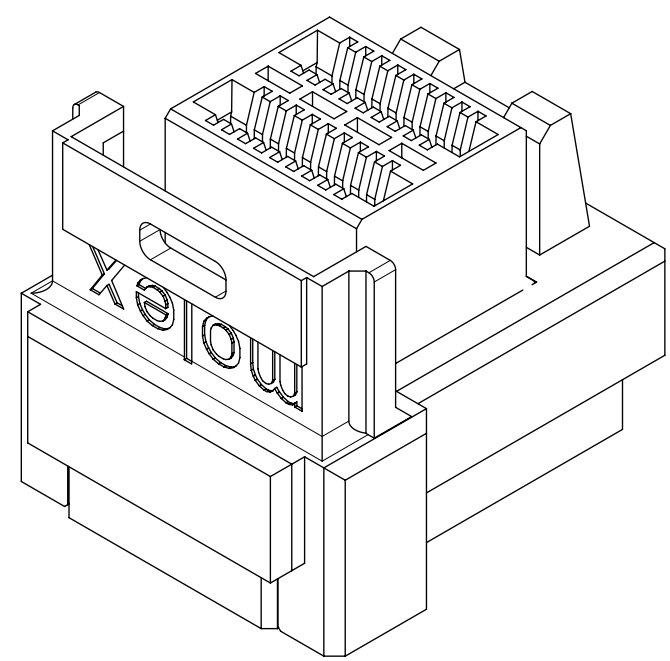
Contact us

Tel: +86-755-8981 8866 Fax: +86-755-8427 6832

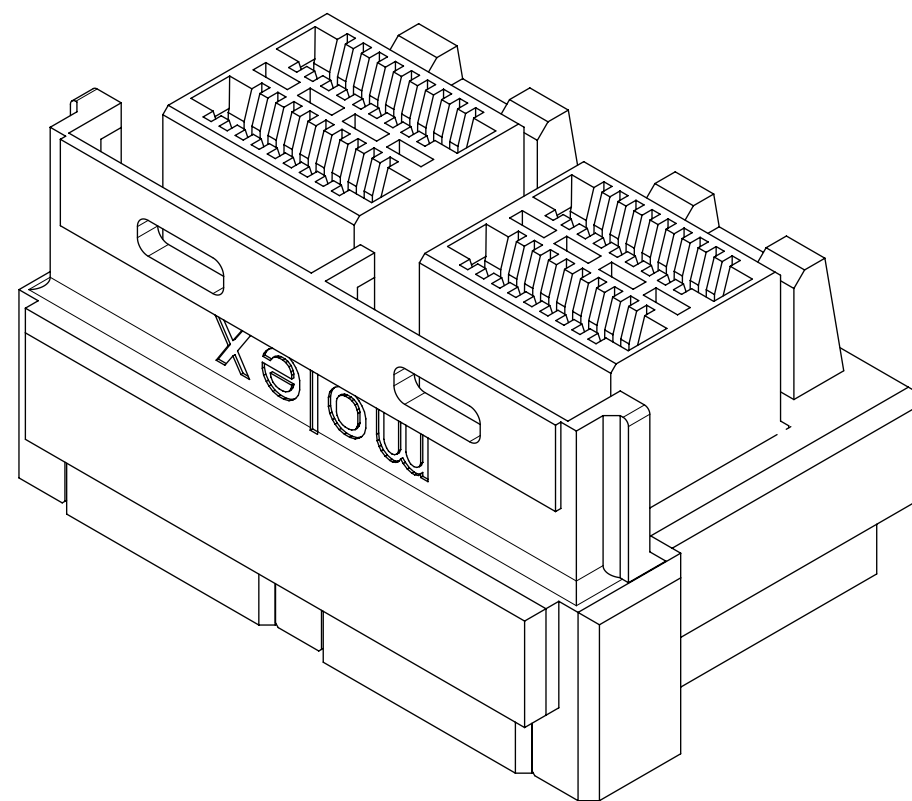
Email & Skype: info@chipsmall.com Web: www.chipsmall.com

Address: A1208, Overseas Decoration Building, #122 Zhenhua RD., Futian, Shenzhen, China

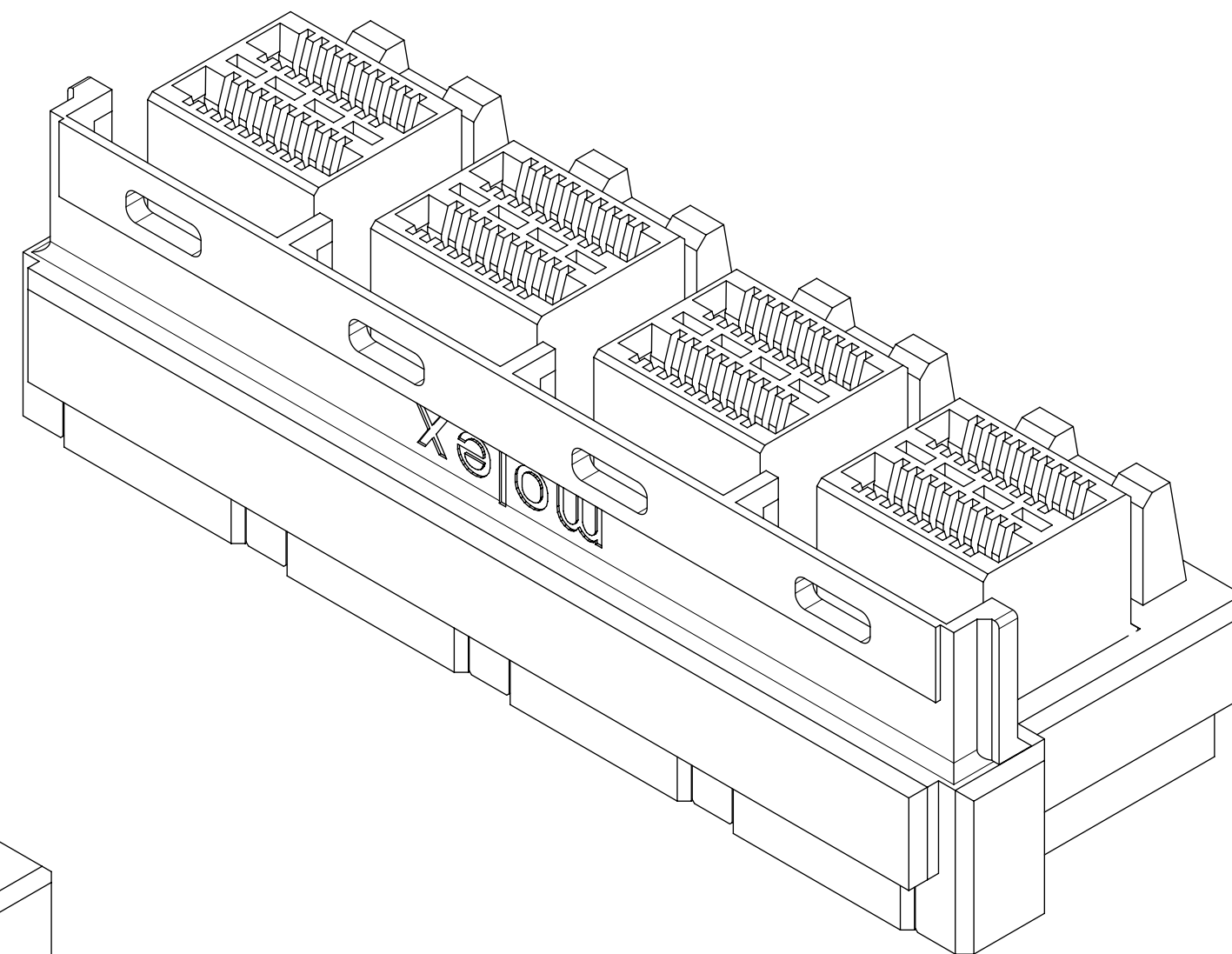




1 X 1



1 X 2



1 X 4

NOTES:

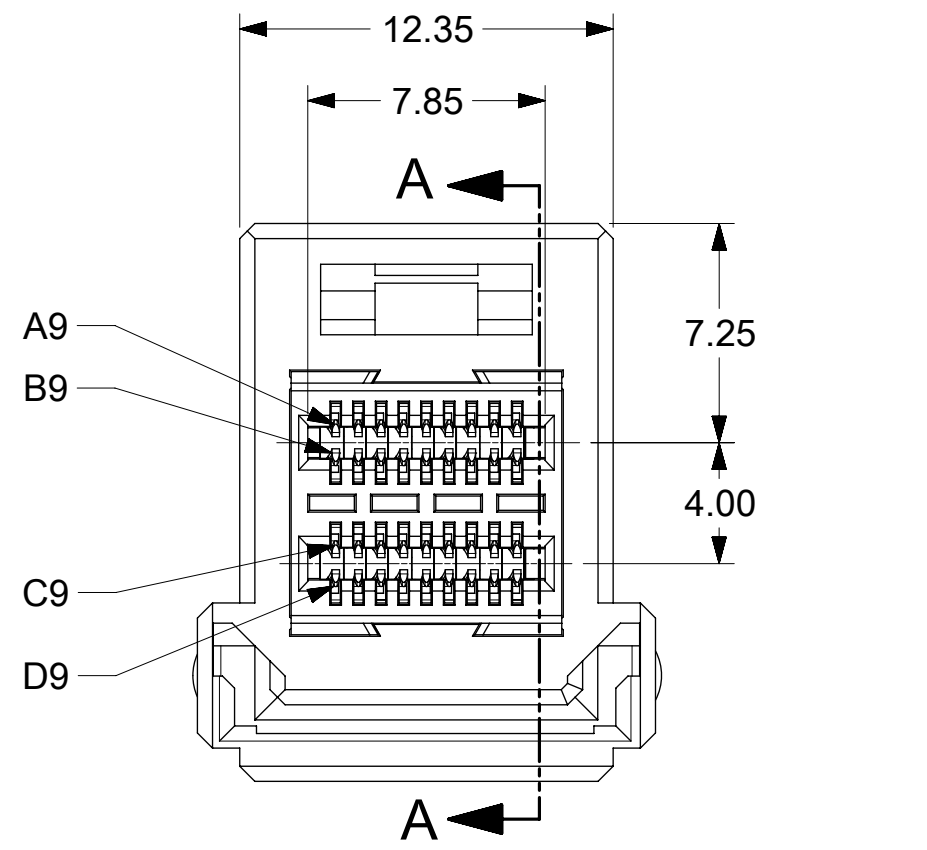
1. MATERIALS:
CONNECTOR HOUSING: HIGH TEMPERATURE THERMOPLASTIC
GLASS FILLED, UL 94V-0
TERMINALS: COPPER ALLOY
2. FINISHES:
CONTACT AREA: 0.76 μM MIN GOLD OVER 3.81 μM MIN NICKEL
COMPLIANT AREA: 0.76 μM MIN TIN (LEAD FREE)
OVER 1.27 μM MIN NICKEL
3. PRODUCT SPECIFICATION: PS-170729-001
4. PACKAGING SPECIFICATION: PK-76867-002
5. MATES WITH: MOLEX CABLE SERIES 111074 & 111076
6. MOUNTING HARDWARE NOT SUPPLIED.
REFER TO APPLICATION SPECIFICATION AS-170729-0001.
7. PLUG MODULE PCB LAYOUT REFER TO SD-76866-9900

CONFIGURATION	MATERIAL NUMBER	TERMINAL OPTION	DIM 'A'
1X1	170729-0001	SHORT PIN	1.37
1X2	170729-0002		
1X4	170729-0004		
1X1	170729-1001	LONG PIN	1.62
1X2	170729-1002		
1X4	170729-1004		

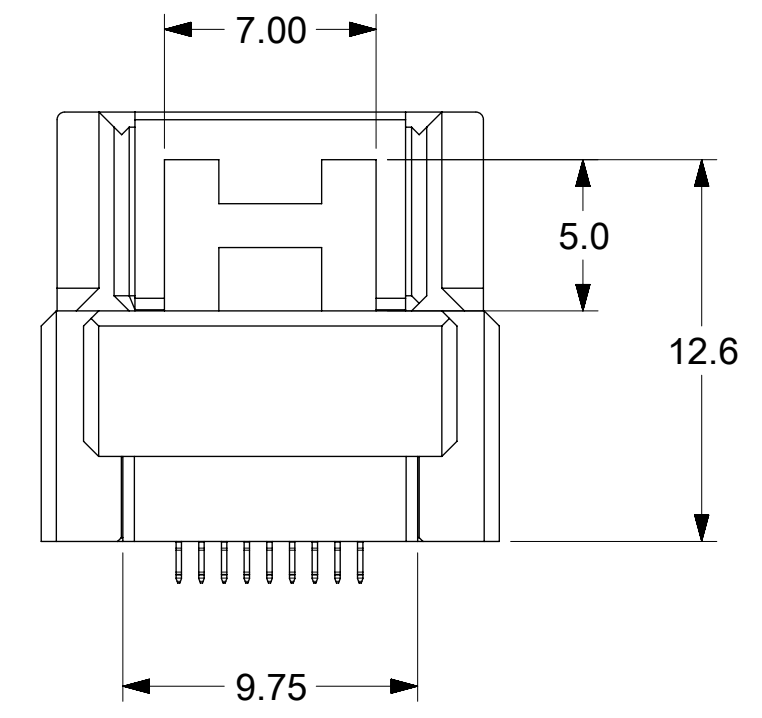
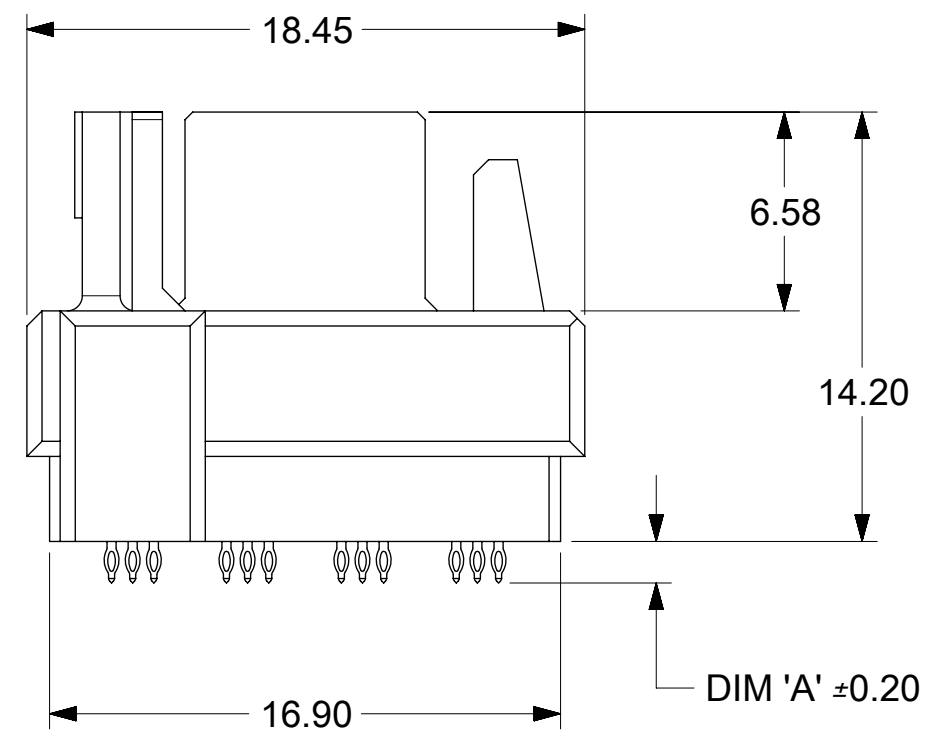
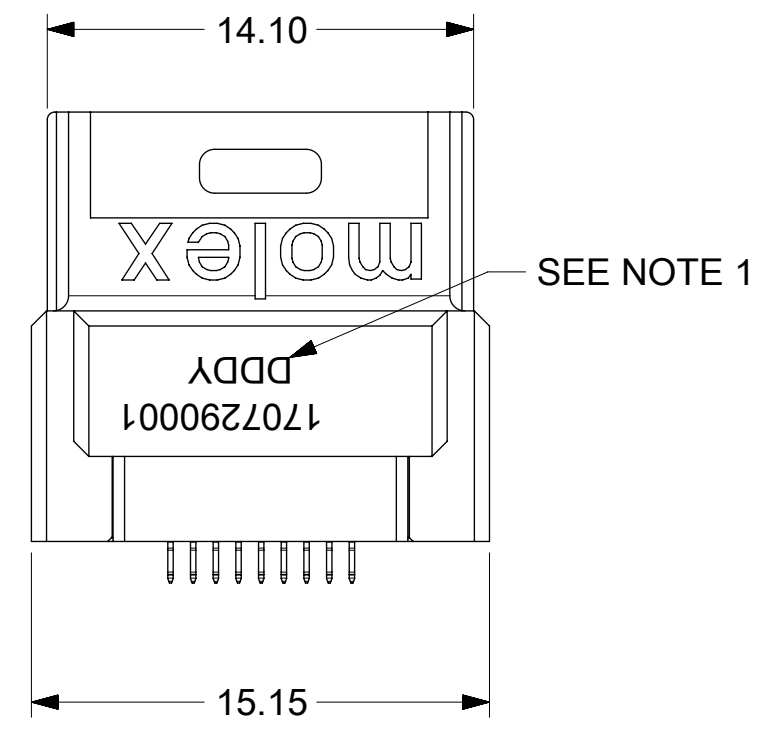
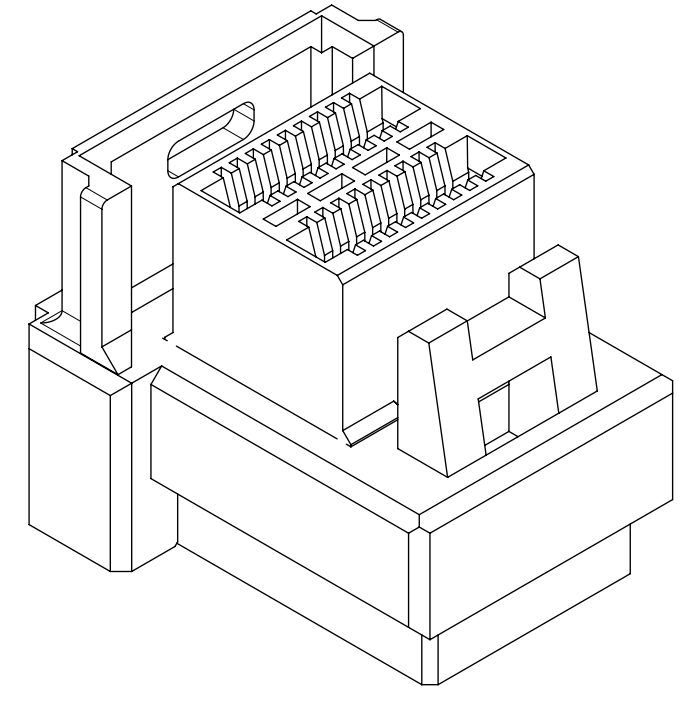
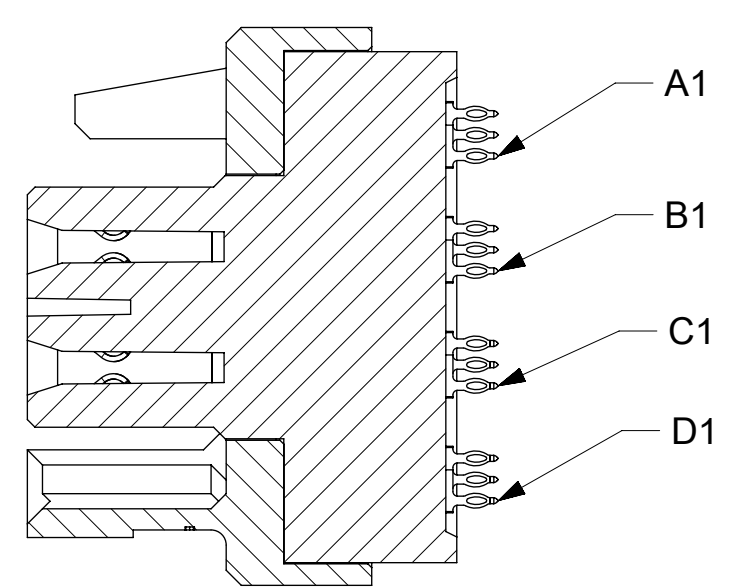
THIS DRAWING CONTAINS INFORMATION THAT IS PROPRIETARY TO MOLEX ELECTRONIC TECHNOLOGIES, LLC AND SHOULD NOT BE USED WITHOUT WRITTEN PERMISSION

MIGRATED EC NO: 108895 DRWN: ABN CHKD: REV / APPR: SMILLER	2016/07/16	GENERAL TOLERANCES (UNLESS SPECIFIED)	DIMENSION UNITS	SCALE			
	2016/09/23		MM	4:1			
			ANGULAR TOL ± 2.0 °	DRWN BY		DATE	
			4 PLACES ±	KLANG		2015/01/05	
	3 PLACES ±	CHKD BY	DATE	IPASS VERTICAL ZHD INTERNAL ASSEMBLY 1X1, 1X2, 1X4			
	2 PLACES ± 0.13	TMCCLELL	2016/09/14	PRODUCT CUSTOMER DRAWING			
	1 PLACE ± 0.25	APPR BY	DATE	SERIES	MATERIAL NUMBER	CUSTOMER	
	0 PLACES ±	MBANAKIS	2015/01/07	170729	SEE CHART	GENERAL MARKET	
	DRAFT WHERE APPLICABLE MUST REMAIN WITHIN DIMENSIONS	DRAWING SIZE	THIRD ANGLE PROJECTION	DOCUMENT NUMBER			
A		C		SD-170729-0001	DOC TYPE	DOC PART	SHEET NUMBER
				PSD	000	1 OF 8	

RELEASE STATUS	RELEASE DATE
12	11



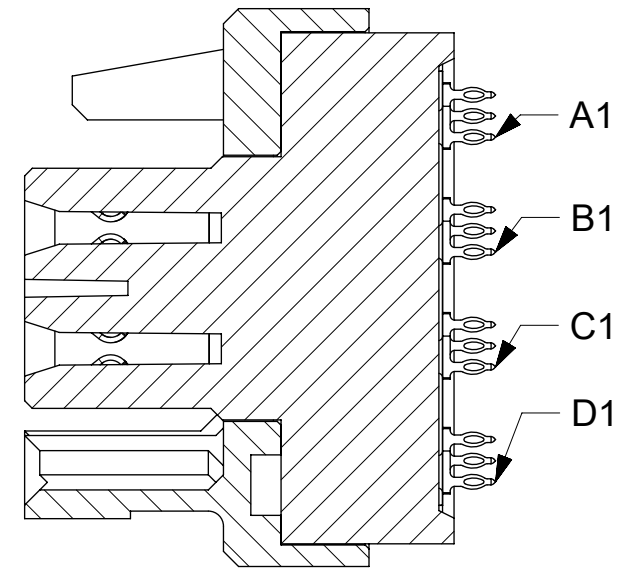
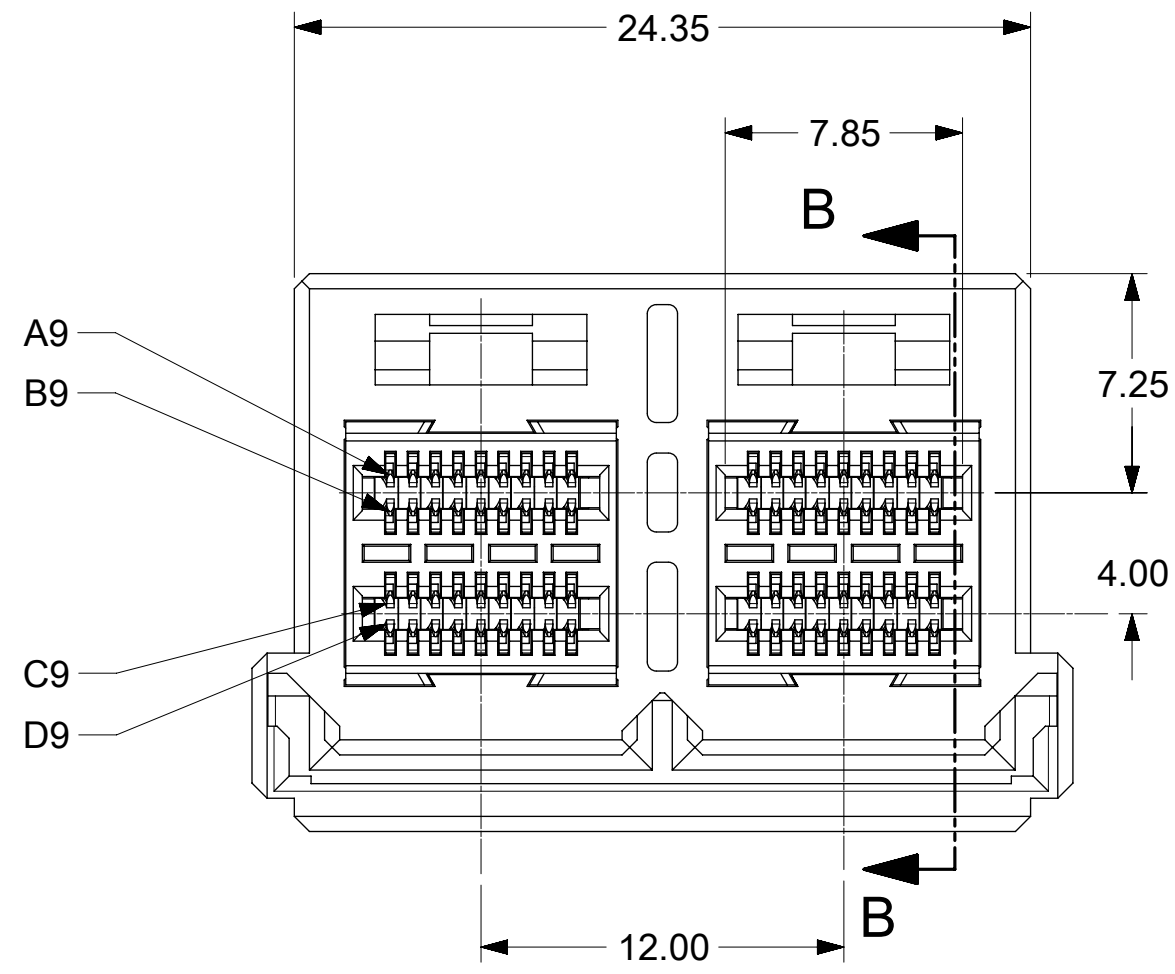
1X1 ASSEMBLY



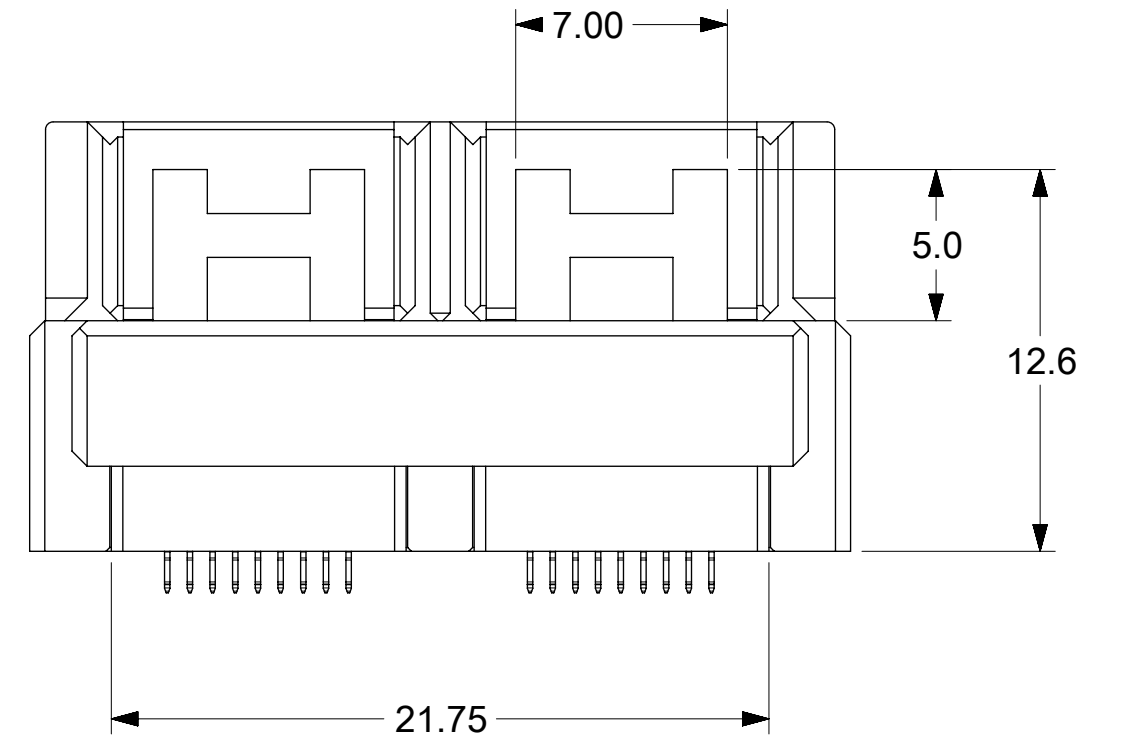
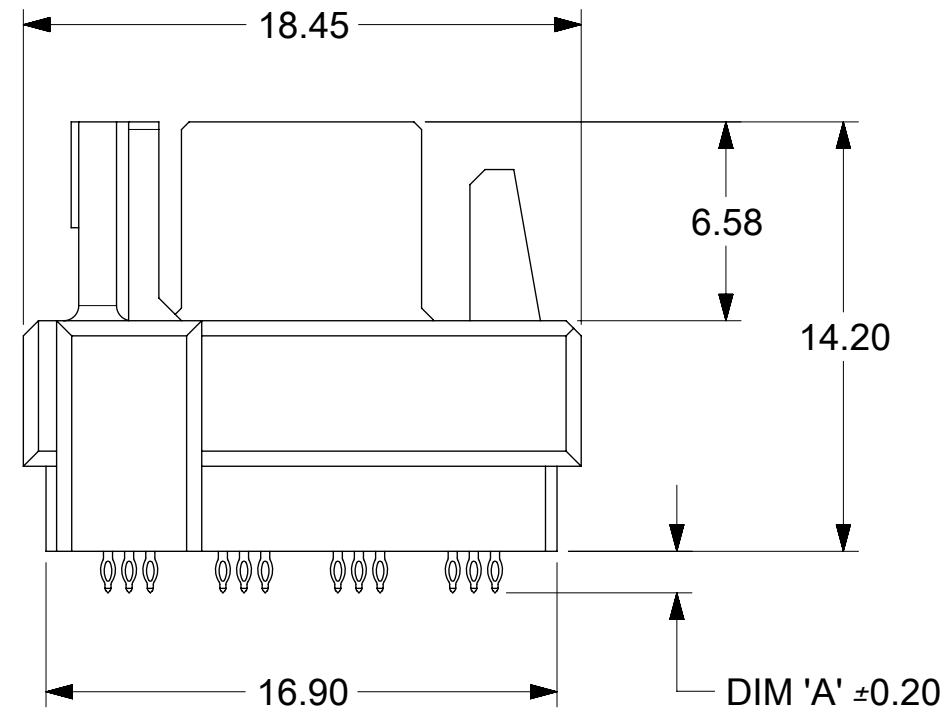
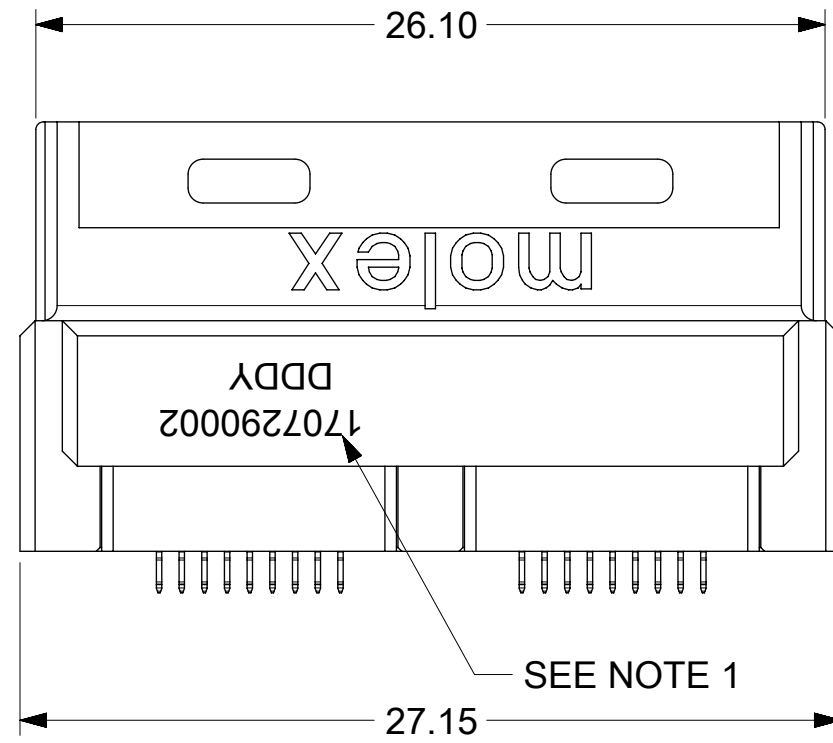
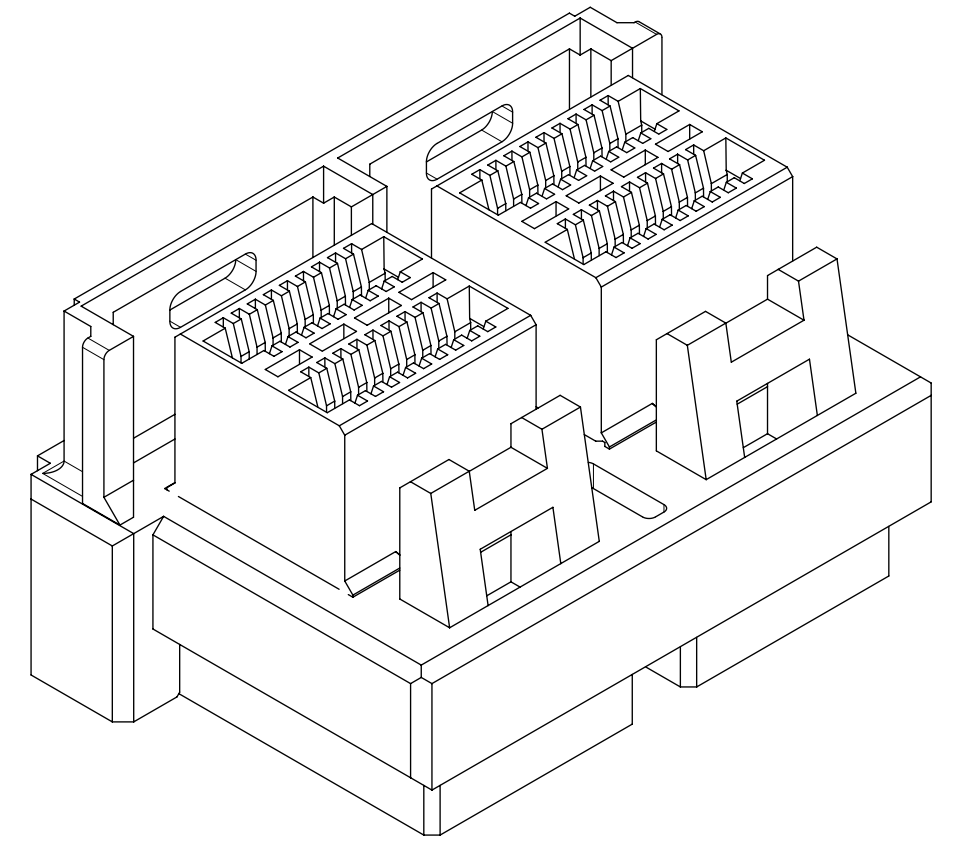
NOTES:
1. MANUFACTURED DATE CODE (JULIAN CALENDAR) & PART NUMBER.

THIS DRAWING CONTAINS INFORMATION THAT IS PROPRIETARY TO MOLEX ELECTRONIC TECHNOLOGIES, LLC AND SHOULD NOT BE USED WITHOUT WRITTEN PERMISSION												
MIGRATED EC NO: 108895 DRWN: ABN CHKD: REV / APPR: SMILLER	GENERAL TOLERANCES (UNLESS SPECIFIED)			DIMENSION UNITS	SCALE							
	ANGULAR TOL ± 2.0 °			MM	4:1							
	4 PLACES ±	DRWN BY		DATE		IPASS VERTICAL ZHD INTERNAL ASSEMBLY 1X1, 1X2, 1X4						
	3 PLACES ±	KLANG		2015/01/05								
	2 PLACES ± 0.13	CHKD BY		DATE		PRODUCT CUSTOMER DRAWING						
1 PLACE ± 0.25	TMCCLELL		2016/09/14									
0 PLACES ±	APPR BY		DATE		SERIES	MATERIAL NUMBER	CUSTOMER					
DRAFT WHERE APPLICABLE MUST REMAIN WITHIN DIMENSIONS			DRAWING SIZE	THIRD ANGLE PROJECTION		170729	SEE CHART	GENERAL MARKET				
A	C				DOCUMENT NUMBER			DOC TYPE	DOC PART	SHEET NUMBER		
				SD-170729-0001			PSD	000	2 OF 8			

1X2 ASSEMBLY



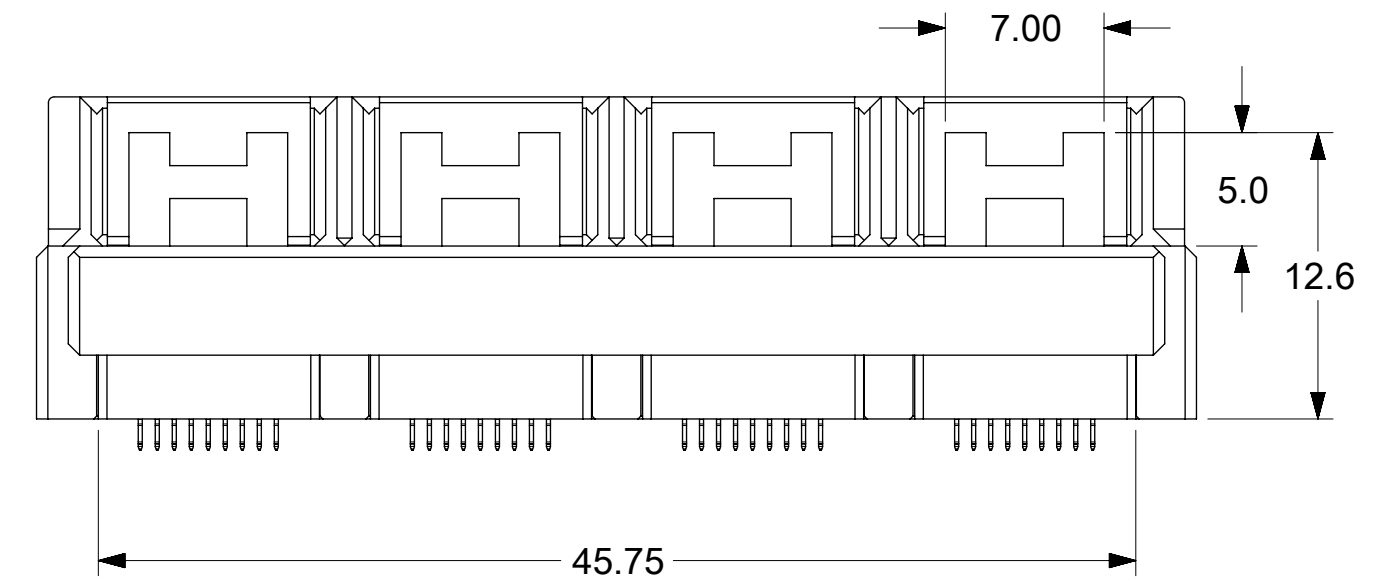
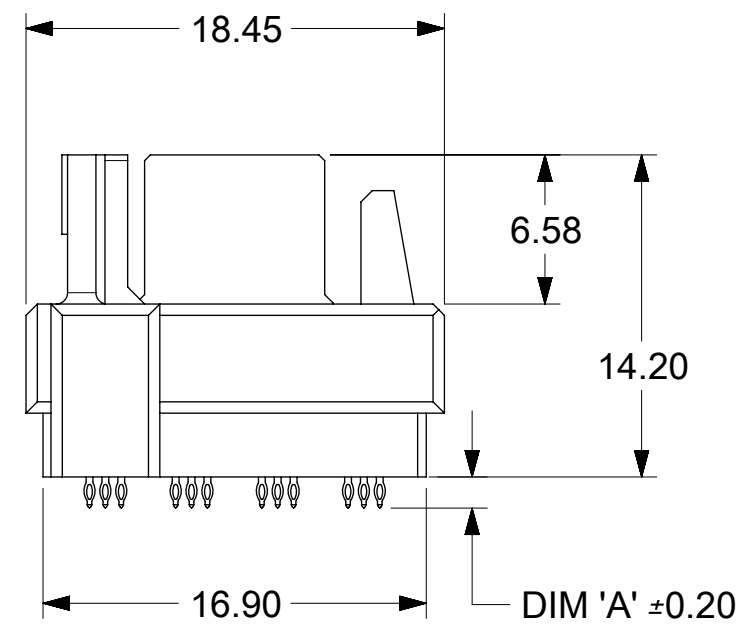
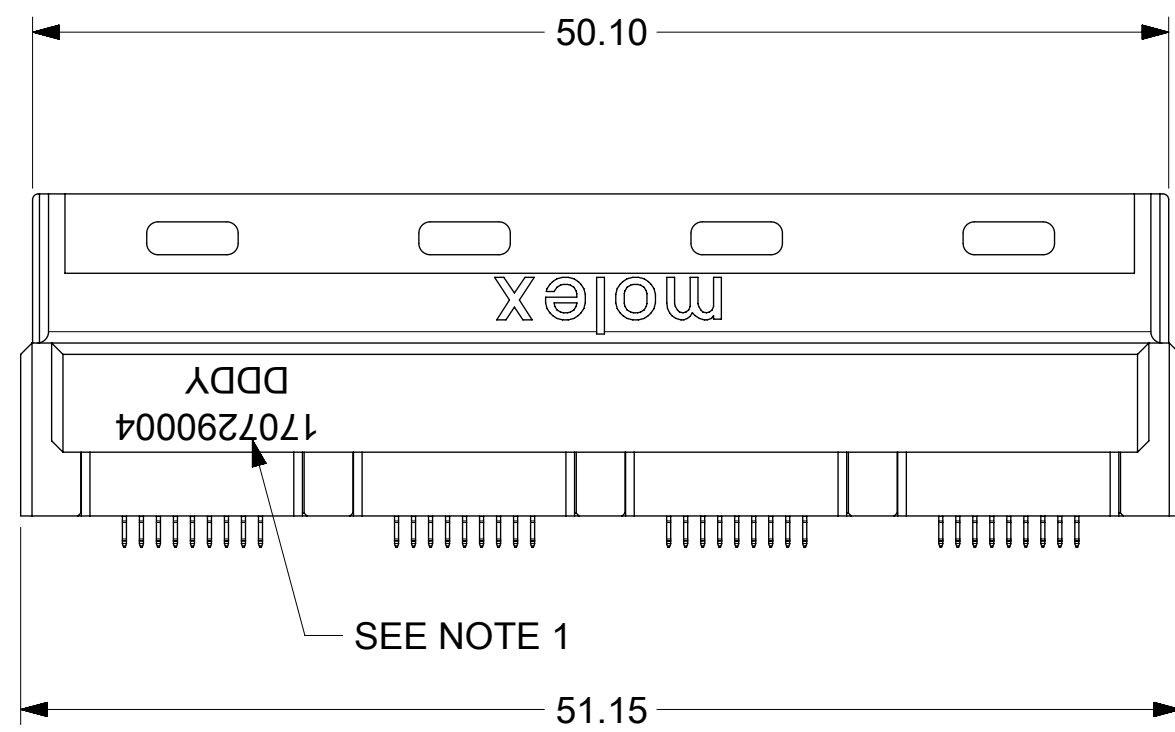
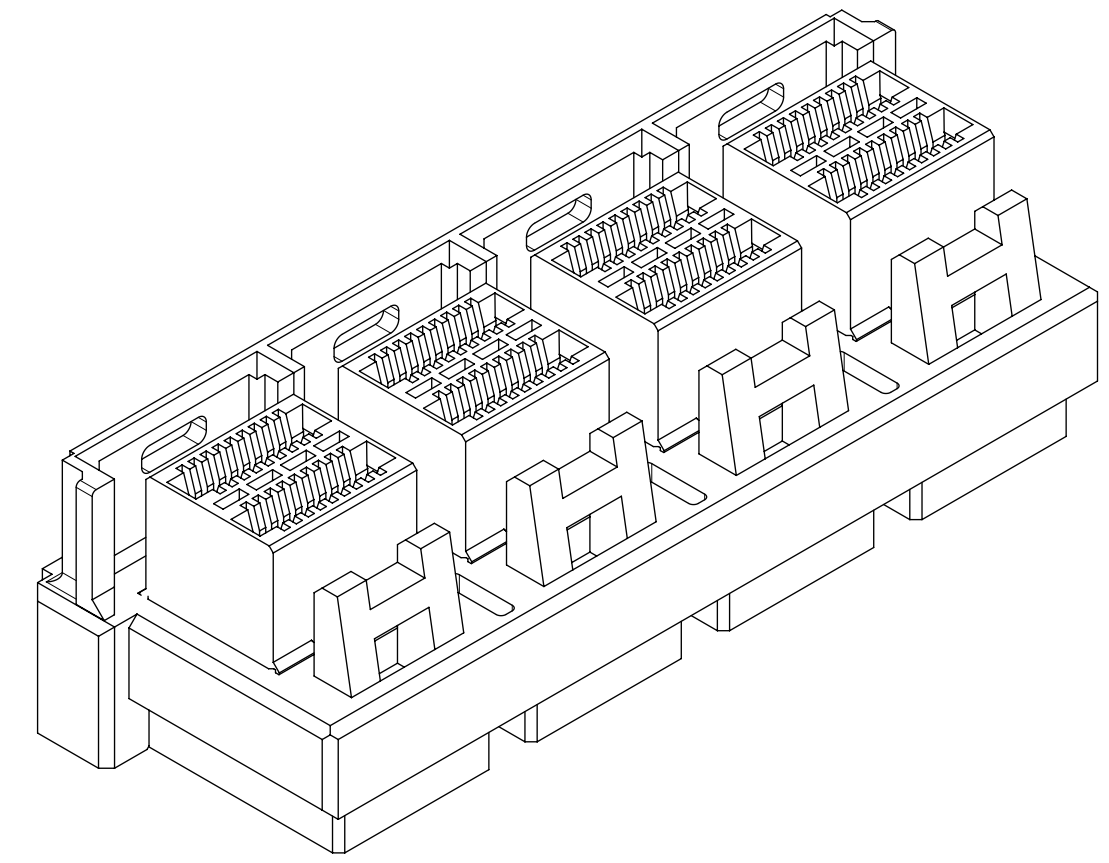
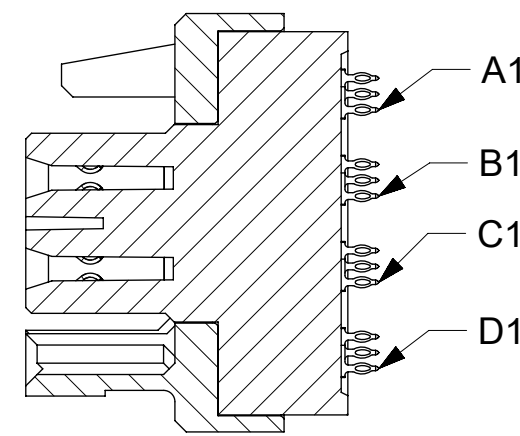
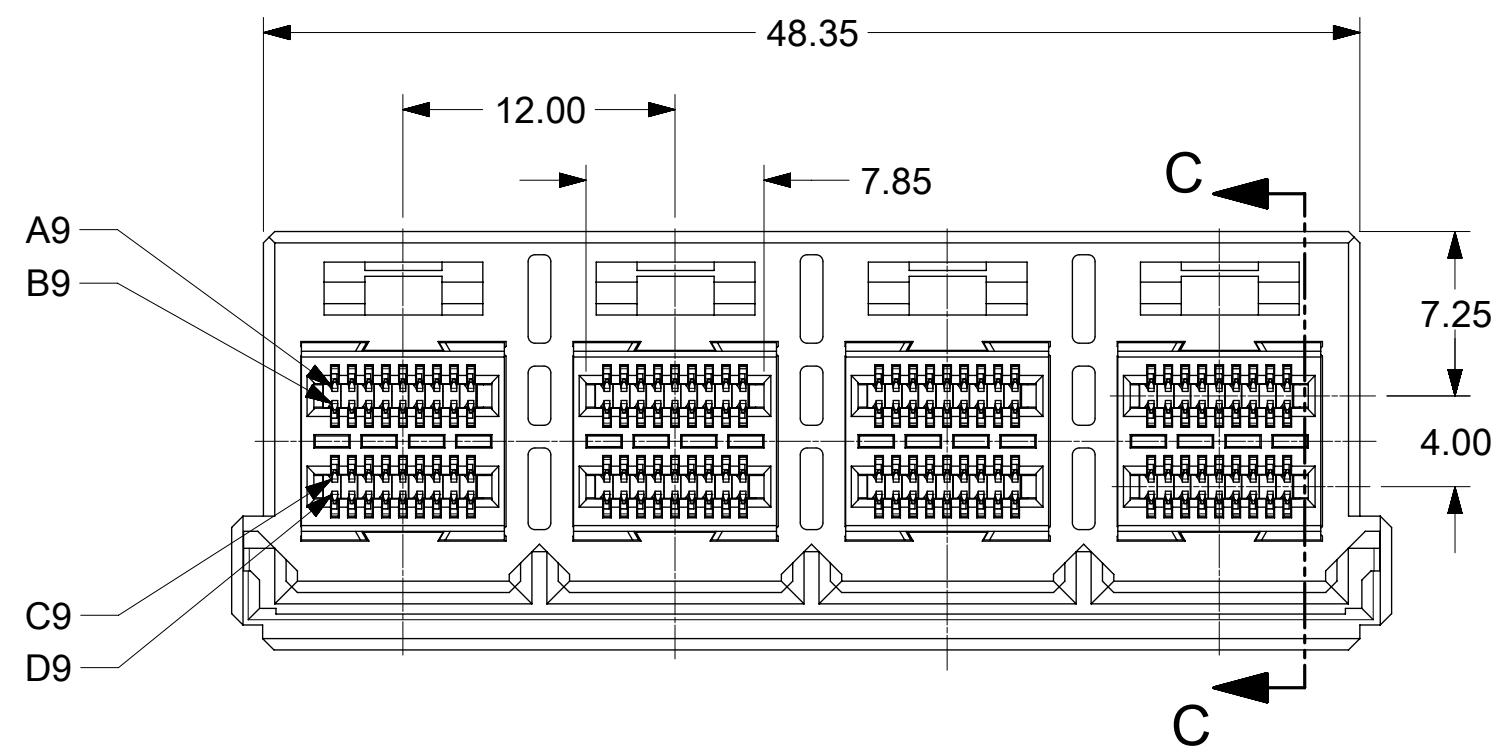
SECTION B-B



NOTES:
1. MANUFACTURED DATE CODE (JULIAN CALENDAR) & PART NUMBER.

THIS DRAWING CONTAINS INFORMATION THAT IS PROPRIETARY TO MOLEX ELECTRONIC TECHNOLOGIES, LLC AND SHOULD NOT BE USED WITHOUT WRITTEN PERMISSION														
MIGRATED EC NO: 108695 DRWN: ABN CHKD: REV / APPR: SMILLER	2016/07/16		2016/09/23		GENERAL TOLERANCES (UNLESS SPECIFIED)		DIMENSION UNITS	SCALE						
	4 PLACES ±		3 PLACES ±		ANGULAR TOL ± 2.0 °		MM	4:1						
	2 PLACES ± 0.13		1 PLACE ± 0.25		0 PLACES ±		DRWN BY	DATE	IPASS VERTICAL ZHD INTERNAL ASSEMBLY 1X1, 1X2, 1X4					
	DRIFT WHERE APPLICABLE MUST REMAIN WITHIN DIMENSIONS		C		THIRD ANGLE PROJECTION		KLANG	2015/01/05	PRODUCT CUSTOMER DRAWING					
	SERIES		MATERIAL NUMBER		CUSTOMER		CHKD BY	DATE	170729			SEE CHART	GENERAL MARKET	
	MBANAKIS		2015/01/07		APPR BY		DATE	DRAWING SIZE		SD-170729-0001			DOC TYPE	DOC PART
A		A		C		C		PSD		000		3 OF 8		

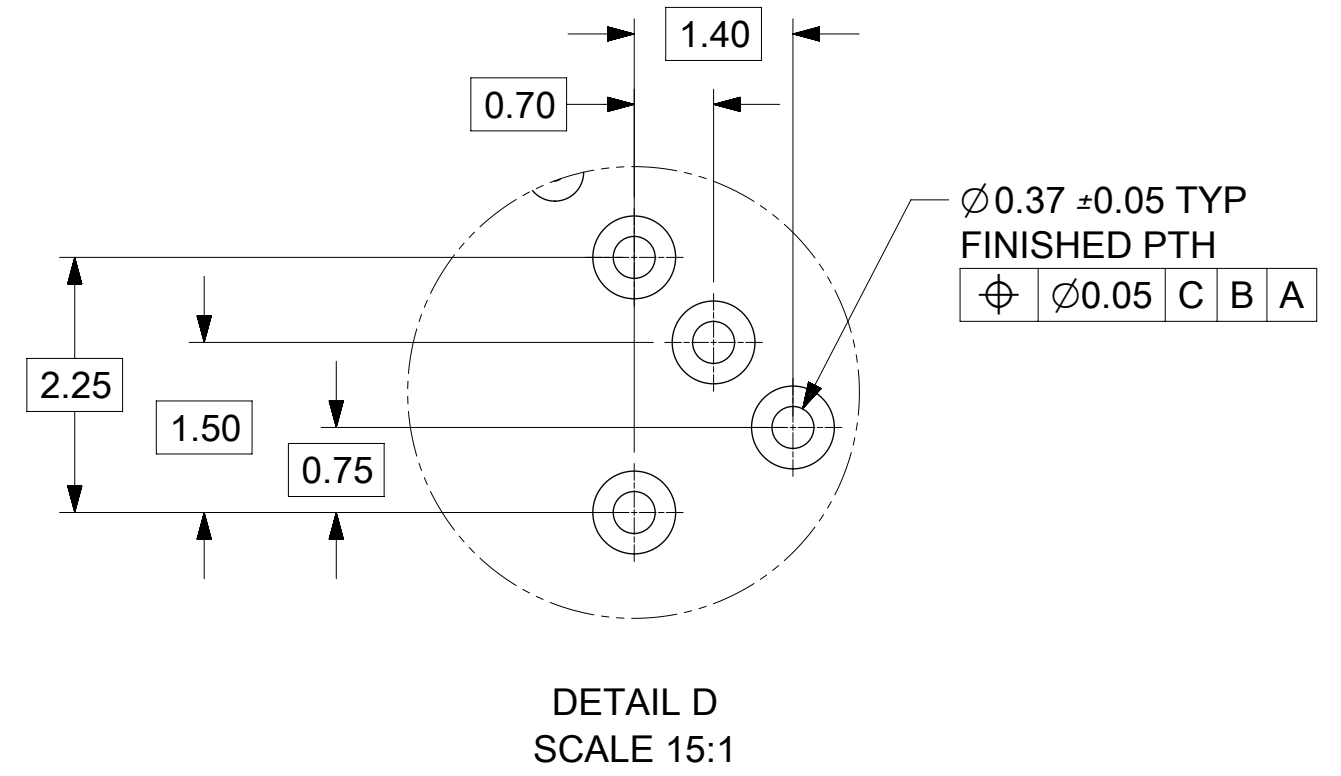
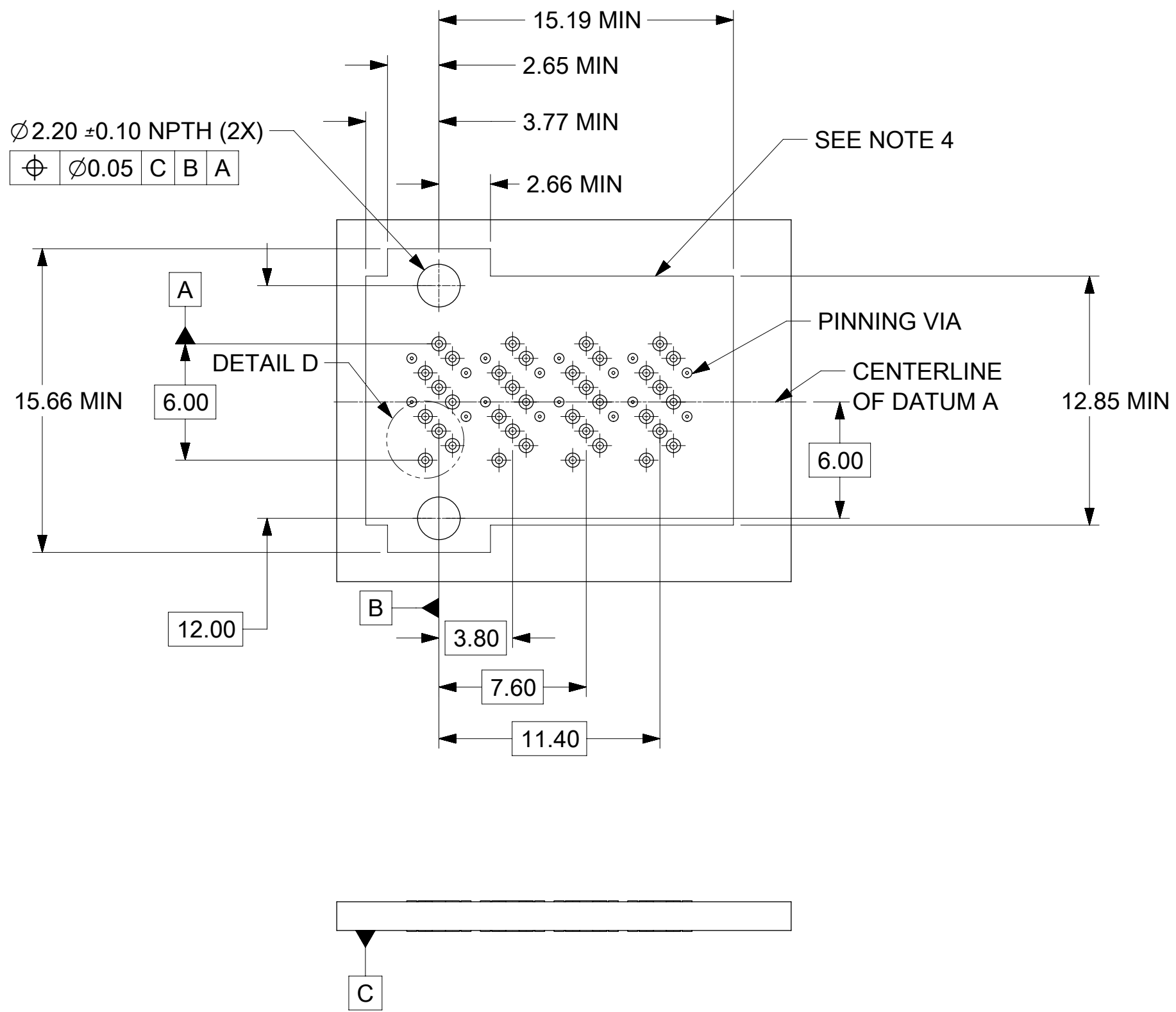
1X4 ASSEMBLY



NOTES:
1. MANUFACTURED DATE CODE (JULIAN CALENDAR) & PART NUMBER.

THIS DRAWING CONTAINS INFORMATION THAT IS PROPRIETARY TO MOLEX ELECTRONIC TECHNOLOGIES, LLC AND SHOULD NOT BE USED WITHOUT WRITTEN PERMISSION											
MIGRATED EC NO: 108895 DRWN: ABN CHKD: REV / APPR: SMILLER	GENERAL TOLERANCES (UNLESS SPECIFIED)		DIMENSION UNITS	SCALE							
	ANGULAR TOL $\pm 2.0^\circ$		MM	3:1							
	4 PLACES \pm	DRWN BY	DATE	KLANG 2015/01/05							
	3 PLACES \pm	CHKD BY	DATE	TMCCLELL 2016/09/14							
	2 PLACES ± 0.13	APPR BY	DATE	MBANAKIS 2015/01/07							
	1 PLACE ± 0.25	DRAWING SIZE	THIRD ANGLE PROJECTION	C							
0 PLACES \pm	DRAFT WHERE APPLICABLE MUST REMAIN WITHIN DIMENSIONS		PRODUCT CUSTOMER DRAWING SERIES: 170729 MATERIAL NUMBER: SEE CHART CUSTOMER: GENERAL MARKET DOCUMENT NUMBER: SD-170729-0001 DOC TYPE: PSD DOC PART: 000 SHEET NUMBER: 4 OF 8								

RELEASE STATUS	RELEASE DATE	
----------------	--------------	--

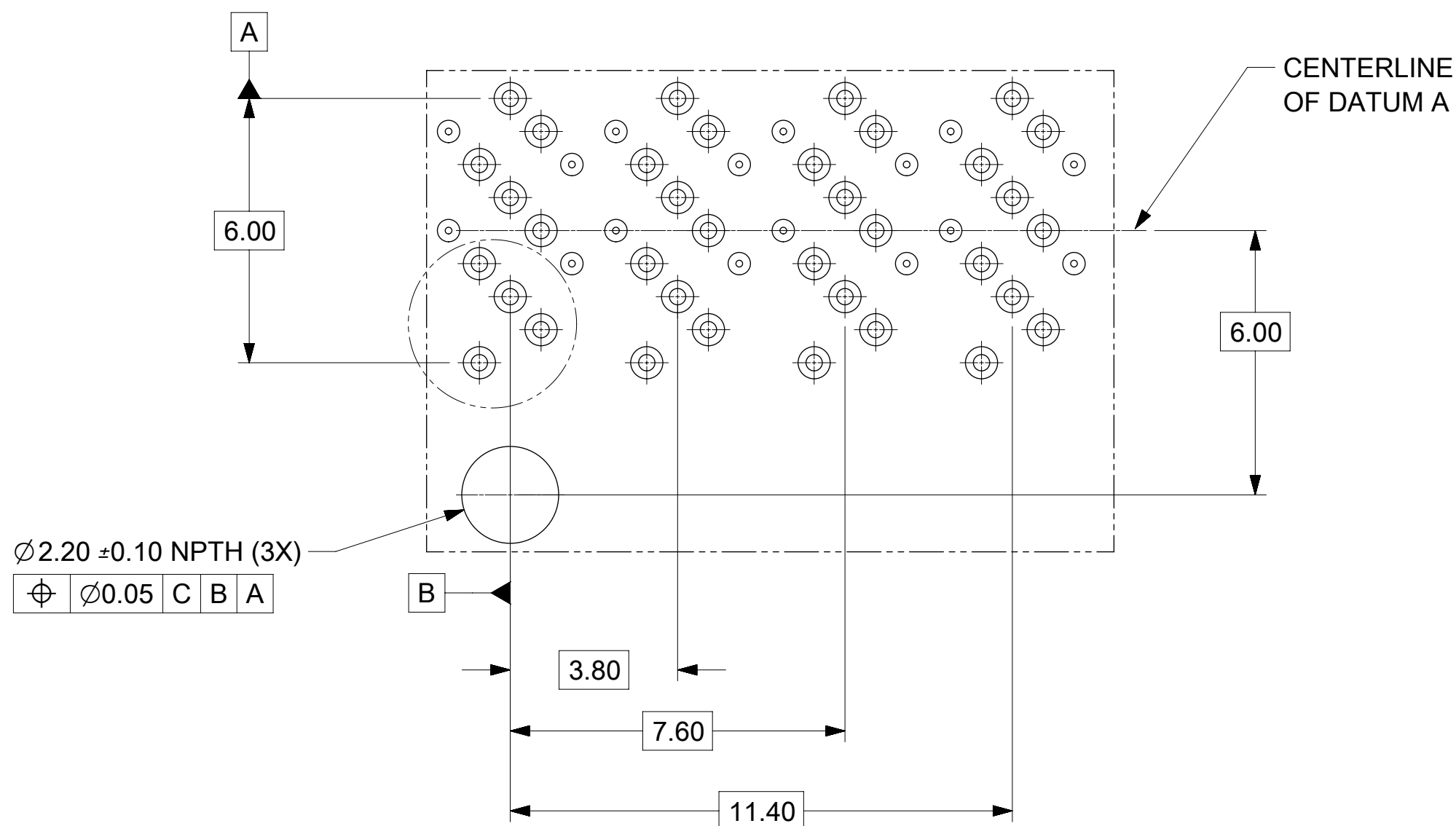
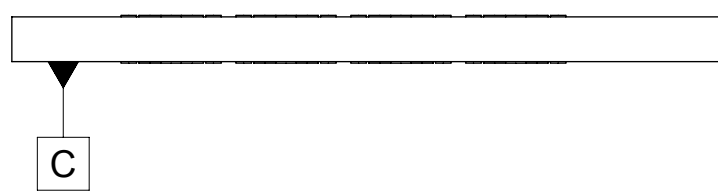
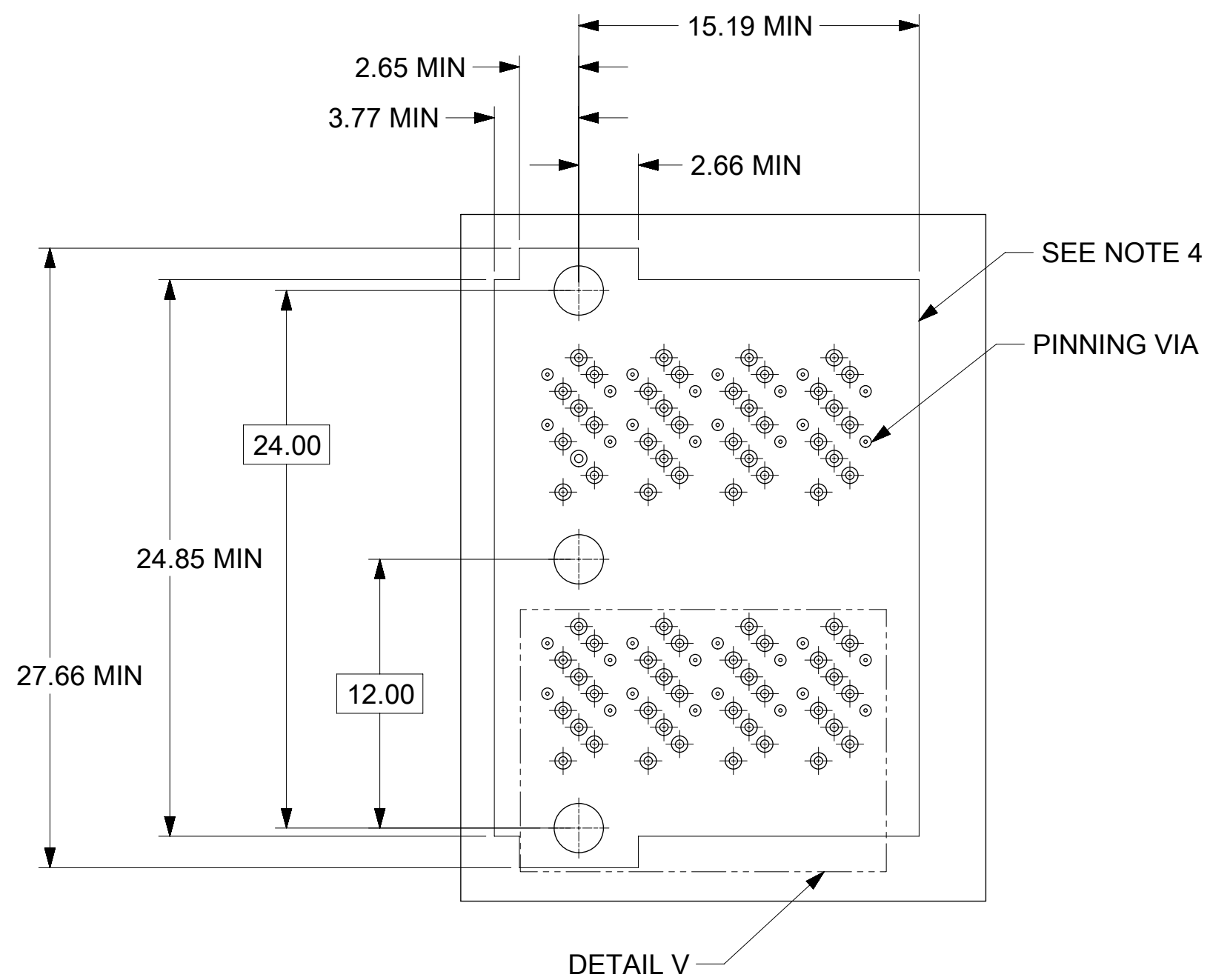


- NOTES:
1. RECOMMENDED DRILL SIZE FOR A 0.37 ϕ FINISHED PTH REFER TO APPLICATION SPECIFICATION AS-170729-0001
 2. MINIMUM RECOMMENDED SPACING IS 16.00MM
 3. MINIMUM RECOMMENDED PCB THICKNESS: 1.57MM
 4. CONNECTOR KEEP OUT AREA

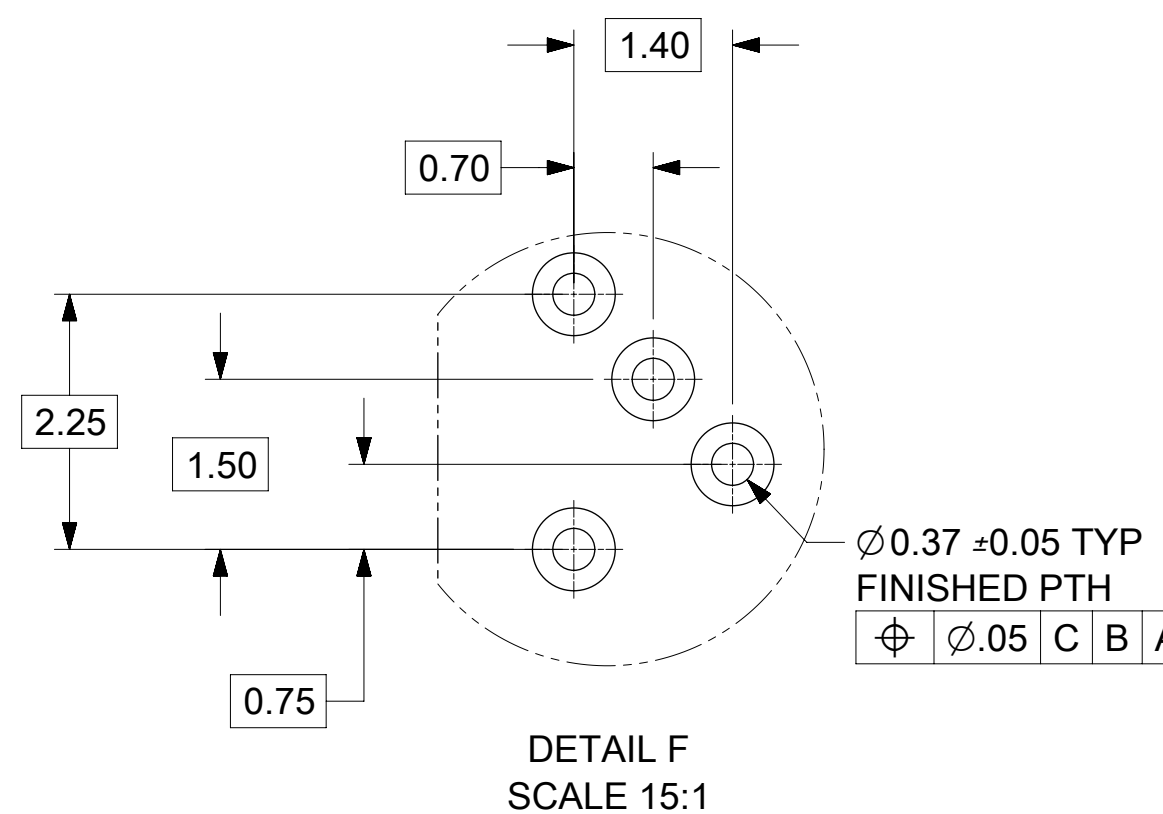
1X1 RECOMMENDED FOOTPRINT

THIS DRAWING CONTAINS INFORMATION THAT IS PROPRIETARY TO MOLEX ELECTRONIC TECHNOLOGIES, LLC AND SHOULD NOT BE USED WITHOUT WRITTEN PERMISSION												
MIGRATED EC NO: 108695 DRWN: ABN CHKD: REV / APPR: SMILLER	GENERAL TOLERANCES (UNLESS SPECIFIED)						DIMENSION UNITS	SCALE				
	ANGULAR TOL $\pm 2.0^\circ$						MM	4:1				
	4 PLACES \pm		DRWN BY				DATE		IPASS VERTICAL ZHD INTERNAL ASSEMBLY 1X1, 1X2, 1X4 PRODUCT CUSTOMER DRAWING SERIES MATERIAL NUMBER CUSTOMER 170729 SEE CHART GENERAL MARKET DOCUMENT NUMBER DOC TYPE DOC PART SHEET NUMBER SD-170729-0001 PSD 000 5 OF 8			
	3 PLACES \pm		KLANG				2015/01/05					
	2 PLACES ± 0.13		CHKD BY				DATE					
1 PLACE ± 0.25		TMCCLELL				2016/09/14						
0 PLACES \pm		APPR BY				DATE						
DRAFT WHERE APPLICABLE MUST REMAIN WITHIN DIMENSIONS						DRAWING SIZE	THIRD ANGLE PROJECTION					
A	C											

RELEASE STATUS	RELEASE DATE
12	11



DETAIL E
SCALE 8:1



DETAIL F
SCALE 15:1

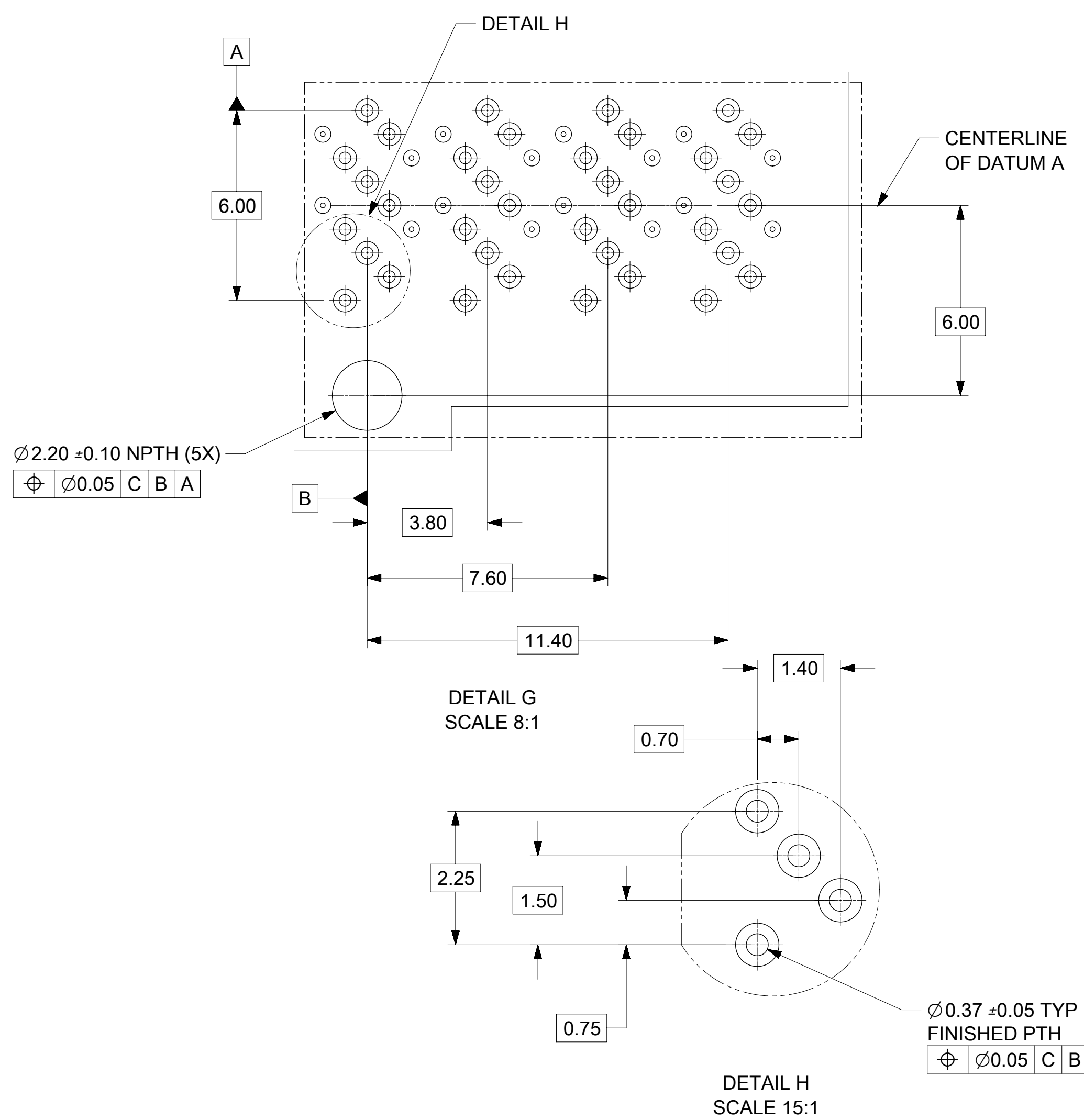
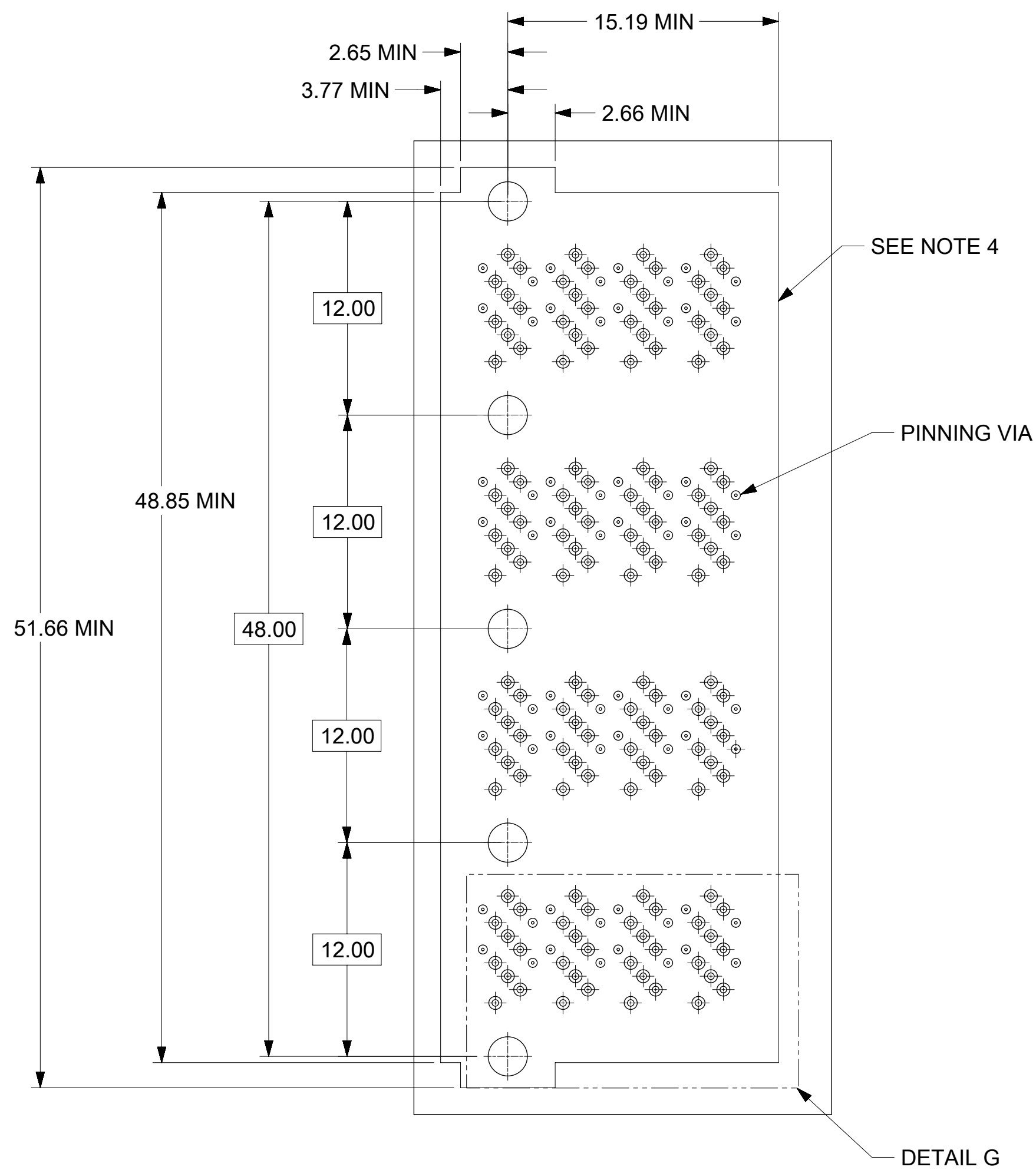
1X2 RECOMMENDED FOOTPRINT

NOTES:

1. RECOMMENDED DRILL SIZE FOR A 0.37Ø FINISHED PTH REFER TO APPLICATION SPECIFICATION AS-170729-0001
2. MINIMUM RECOMMENDED SPACING IS 28.00MM
3. MINIMUM RECOMMENDED PCB THICKNESS: 1.57MM
4. CONNECTOR KEEP OUT AREA

THIS DRAWING CONTAINS INFORMATION THAT IS PROPRIETARY TO MOLEX ELECTRONIC TECHNOLOGIES, LLC AND SHOULD NOT BE USED WITHOUT WRITTEN PERMISSION											
MIGRATED EC NO: 108695 DRWN: ABN CHKD: REV / APPR: SMILLER	GENERAL TOLERANCES (UNLESS SPECIFIED)				DIMENSION UNITS	SCALE					
	ANGULAR TOL ± 2.0 °				MM	4:1					
	4 PLACES ±		DRWN BY		DATE		IPASS VERTICAL ZHD INTERNAL ASSEMBLY 1X1, 1X2, 1X4 PRODUCT CUSTOMER DRAWING SERIES MATERIAL NUMBER CUSTOMER 170729 SEE CHART GENERAL MARKET DOCUMENT NUMBER DOC TYPE DOC PART SHEET NUMBER SD-170729-0001 PSD 000 6 OF 8				
	3 PLACES ±		KLANG		2015/01/05						
	2 PLACES ± 0.13		CHKD BY		DATE						
	1 PLACE ± 0.25		TMCCLELL		2016/09/14						
0 PLACES ±		APPR BY		DATE							
DRAFT WHERE APPLICABLE MUST REMAIN WITHIN DIMENSIONS		MBANAKIS		2015/01/07							
A	DRAWING SIZE				THIRD ANGLE PROJECTION						

RELEASE STATUS	RELEASE DATE
12	11

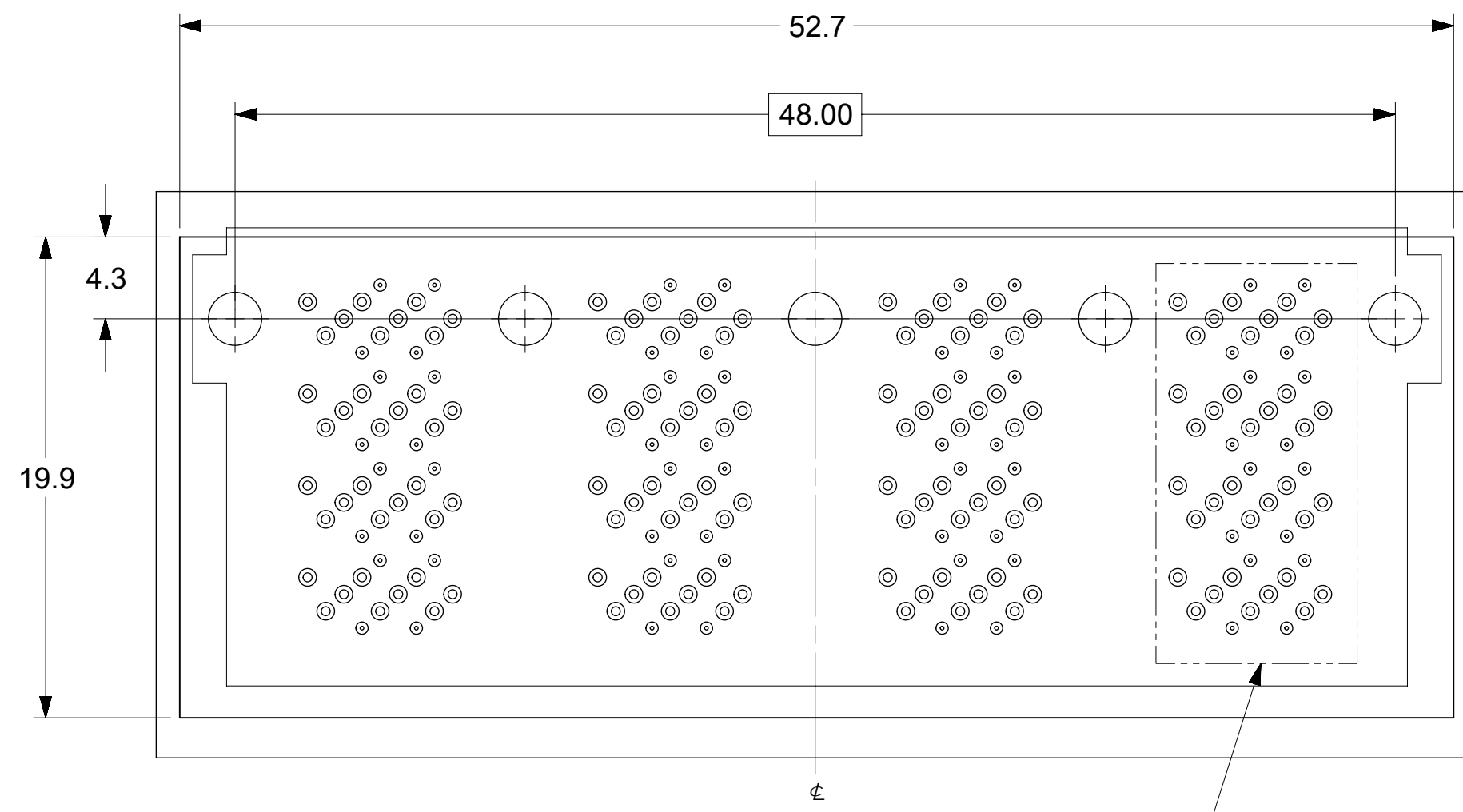
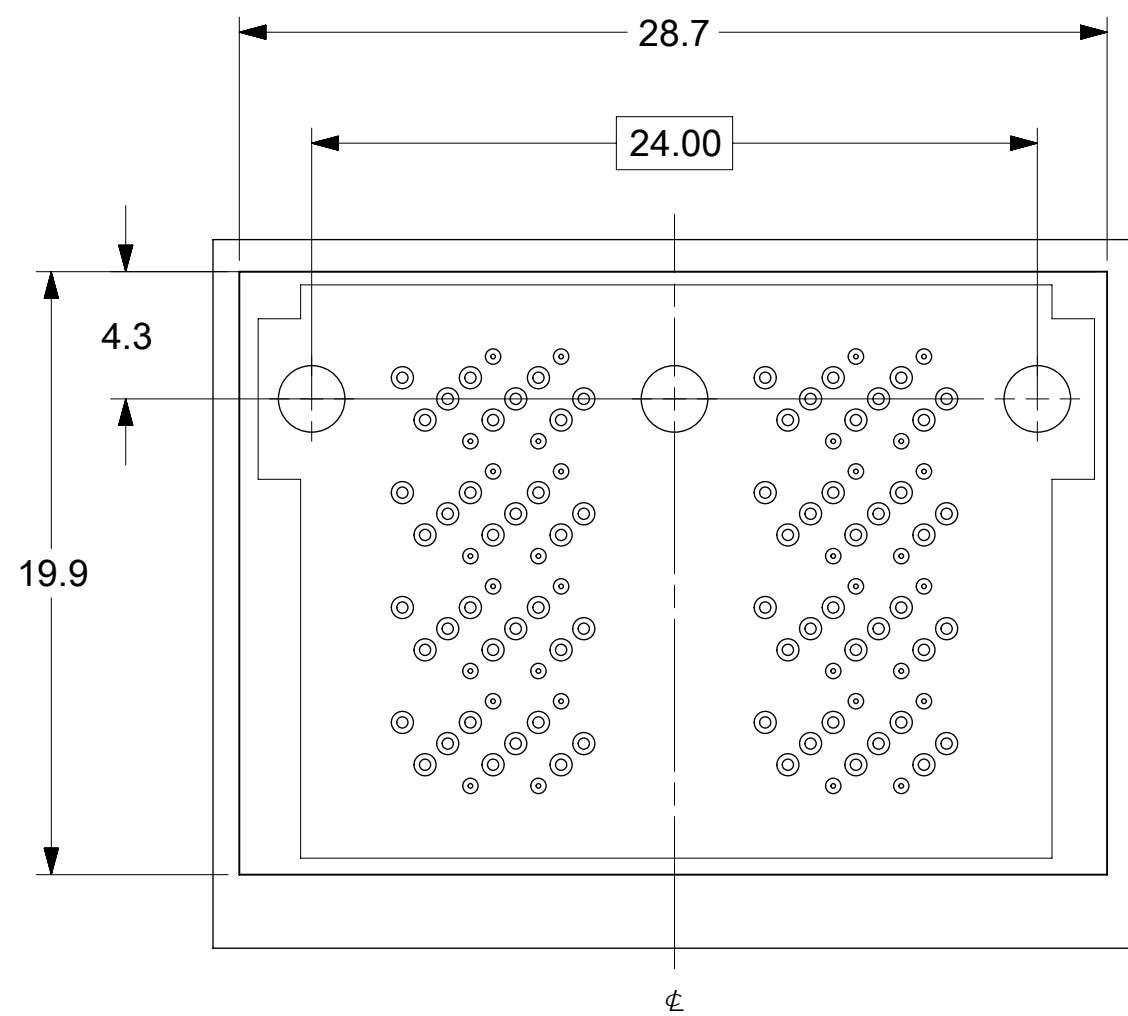
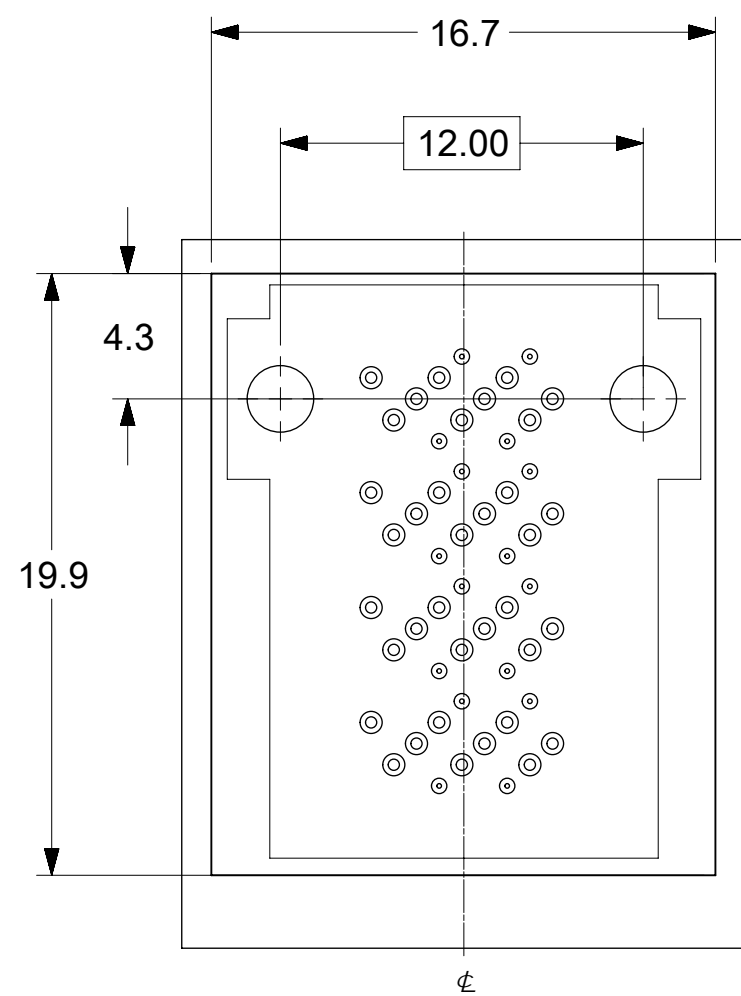


- NOTES:
1. RECOMMENDED DRILL SIZE FOR A 0.37 ϕ FINISHED PTH REFER TO APPLICATION SPECIFICATION AS-170729-0001
 2. MINIMUM RECOMMENDED SPACING IS 52.00MM
 3. MINIMUM RECOMMENDED PCB THICKNESS: 1.57MM
 4. CONNECTOR KEEP OUT AREA

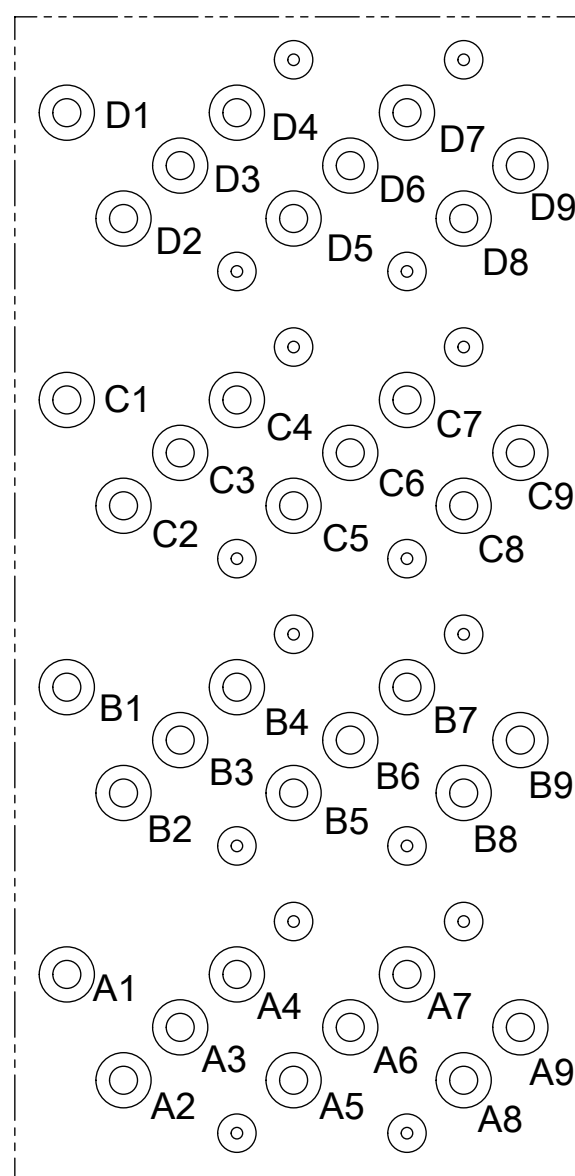
1X4 RECOMMENDED FOOTPRINT

THIS DRAWING CONTAINS INFORMATION THAT IS PROPRIETARY TO MOLEX ELECTRONIC TECHNOLOGIES, LLC AND SHOULD NOT BE USED WITHOUT WRITTEN PERMISSION											
MIGRATED EC NO: 108695 DRWN: ABN CHKD: REV / APPR: SMILLER	GENERAL TOLERANCES (UNLESS SPECIFIED)				DIMENSION UNITS	SCALE					
	ANGULAR TOL \pm 2.0 °				MM	4:1					
	4 PLACES	\pm	KLANG		DRWN BY	DATE	IPASS VERTICAL ZHD INTERNAL ASSEMBLY 1X1, 1X2, 1X4				
	3 PLACES	\pm	2015/01/05		CHKD BY	DATE					
	2 PLACES	\pm 0.13	TMCCLELL		APPR BY	DATE	PRODUCT CUSTOMER DRAWING				
1 PLACE	\pm 0.25	2016/09/14		MBANAKIS	2015/01/07						
0 PLACES	\pm	DRAWING SIZE		THIRD ANGLE PROJECTION	SERIES		MATERIAL NUMBER	CUSTOMER			
DRAFT WHERE APPLICABLE MUST REMAIN WITHIN DIMENSIONS				C	170729		SEE CHART	GENERAL MARKET			
					DOCUMENT NUMBER		SD-170729-0001	DOC TYPE	DOC PART	SHEET NUMBER	
							PSD	000	7 OF 8		

RELEASE STATUS	RELEASE DATE
12	11



RECOMMENDED KEEP OUT AREA FOR WAFER TERMINAL EXTRACTION TOOLING (REFER TO AS-170729-0001)



DETAIL K
CIRCUIT IDENTIFICATION
(TYP EACH PORT)

THIS DRAWING CONTAINS INFORMATION THAT IS PROPRIETARY TO MOLEX ELECTRONIC TECHNOLOGIES, LLC AND SHOULD NOT BE USED WITHOUT WRITTEN PERMISSION														
MIGRATED EC NO: 108895 DRWN: ABN CHKD: REV / APPR: SMILLER	2016/07/16		2016/09/23		GENERAL TOLERANCES (UNLESS SPECIFIED)		DIMENSION UNITS		SCALE					
	4 PLACES		±		ANGULAR TOL ± 2.0 °		MM		4:1					
	3 PLACES		±		DRWN BY		KLANG		DATE			IPASS VERTICAL ZHD INTERNAL ASSEMBLY 1X1, 1X2, 1X4		
	2 PLACES		± 0.13		CHKD BY		TMCCLELL		DATE					
	1 PLACE		± 0.25		APPR BY		MBANAKIS		DATE			PRODUCT CUSTOMER DRAWING SERIES MATERIAL NUMBER CUSTOMER 170729 SEE CHART GENERAL MARKET		
	0 PLACES		±		DRAWING SIZE		C		THIRD ANGLE PROJECTION					
DRAFT WHERE APPLICABLE MUST REMAIN WITHIN DIMENSIONS											DOCUMENT NUMBER SD-170729-0001	DOC TYPE PSD	DOC PART 000	SHEET NUMBER 8 OF 8