



Chipsmall Limited consists of a professional team with an average of over 10 year of expertise in the distribution of electronic components. Based in Hongkong, we have already established firm and mutual-benefit business relationships with customers from,Europe,America and south Asia,supplying obsolete and hard-to-find components to meet their specific needs.

With the principle of “Quality Parts,Customers Priority,Honest Operation,and Considerate Service”,our business mainly focus on the distribution of electronic components. Line cards we deal with include Microchip,ALPS,ROHM,Xilinx,Pulse,ON,Everlight and Freescale. Main products comprise IC,Modules,Potentiometer,IC Socket,Relay,Connector.Our parts cover such applications as commercial,industrial, and automotives areas.

We are looking forward to setting up business relationship with you and hope to provide you with the best service and solution. Let us make a better world for our industry!



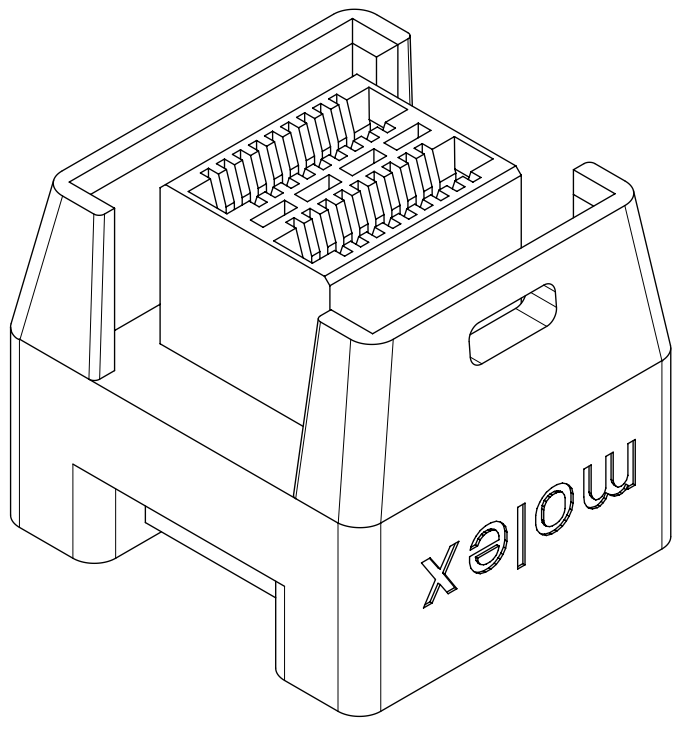
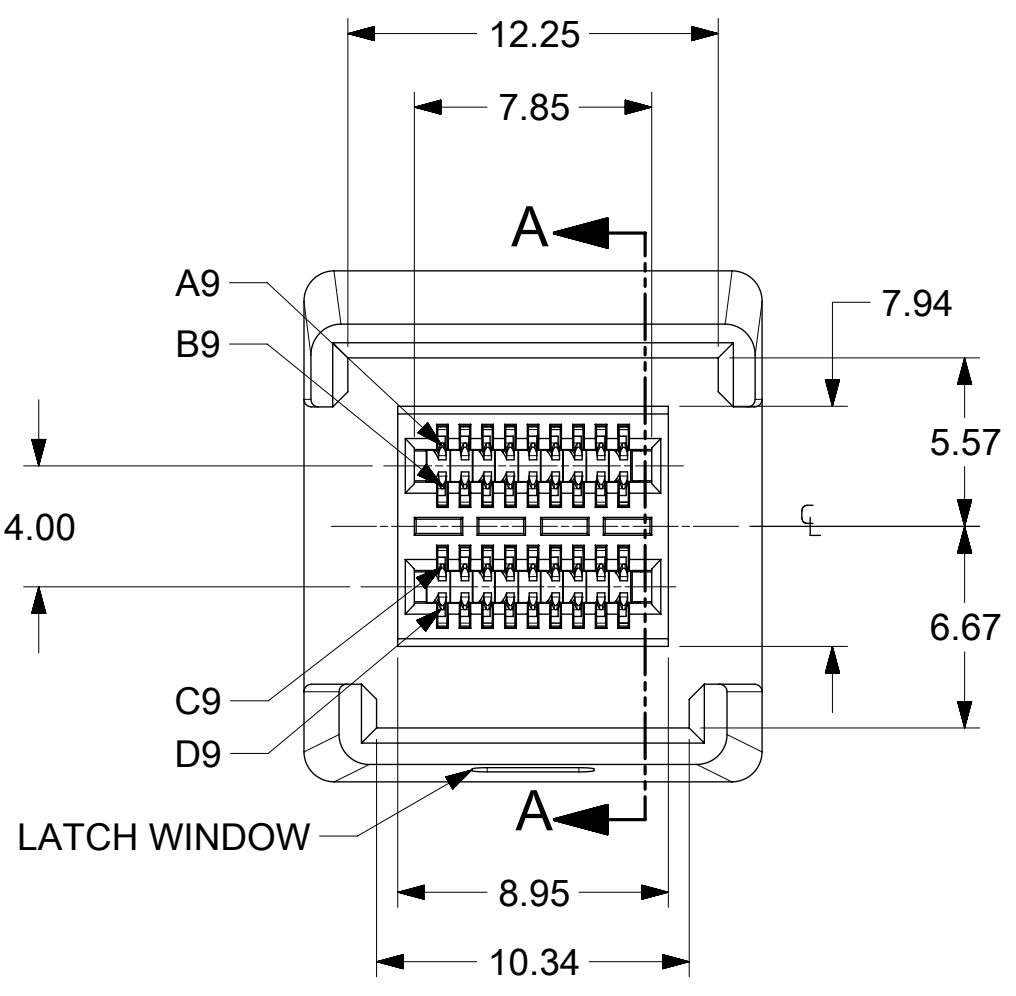
Contact us

Tel: +86-755-8981 8866 Fax: +86-755-8427 6832

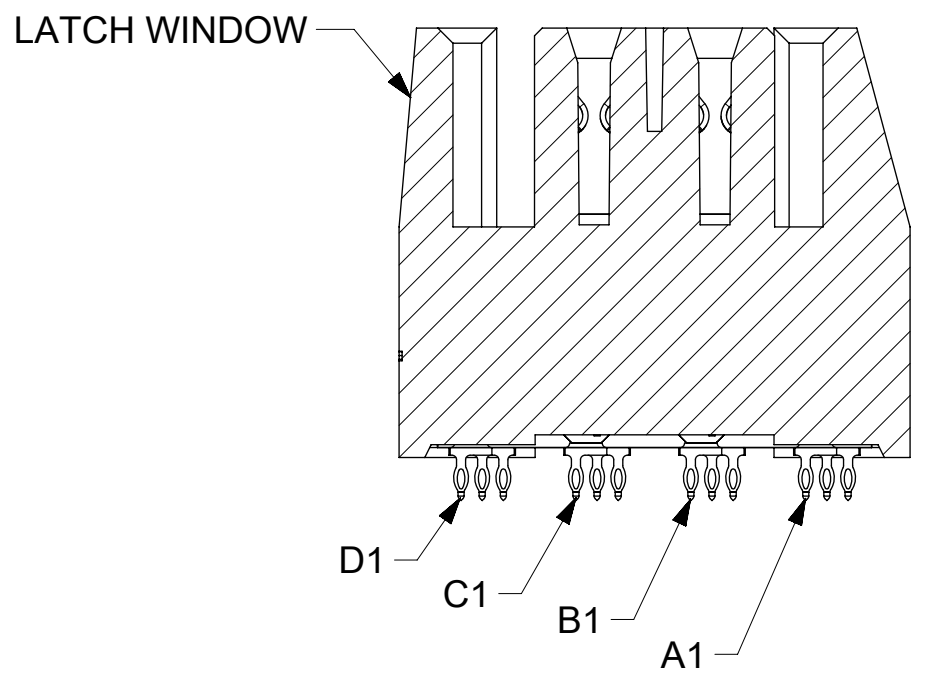
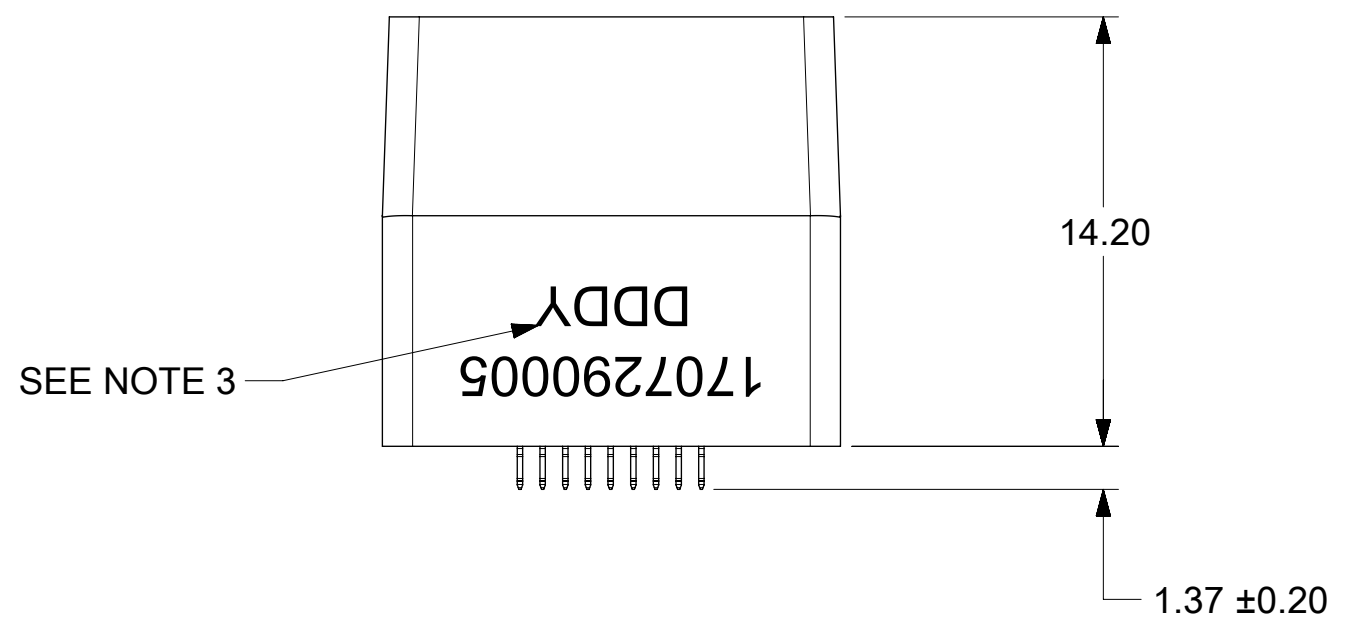
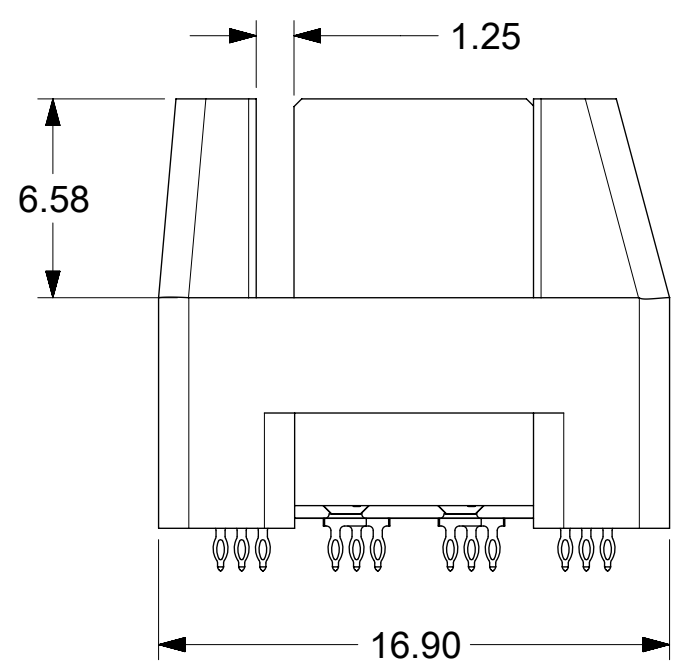
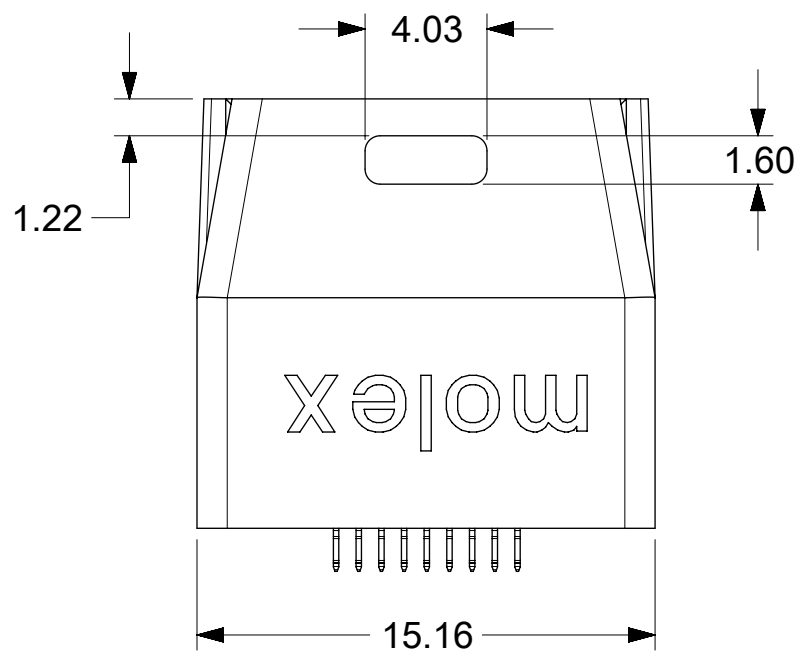
Email & Skype: info@chipsmall.com Web: www.chipsmall.com

Address: A1208, Overseas Decoration Building, #122 Zhenhua RD., Futian, Shenzhen, China



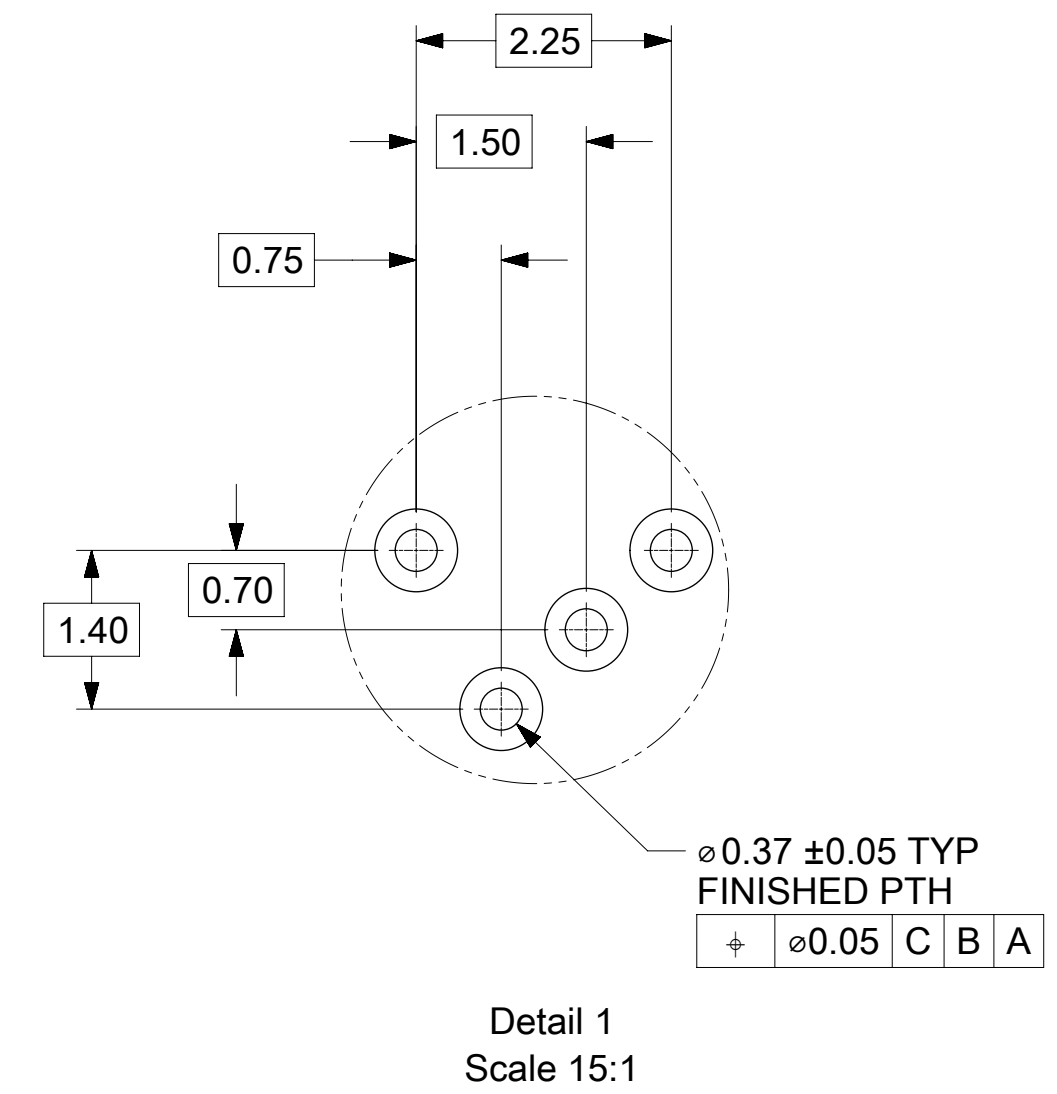
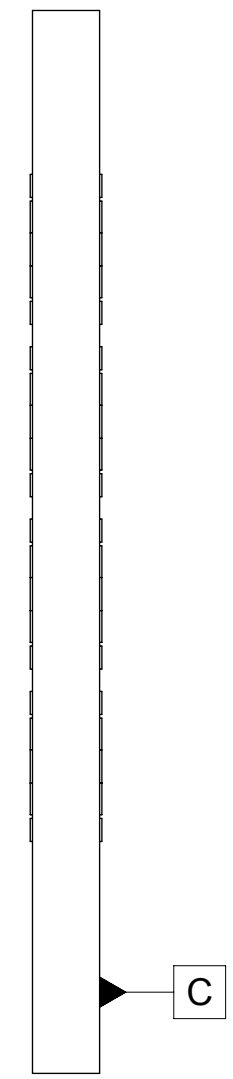
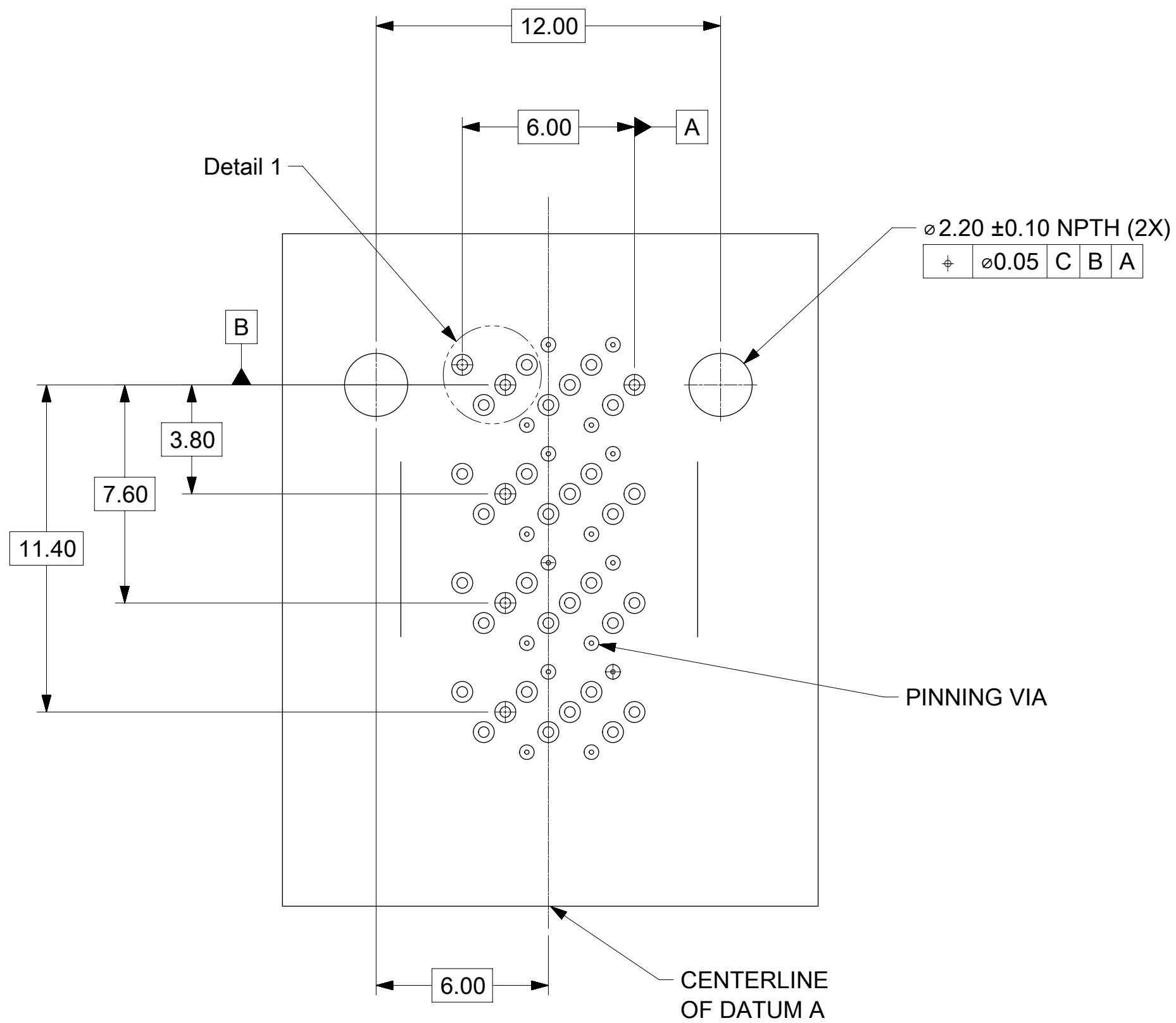


- NOTES:
1. MATERIALS:
CONNECTOR HOUSING: HIGH TEMPERATURE THERMOPLASTIC
GLASS FILLED, UL 94V-0
 2. FINISHES:
CONTACT AREA: 0.76 μ M MIN GOLD OVER 3.81 μ M NICKEL
COMPLIANT AREA: 0.76 μ M MIN TIN (LEAD FREE)
OVER 1.27 μ M MIN NICKEL
 3. MANUFACTURED DATE CODE (JULIAN CALENDAR) & PART NUMBER
 4. PRODUCT SPECIFICATION: PS-170729-001
 5. PACKAGING SPECIFICATION: PK-76867-002
 6. MATES WITH: MOLEX CABLE SERIES 111074
 7. MOUNTING HARDWARE NOT INCLUDED REFER TO APPLICATION SPECIFICATION AS-170729-0001.
 8. PLUG MODULE PCB LAYOUT REFER TO SD-76866-9900



Section A-A

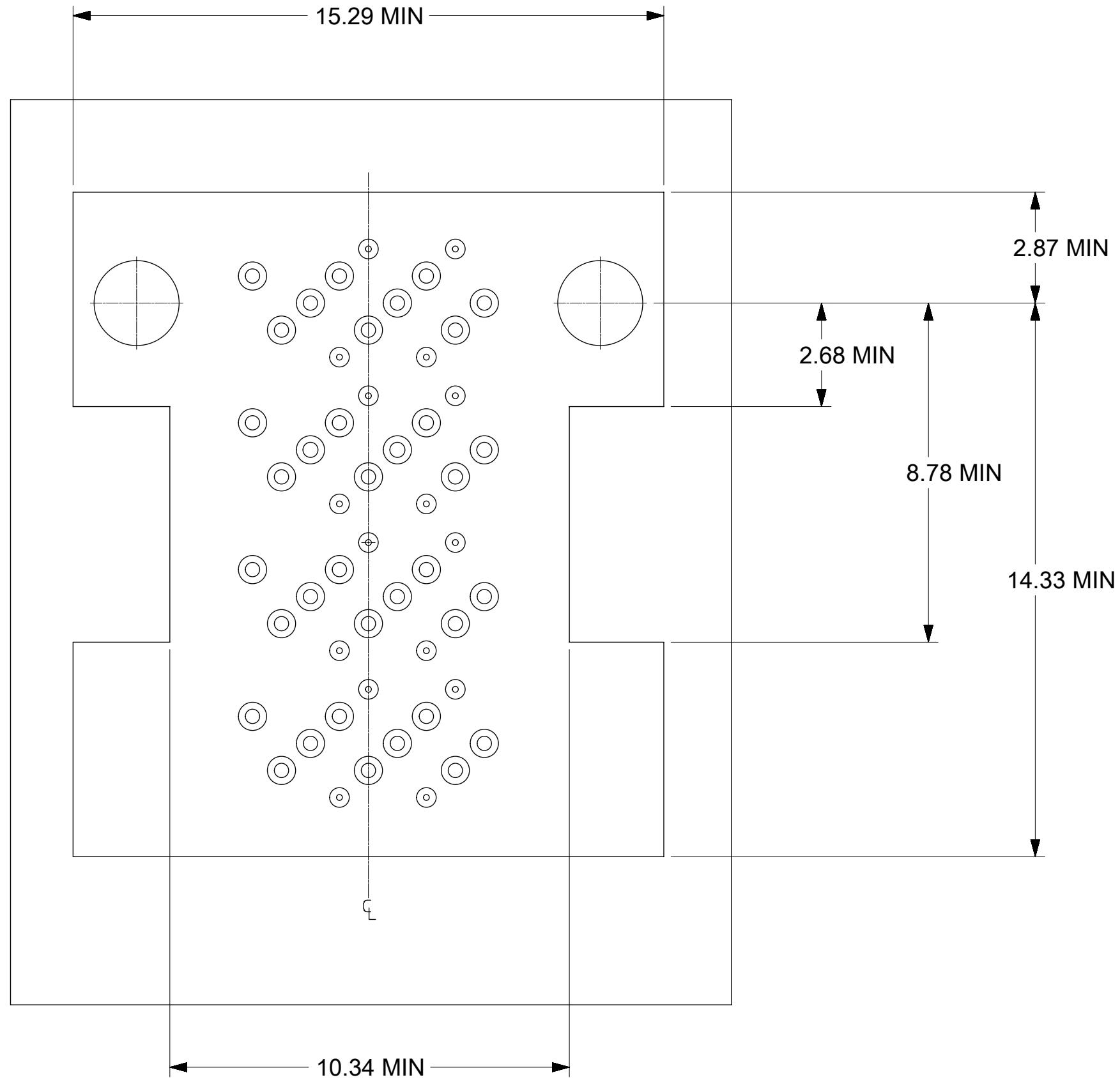
THIS DRAWING CONTAINS INFORMATION THAT IS PROPRIETARY TO MOLEX ELECTRONIC TECHNOLOGIES, LLC AND SHOULD NOT BE USED WITHOUT WRITTEN PERMISSION													
MIGRATED EC NO: 108695 DRWN: ABN CHKD: REV / APPR: SMILLER	2016/07/16		2016/09/23		GENERAL TOLERANCES (UNLESS SPECIFIED)		DIMENSION UNITS		SCALE				
					ANGULAR TOL \pm 2.0 °		MM		4:1				
	4 PLACES		\pm		DRWN BY		DATE		TMCCLELL			2013/02/04	
	3 PLACES		\pm		CHK'D BY		DATE		TMCCLELLAND			2013/02/19	
	2 PLACES		\pm 0.13		APPR BY		DATE		MBANAKIS			2013/03/19	
1 PLACE		\pm 0.25		DRAWING SIZE		THIRD ANGLE PROJECTION		C					
0 PLACES		\pm		DRAFT WHERE APPLICABLE MUST REMAIN WITHIN DIMENSIONS									
SERIES			MATERIAL NUMBER			CUSTOMER			PRODUCT CUSTOMER DRAWING				
170729			170729-0005			GENERAL MARKET							
DOCUMENT NUMBER				DOC TYPE		DOC PART		SHEET NUMBER					
SD-170729-0005				PSD		000		1 OF 3					



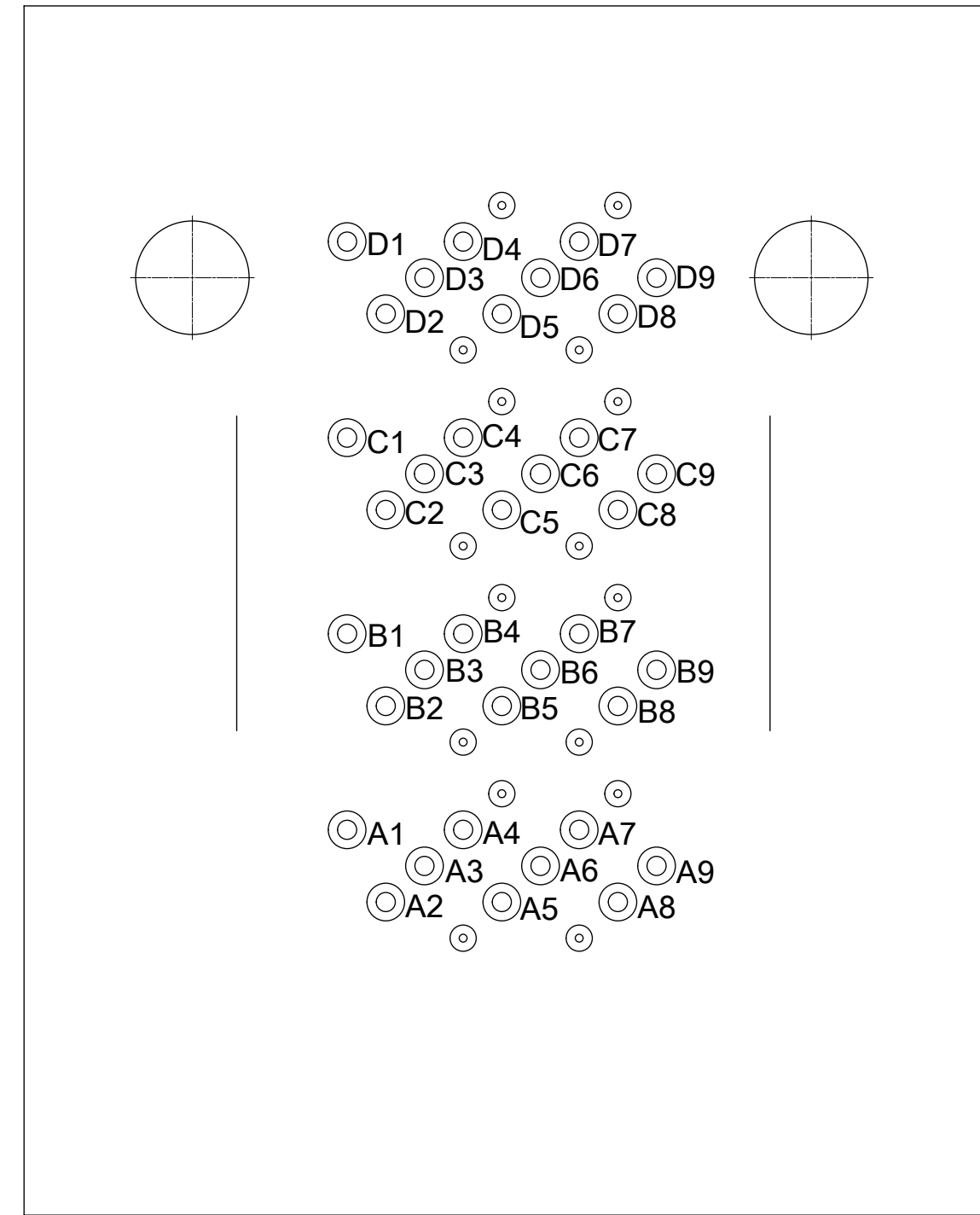
RECOMMENDED FOOTPRINT

- NOTES:
1. RECOMMENDED DRILL SIZE AND ANNULAR RING FOR 0.37 \varnothing FINISHED PTH - REFER TO APPLICATION SPECIFICATION AS-170729-0001
 2. MINIMUM RECOMMENDED SPACING IS 16.00MM
 3. MINIMUM RECOMMENDED PCB THICKNESS: 1.57MM

THIS DRAWING CONTAINS INFORMATION THAT IS PROPRIETARY TO MOLEX ELECTRONIC TECHNOLOGIES, LLC AND SHOULD NOT BE USED WITHOUT WRITTEN PERMISSION												
MIGRATED EC NO: 108895 DRWN: ABN CHKD: REV	2016/07/16	2016/09/23	GENERAL TOLERANCES (UNLESS SPECIFIED)			DIMENSION UNITS	SCALE					
			ANGULAR TOL $\pm 2.0^\circ$			MM	6:1					
			4 PLACES	\pm		DRWN BY	DATE	IPASS ZHD VERTICAL SINGLE PIECE HOUSING ASSEMBLY				
			3 PLACES	\pm		TMCCLELL	2013/02/04					
			2 PLACES	± 0.13		CHKD BY	DATE	PRODUCT CUSTOMER DRAWING				
			1 PLACE	± 0.25		TMCCLELLAND	2013/02/19					
0 PLACES	\pm		APPR BY	DATE	SERIES	MATERIAL NUMBER	CUSTOMER					
			MBANAKIS	2013/03/19	170729	170729-0005	GENERAL MARKET					
DRAFT WHERE APPLICABLE MUST REMAIN WITHIN DIMENSIONS			DRAWING SIZE	THIRD ANGLE PROJECTION	DOCUMENT NUMBER		DOC TYPE	DOC PART	SHEET NUMBER			
A			C		SD-170729-0005		PSD	000	2 OF 3			



RECOMMENDED COMPONENT KEEP OUT AREA



CIRCUIT IDENTIFICATION

THIS DRAWING CONTAINS INFORMATION THAT IS PROPRIETARY TO MOLEX ELECTRONIC TECHNOLOGIES, LLC AND SHOULD NOT BE USED WITHOUT WRITTEN PERMISSION

MIGRATED EC NO: 108895 DRWN: ABN CHKD: REV / APPR: SMILLER	2016/07/16	GENERAL TOLERANCES (UNLESS SPECIFIED)	DIMENSION UNITS	SCALE			
	2016/09/23		MM	8:1			
			ANGULAR TOL ± 2.0 °	DRWN BY		DATE	IPASS ZHD VERTICAL SINGLE PIECE HOUSING ASSEMBLY
			4 PLACES ±	TMCCLELL		2013/02/04	
			3 PLACES ±	CHKD BY		DATE	
			2 PLACES ± 0.13	TMCCLELLAND		2013/02/19	
	1 PLACE ± 0.25	APPR BY	DATE				
	0 PLACES ±	MBANAKIS	2013/03/19	PRODUCT CUSTOMER DRAWING			
	DRAFT WHERE APPLICABLE MUST REMAIN WITHIN DIMENSIONS	DRAWING SIZE	THIRD ANGLE PROJECTION	SERIES	MATERIAL NUMBER	CUSTOMER	
A	C	C		170729	170729-0005	GENERAL MARKET	
				DOCUMENT NUMBER	DOC TYPE	DOC PART SHEET NUMBER	
				SD-170729-0005	PSD	000 3 OF 3	

RELEASE STATUS	RELEASE DATE
12	11