



Chipsmall Limited consists of a professional team with an average of over 10 year of expertise in the distribution of electronic components. Based in Hongkong, we have already established firm and mutual-benefit business relationships with customers from,Europe,America and south Asia,supplying obsolete and hard-to-find components to meet their specific needs.

With the principle of “Quality Parts,Customers Priority,Honest Operation,and Considerate Service”,our business mainly focus on the distribution of electronic components. Line cards we deal with include Microchip,ALPS,ROHM,Xilinx,Pulse,ON,Everlight and Freescale. Main products comprise IC,Modules,Potentiometer,IC Socket,Relay,Connector.Our parts cover such applications as commercial,industrial, and automotives areas.

We are looking forward to setting up business relationship with you and hope to provide you with the best service and solution. Let us make a better world for our industry!



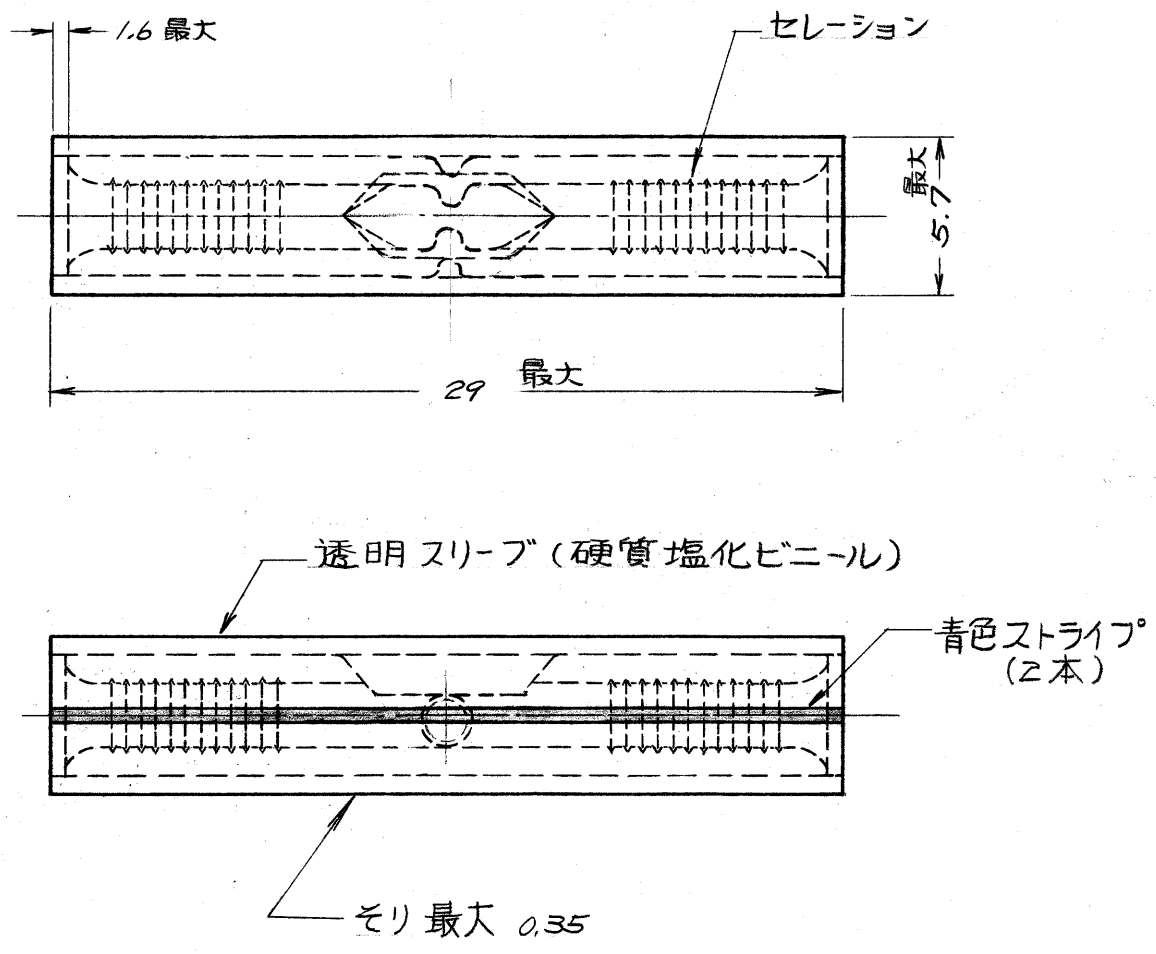
Contact us

Tel: +86-755-8981 8866 Fax: +86-755-8427 6832

Email & Skype: info@chipsmall.com Web: www.chipsmall.com


Address: A1208, Overseas Decoration Building, #122 Zhenhua RD., Futian, Shenzhen, China





注：使用工具 720765-1

PRINT DIST
単位：耗 DIMENSIONS IN MM. DO NOT SCALE PRINT.

				©1970 日本エー・エム・ピー株式会社 AMP社の諸製品は特許又は特許出願中		©1970 BY AMP (Japan), Ltd. ALL RIGHTS RESERVED. AMP PRODUCTS COVERED BY PATENTS AND/OR PATENTS PENDING		参考図面 (CUSTOMER COPY) (REFERENCE ONLY)	
				材料 (MATERIAL) 電気銅		 日本エー・エム・ピー株式会社 TOKYO, JAPAN			
C REVISED (P-DWG REV-D) ①② Y.K. J.S. 6/12/73				仕上 (FINISH) 焼なまし, 錫めっき		TRADE MARK			
B REVISED (P-DWG REV. C) Y.K. J.S. 1/17/73				包合電線断面積 (WIRE RANGE) 1.0 ~ 2.1 mm ² (AWG #)		分類 (CLASS) 突き合わせ型			
A ADDED STRAIGHTNESS (P-DWG REV. B) Y.K. J.S. 1/18/71				被覆外径 (INSULATION DIA.) # mm (# IN)		型式 (TYPE) プラスティ・グリップ°			
O RELEASED (P-DWG REV. O) K.K. J.S. 1/21/70				一般公差 (TOLERANCE EXCEPT AS NOTED) ±0.4 / ±1°		尺度 (SCALE) 4-1		LOC SIZE 番号 (NO) J A C-170765	
LTR. 変更 (REVISION RECORD)		DR. CHK. DATE		名称 (NAME) 突き合わせ接続子		REV. C			
DR. 12/11/70 K. Kobayashi		DE. 1/17/73 J. Sato		名称 (NAME) 突き合わせ接続子		REV. C			
CHK. 1/21/70 J. Sato		APP. 1/21/70 Chitatabi							

日本国有鉄道