



Chipsmall Limited consists of a professional team with an average of over 10 year of expertise in the distribution of electronic components. Based in Hongkong, we have already established firm and mutual-benefit business relationships with customers from,Europe,America and south Asia,supplying obsolete and hard-to-find components to meet their specific needs.

With the principle of “Quality Parts,Customers Priority,Honest Operation,and Considerate Service”,our business mainly focus on the distribution of electronic components. Line cards we deal with include Microchip,ALPS,ROHM,Xilinx,Pulse,ON,Everlight and Freescale. Main products comprise IC,Modules,Potentiometer,IC Socket,Relay,Connector.Our parts cover such applications as commercial,industrial, and automotives areas.

We are looking forward to setting up business relationship with you and hope to provide you with the best service and solution. Let us make a better world for our industry!



Contact us

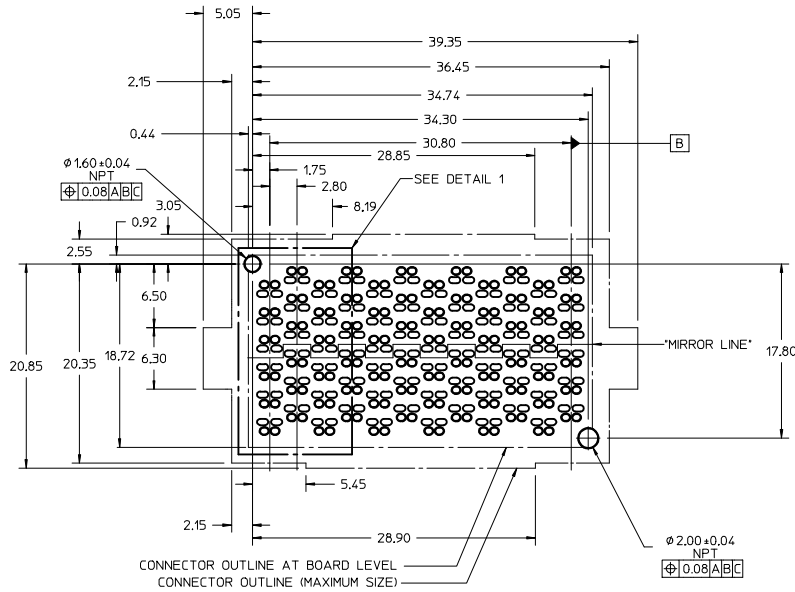
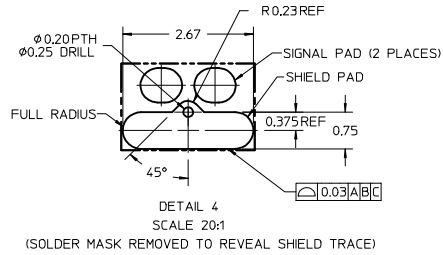
Tel: +86-755-8981 8866 Fax: +86-755-8427 6832

Email & Skype: info@chipsmall.com Web: www.chipsmall.com

Address: A1208, Overseas Decoration Building, #122 Zhenhua RD., Futian, Shenzhen, China

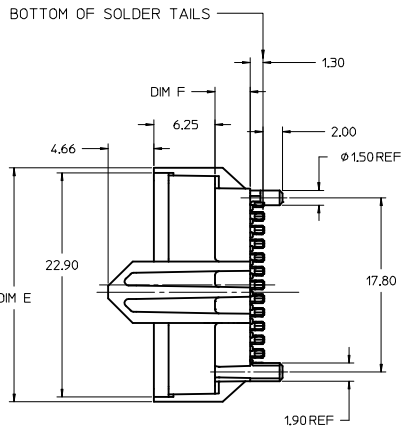
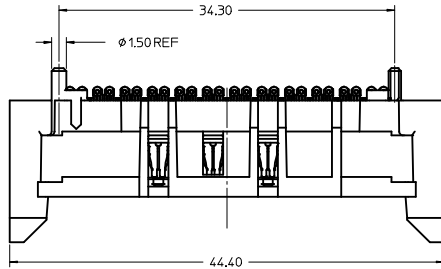


- NOTES:
- HOUSING MATERIAL: LCP, GLASS FILLED, UL 94V-0, BLACK
CONTACT MATERIAL: HIGH PERFORMANCE COPPER ALLOY
SOLDER CHARGE: LEAD FREE SOLDER ALLOY
 - FINISH:
CONTACTS: SELECTIVE GOLD: 30 MNCHES MIN ON CONTACT AREA,
SELECTIVE TIN: 100 MNCHES MIN ON SOLDERABLE PORTION
OF SOLDER TAILS, OVER 50 MNCHES MIN NICKEL OVERALL.
 - PRODUCT SPECIFICATION: PS-170807-0001
 - PACKAGING SPECIFICATION: PK-170814-002
 - APPLICATION SPECIFICATION: AS-170807-0001

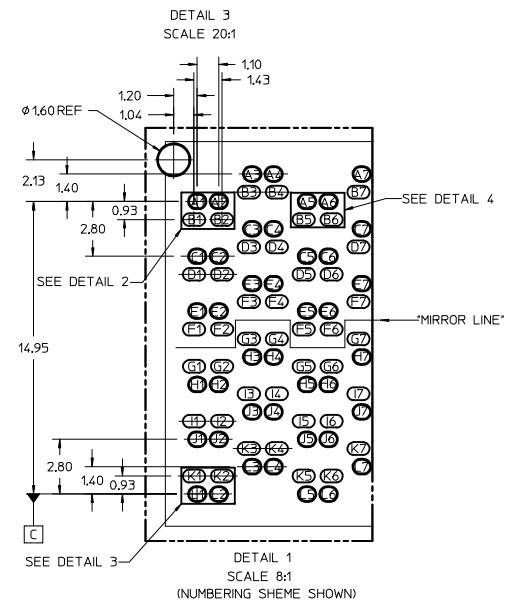
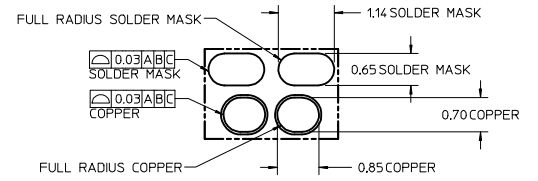
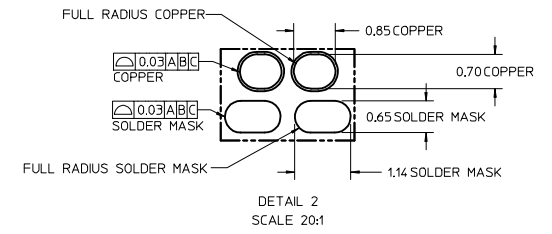


FOOT PRINT
(SCALE 4:1)

- FOOT PRINT NOTES:
- DATUM -A- IS THE TOP OF THE PCB.
 - ALL DIMENSIONS ARE BASICS.
 - SEE APPLICATION SPECIFICATION FOR ADDITIONAL INFORMATION.

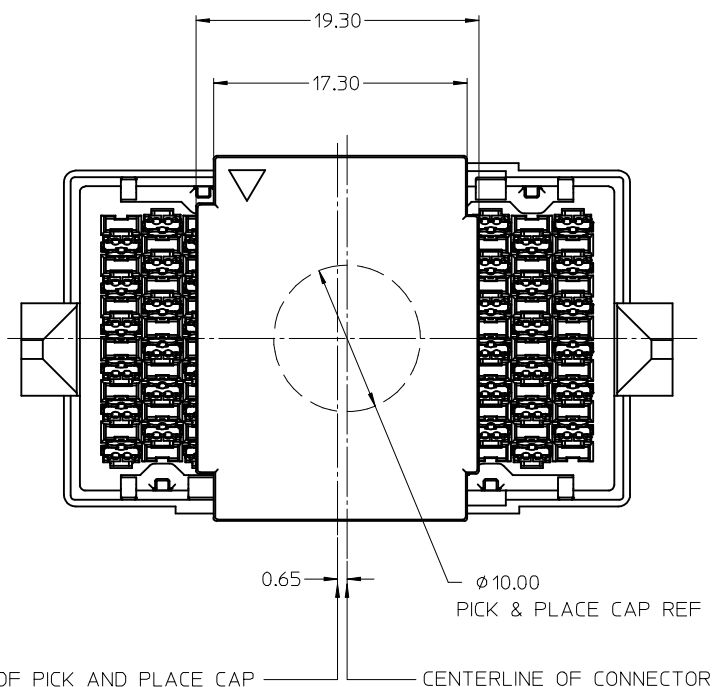


PART ILLUSTRATED IS 170814-2016

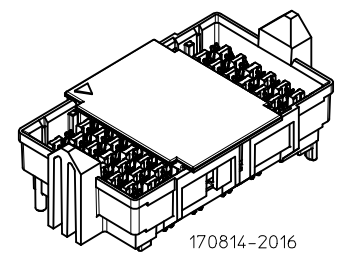
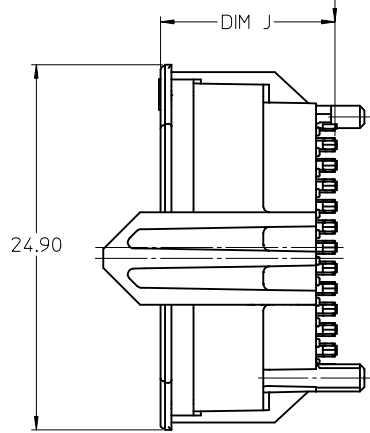


ADD NEW MATING P/N IEC NO. UICP2016-4880 DRAWN BY: CHYKDIK GOWAN CHECKED BY: CHYKDIK GOWAN APPROVED BY: CHYKDIK GOWAN DATE: 2016/07/07 DATE: 2016/07/07 DATE: 2016/07/11	QUALITY SYMBOLS	GENERAL TOLERANCES (UNLESS SPECIFIED)	DIMENSION STYLE	SCALE	DESIGN UNITS	THIRD ANGLE PROJECTION
	▽=0	mm INCH	MM ONLY	4:1	METRIC	⊕
	▽=0	4 PLACES ± --- ± ---	DRAWN BY: HCGOH	DATE: 2013/12/30	TITLE: RECEPTACLE 6X12 NEOSCALE	
	▽=0	3 PLACES ± --- ± ---	CHECKED BY: KPELOZA	DATE: 2013/12/30	DOCUMENT NO. SD-170814-2016	
▽=0	2 PLACES ± 0.15 ± ---	APPROVED BY: SHONG	DATE: 2014/01/27	SIZE: SEE CHART	SHEET NO. 1 OF 2	
▽=0	1 PLACE ± --- ± ---	ANGULAR ±1/2°	MATERIAL NO. SEE CHART	THIS DRAWING CONTAINS INFORMATION THAT IS PROPRIETARY TO MOLEX INCORPORATED AND SHOULD NOT BE USED WITHOUT WRITTEN PERMISSION		
▽=0	0 PLACE ± --- ± ---	DRAFT WHERE APPLICABLE MUST REMAIN WITHIN DIMENSIONS				

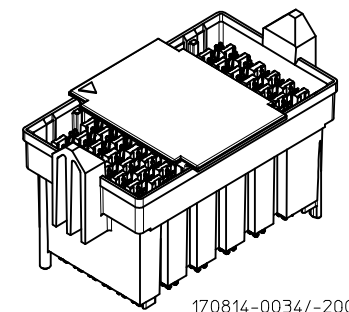
MATERIAL NUMBER	HEIGHT	TRIAD TYPE AND COUNT			DIM E	DIM F	DIM J	MATE WITH
		85 OHMS	100 OHMS	POWER				
1708142016	8.00MM	N/A	72 PLACES	N/A	23.90	3.59	11.89	1708072016 (22MM) & 1708072008 (12MM) & 1708072020 (8MM)
1708140034	18.00MM	72 PLACES	N/A	N/A	N/A	13.59	21.89	1708070034 (22MM)
1708142008	18.00MM	N/A	72 PLACES	N/A	N/A	13.59	21.89	1708072016 (22MM) & 1708072008 (12MM) & 1708072020 (8MM) 1708072027 (10MM)
1708142025	15.00MM	N/A	72 PLACES	N/A	N/A	10.59	18.89	1708072016 (22MM) & 1708072008 (12MM) & 1708072020 (8MM)



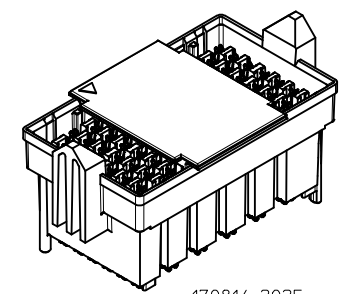
BOTTOM OF SOLDER TAILS



170814-2016



170814-0034/-2008



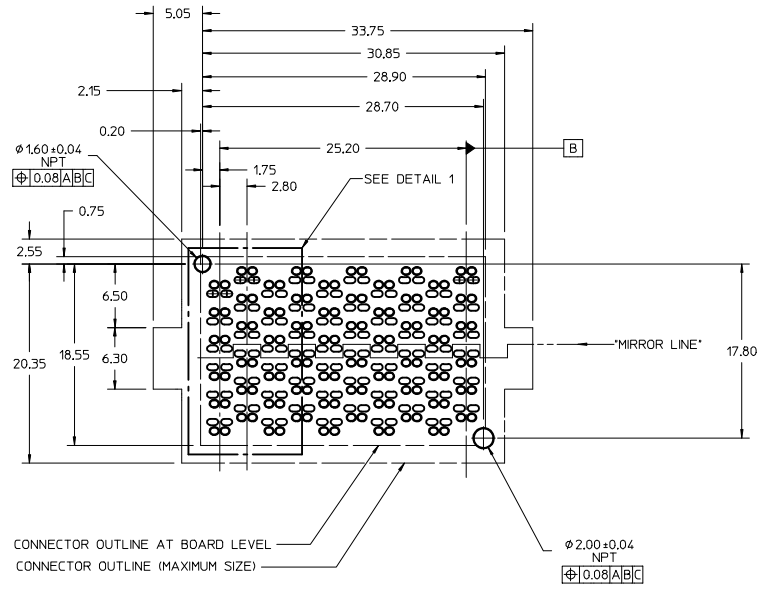
170814-2025

CENTERLINE OF PICK AND PLACE CAP CENTERLINE OF CONNECTOR

PART ILLUSTRATED IS 170814-2016

SEE SHEET 1 IEC NO: UCP2016-4880 DRAWN: LESSIECHUA 2016/07/07 CHECKED: MCGOWAN 2016/07/07 APPROVED: MCGOWAN 2016/07/11 A2	QUALITY SYMBOLS	GENERAL TOLERANCES (UNLESS SPECIFIED)	DIMENSION STYLE	SCALE	DESIGN UNITS	THIRD ANGLE PROJECTION
	▽=0	mm INCH	MM ONLY	6:1	METRIC	
	▽=0	4 PLACES ± --- ± ---	DRAWN BY DATE	TITLE		
	▽=0	3 PLACES ± --- ± ---	HCGOH 2013/12/30	RECEPTACLE		
	2 PLACES ± 0.15 ± ---	CHECKED BY DATE	6X12			
	1 PLACE ± --- ± ---	KPELOZA 2013/12/30	NEOSCALE			
	0 PLACE ± --- ± ---	APPROVED BY DATE	molex			
		SHONG 2014/01/27	MATERIAL NO.	DOCUMENT NO.	SHEET NO.	
			SEE CHART	SD-170814-2016	2 OF 2	
			THIS DRAWING CONTAINS INFORMATION THAT IS PROPRIETARY TO MOLEX INCORPORATED AND SHOULD NOT BE USED WITHOUT WRITTEN PERMISSION			

- NOTES:
- HOUSING MATERIAL: LCP, GLASS FILLED, UL 94V-0, BLACK
CONTACT MATERIAL: HIGH PERFORMANCE COPPER ALLOY
SOLDER CHARGE: LEAD FREE SOLDER ALLOY
 - FINISH:
CONTACTS: SELECTIVE GOLD: 30 HNCES MIN ON CONTACT AREA,
SELECTIVE TIN: 100 HNCES MIN ON SOLDERABLE PORTION
OF SOLDER TAILS, OVER 50 HNCES MIN NICKEL OVERALL.
 - PRODUCT SPECIFICATION: PS-170807-0001
 - PACKAGING SPECIFICATION: PK-170814-002
 - APPLICATION SPECIFICATION: AS-170807-0001

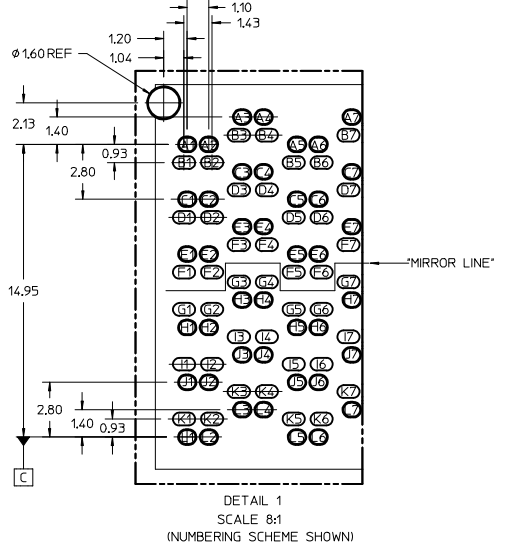
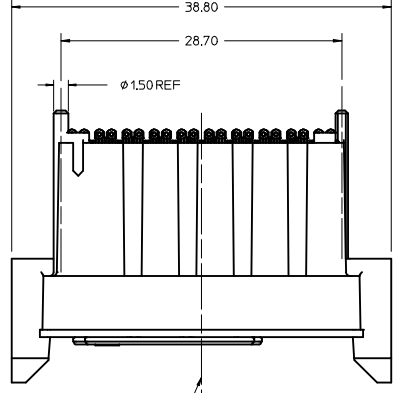


CONNECTOR OUTLINE AT BOARD LEVEL
CONNECTOR OUTLINE (MAXIMUM SIZE)

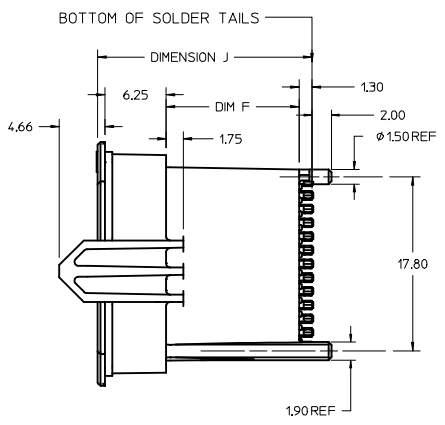
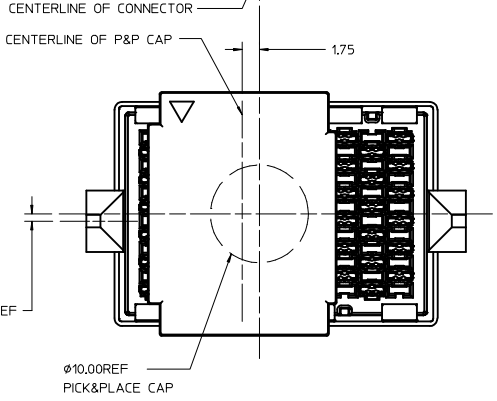
$\phi 1.60 \pm 0.04$ NPT
 $\phi 2.00 \pm 0.04$ NPT

FOOT PRINT
(SCALE 4:1)

- FOOT PRINT NOTES:
- DATUM -A- IS THE TOP OF THE PCB.
 - ALL DIMENSIONS ARE BASICS.
 - SEE APPLICATION SPECIFICATION FOR ADDITIONAL INFORMATION.



DETAIL 1
SCALE 8:1
(NUMBERING SCHEME SHOWN)



PART SHOWN IS 170814-2026

PROPOSAL IEC NO. UCP2016-4775 DRAWN BY JESSIECHUA 2016/06/14 CHECKED BY CHYKHCGOH 2016/06/14 APPR:DMCGOWAN 2016/07/11 REV DESCRIPTION	QUALITY SYMBOLS	GENERAL TOLERANCES (UNLESS SPECIFIED)	DIMENSION STYLE	SCALE	DESIGN UNITS	THIRD ANGLE PROJECTION
	$\nabla=0$	mm INCH	MM ONLY	4:1	METRIC	
	$\nabla=0$	4 PLACES ± --- ± ---	DRAWN BY DATE	JESSIECHUA 2016/06/14	TITLE	RECEPTACLE 6X10 NEOSCALE
	$\nabla=0$	3 PLACES ± --- ± ---	CHECKED BY DATE	DMCGOWAN 2016/06/14	MATERIAL NO.	SD-170814-2026
$\nabla=0$	2 PLACES ± 0.15 ± ---	APPROVED BY DATE	DMCGOWAN 2016/07/11	DOCUMENT NO.	SD-170814-2026	
	1 PLACE ± --- ± ---			SIZE	SEE CHART	SHEET NO. 1 OF 2
	0 PLACE ± --- ± ---	ANGULAR ±1/2°				
		DRAFT WHERE APPLICABLE MUST REMAIN WITHIN DIMENSIONS				

20 19 18 17 16 15 14 13 12 11 10 9 8 7 6 5 4 3 2 1

MATERIAL NUMBER	HEIGHT	TRIAD TYPE AND COUNT			DIM F	DIM J	MATE WITH
		85 OHMS	100 OHMS	POWER			
1708142026	18.00MM	N/A	60 PLACES	N/A	13.59	21.89	1708072026 (10MM)



M L K J I H G F E D C B A

SEE SHEET 1 IEC NO: UCP2016-4775 DRAWN: JESSIECHUA 2016/06/14 CHECKED BY: CHYKHCHGH 2016/06/14 APPR: DMCGOWAN 2016/07/11 REV: 1 DESCRIPTION	QUALITY SYMBOLS	GENERAL TOLERANCES (UNLESS SPECIFIED)	DIMENSION STYLE	SCALE	DESIGN UNITS	THIRD ANGLE PROJECTION
	▽=0	4 PLACES ± mm INCH	MM ONLY	METRIC	⊙	
	▽=0	3 PLACES ± 0.15				
	▽=0	2 PLACES ± 0.15				
	1 PLACE ±	ANGULAR ±1/2°				
	0 PLACE ±	DRAFT WHERE APPLICABLE MUST REMAIN WITHIN DIMENSIONS				
			DRAWN BY DATE	TITLE		
			JESSIECHUA 2016/06/14	RECEPTACLE 6X10 NEOSCALE		
			CHECKED BY DATE	molex		
			DMCGOWAN 2016/06/14			
			APPROVED BY DATE	DOCUMENT NO.		
			DMCGOWAN 2016/07/11	SD-170814-2026		
			MATERIAL NO.	SHEET NO.		
			SEE CHART	2 OF 2		
			SIZE D	THIS DRAWING CONTAINS INFORMATION THAT IS PROPRIETARY TO MOLEX INCORPORATED AND SHOULD NOT BE USED WITHOUT WRITTEN PERMISSION		

18 17 16 15 14 13 12 11 10 9 8 7 6 5 4 3 2 1