



Chipsmall Limited consists of a professional team with an average of over 10 year of expertise in the distribution of electronic components. Based in Hongkong, we have already established firm and mutual-benefit business relationships with customers from,Europe,America and south Asia,supplying obsolete and hard-to-find components to meet their specific needs.

With the principle of "Quality Parts,Customers Priority,Honest Operation,and Considerate Service",our business mainly focus on the distribution of electronic components. Line cards we deal with include Microchip,ALPS,ROHM,Xilinx,Pulse,ON,Everlight and Freescale. Main products comprise IC,Modules,Potentiometer,IC Socket,Relay,Connector.Our parts cover such applications as commercial,industrial, and automotives areas.

We are looking forward to setting up business relationship with you and hope to provide you with the best service and solution. Let us make a better world for our industry!



Contact us

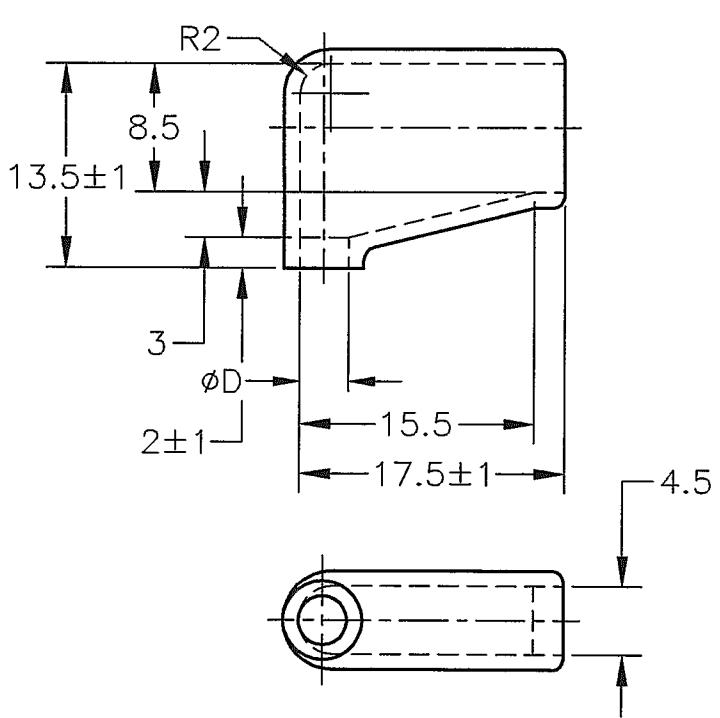
Tel: +86-755-8981 8866 Fax: +86-755-8427 6832

Email & Skype: info@chipsmall.com Web: www.chipsmall.com

Address: A1208, Overseas Decoration Building, #122 Zhenhua RD., Futian, Shenzhen, China



LOC	DIST	REVISIONS 変更						
J	-	P	LTR	DESCRIPTION	ECN	DATE	DWN	APVD
		B		REVISED FJDO-0359-04		7 OCT '04	Y.Y	N.Y



X-170892-X	SEE 170892
X-170893-X	SEE 170893
X-170887-X	SEE 170887
X-170889-X	SEE 170889
X-170888-X	SEE 170888
X-170890-X	SEE 170890
X-170823-X	SEE 170823
AMP PN	REMARK

- 1. 材質：SS-108（一般）
- 2. 一般公差：±0.5
- 3. 適用製品規格は無し
- △ 品川商工発行のカタログと本図で寸法が異なる場合は本図を優先する。

- 1. MATERIAL:SS-108(GENERAL)
- 2. GENERAL TOLERANCE: ±0.5
- 3. APPLICABLE PRODUCT SPEC NOT AVAILABLE
- △ IN THE EVENT OF CONFLICT BETWEEN THE REQUIREMENTS OF THIS CUSTOMER DRAWING AND THE SHINAGAWA SHOKO CO LTD CATALOG THIS CUSTOMER DRAWING SHALL TAKE PRECEDENCE

CLEAR	1± 0.3	4.8	248548	170891-2
		3.2	248532	170891-1
COLOR	THICKNESS	φD	SHINAGAWA SHOKO PN	AMP PN

THIS DRAWING IS UNPUBLISHED. ALL RIGHTS RESERVED. BY TYCO ELECTRONICS CORPORATION.

DIMENSIONS: 単位： 精 mm	
TOLERANCES UNLESS OTHERWISE SPECIFIED: 一般公差	
0 PLC	± -
1 PLC	± -
2 PLC	± -
3 PLC	± -
4 PLC	± -
ANGLES	± -

DWN	31 AUG 00	A.YAMAGUCHI
CHK	31 AUG 00	D.MATSUURA
APVD	31 AUG 00	K.BETSUI
PRODUCT SPEC	製品規格	
APPLICATION SPEC	取付適用規格	
WEIGHT		

WIRE RANGE 包含電線断面積		INSULATION DIA 被覆外径	
MATERIAL 材料		FINISH 仕上	
Tyco Electronics AMP K.K. Kawasaki, Japan			
NAME 名称 FLAG TYPE CONNECT SLEEVE FOR 250 SERIES			
SIZE	CAGE CODE	DRAWING NO 番号	RESTRICTED TO
A4	00779	170891	-